

5kV, 4mm Sheathed Banana Jack, Panel Mount, M3 Threaded Hole

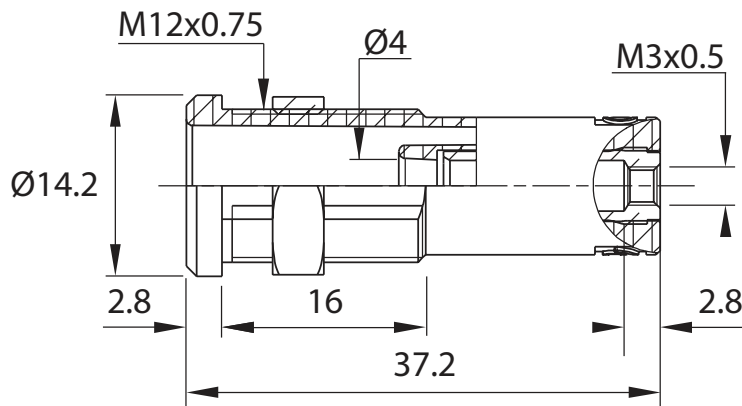
CT4406-#



Features:

- 1,000 V CAT IV, 5 kV non-category with 2 kV transient overvoltage
- M3 Threaded hole termination
- 10 A Max
- Panel mount
- CE listed
- RoHS 2 compliant

Measurement Drawing: (dimensions in mm, not to scale)



Description:

The CT4406 operates up to 5 kV when used in non-category environments with transient overvoltages up to 2 kV.^a This jack also extends the rating of our 4mm Sheathed Banana Jacks to 1,000 V CAT IV.^b

For use only with Cal Test's Long-Reach High Voltage Test Leads, CT3018 or CT3020. The jack offers an M3 threaded hole for connections. The jack fits into both plastic and metal panels fixed with a 14.5 mm hex panel nut.

The CT4406 is available in 2 colors.

a. Never hold or touch equipment while connected to live voltages.

b. Must be used in conjunction with other similarly rated products.

Order Information:

CT4406-#

5kV, 4mm Sheathed Banana Jack, Panel Mount, M3 Threaded Hole

- Color - replace '-#' with dash number:
-0 Black, -2 Red

Contact Info:

Toll Free: 800-572-1028 (US Only)

Phone: 714-221-9330

Fax: 714-921-9849

22820 Savi Ranch Parkway

Yorba Linda, CA 92887-4610 USA

www.caltestelectronics.com

CE

Copyright © 2020, Cal Test Electronics, Inc. All rights reserved. Information in this publication supersedes that in all previously published material. Trade names referenced are the service marks, trademarks or registered trademarks of their respective companies.