

96PSA-A65W19P2-1

Adapter Power Supply



Features

- Widely input range from 100 to 240 VAC
- High efficiency up to 88%
- Common safety for CUL (UL 609501 2nd) / CB (IEC 609501 2nd) / CCC / CE / CU / GS (EN 609501) / BSMI / KC / CTick / PSB / RCM / IRAM / Efficiency Level
- Compact Size: 108 mm x 46 mm x 29.5 mm

General

Advantech Part Number	96PSA-A65W19P2-1
Description	Delta A/D 100240V 65W 19VAdapter
Manufacturer	Delta Electronics

Output Specifications

Output Power	65W
Output Voltage & Current	19VDC@3.4A
Efficiency (%)	85% minimum
Main Connector	Signal

Mechanical

Form Factor	N/A
Dimension (L x W x H)	108x46x29.5mm
Vibration	0.015g ² /Hz at 5100 Hz
MTBF	150,000 hours at 25°C
Fan Function	NO
Power Switch Function	NO

Input Specifications

Input Voltage Range	100 - 240V
Input Current	1.5 A Max. @ 100VAC input voltage
Input Frequency	50/60Hz
PFC Function	W/O PFC
Input Current Type	AC to DC

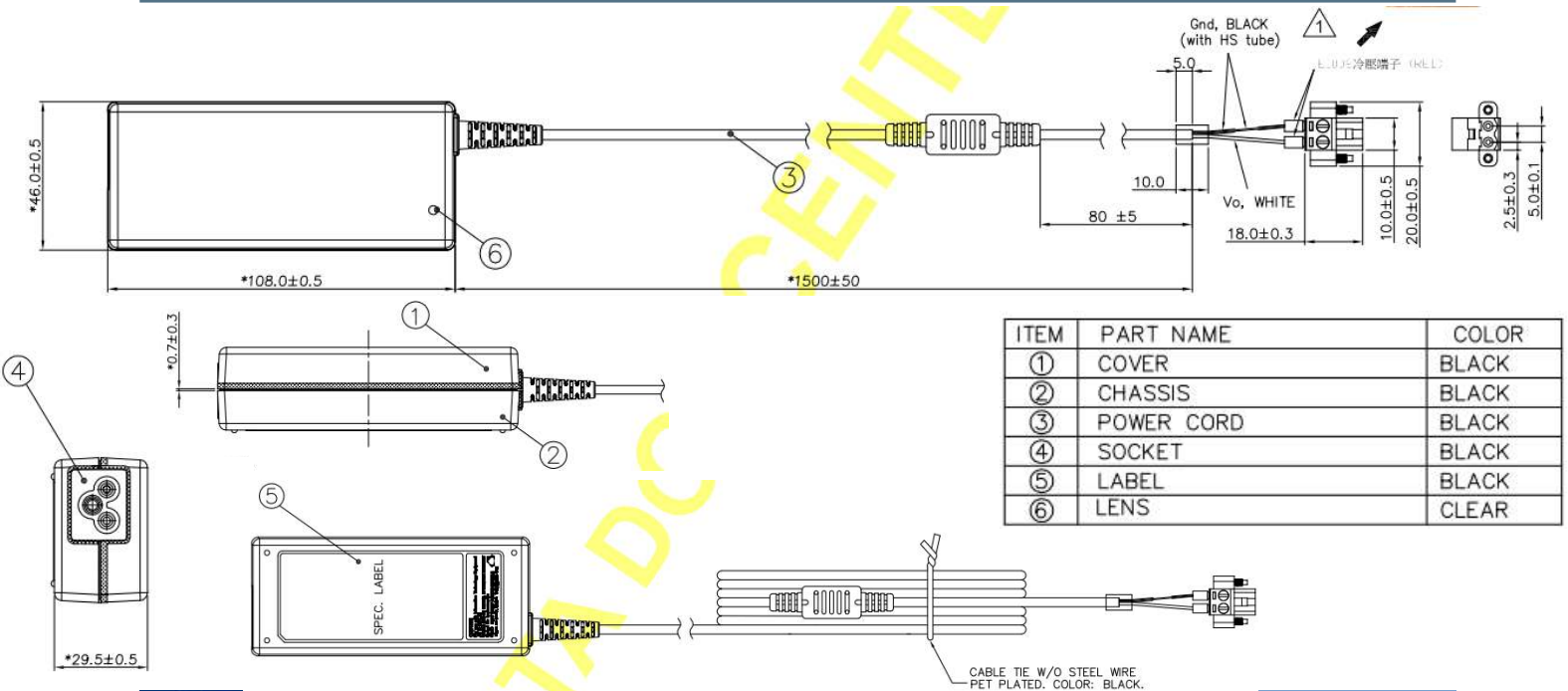
Environmental Specification

Storage Temp.	-20 to +65°C
Storage Humidity	10 – 90% RH
Operating Temp. (°C)	0 to + 40°C

Safety

Safety & EMC	Class B
Max Temp. (°C) @ Load	N/A
Safety Standard	CUL (UL 609501 2nd) / CB (IEC 609501 2nd) / CCC / CE / CU / GS (EN 609501) / BSMI / KC / CTick / PSB / RCM / IRAM / Efficiency Level VI
RoHs	YES

Drawing



ITEM	PART NAME	COLOR
①	COVER	BLACK
②	CHASSIS	BLACK
③	POWER CORD	BLACK
④	SOCKET	BLACK
⑤	LABEL	BLACK
⑥	LENS	CLEAR