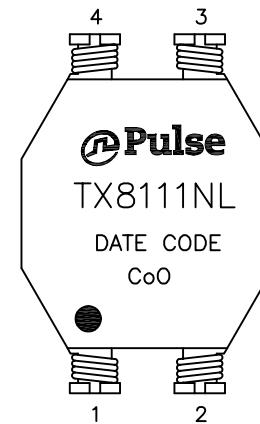
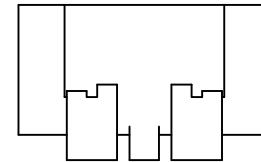
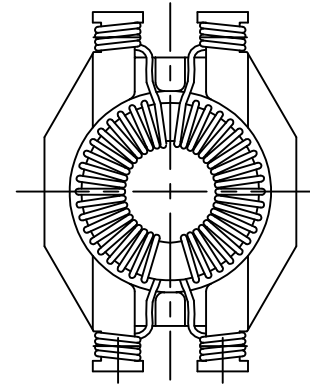


NOTES:

1. ROHS COMPLIANT
2. PLASTIC: THERMOPLASTIC MATERIAL WITH FLAMMABILITY RATING UL 94V-0 OR BETTER.
3. STORAGE TEMPERATURE: -50°C TO +125°C
4. COMPLIANCE TO J-STD:
  - A. J-STD-002: SOLDERABILITY AT 245°C REFLOW PROFILE
  - B. J-STD-020: LEVEL 1, NO MOISTURE SENSITIVE
  - C. J-STD-075: R7, 245°C MAXIMUM THROUGH REFLOW SOLDER
5. TO ORDER TAPE & REEL PACKAGING ADD A "T" SUFFIX TO THE PART NUMBER(i.e TX8111NL BECOMES TX8111NLT).

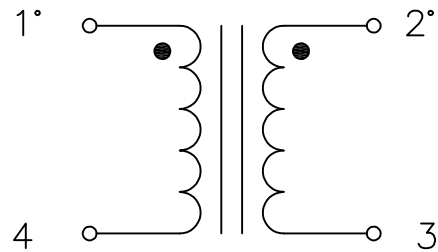


FINAL OUTLINE

© Copyright, 2015. Pulse Electronics Corp. All rights reserved. Pulse confidential & proprietary. (12/23/15)

PRODUCT DESCRIPTION	TLA DRAWING	PS DRAWING	SHEET	PART NO.	DATASHEET REV.
CMI 2 x 51 uH - SHASTA	TX8111NL-11	-	1 OF 3	TX8111NL	A

ELECTRICAL CHARACTERISTICS MEASURED AT 25°C :  
(FOR REFERENCE ONLY. USED FOR CUSTOMER INFORMATION.)

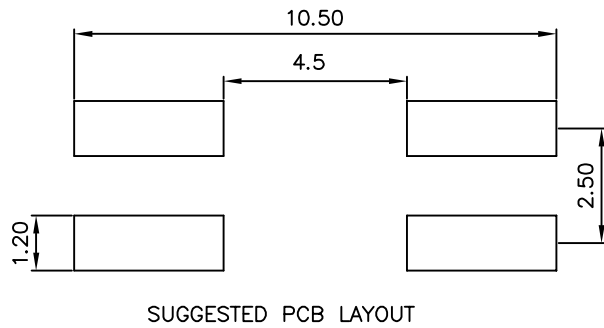


SCHEMATIC

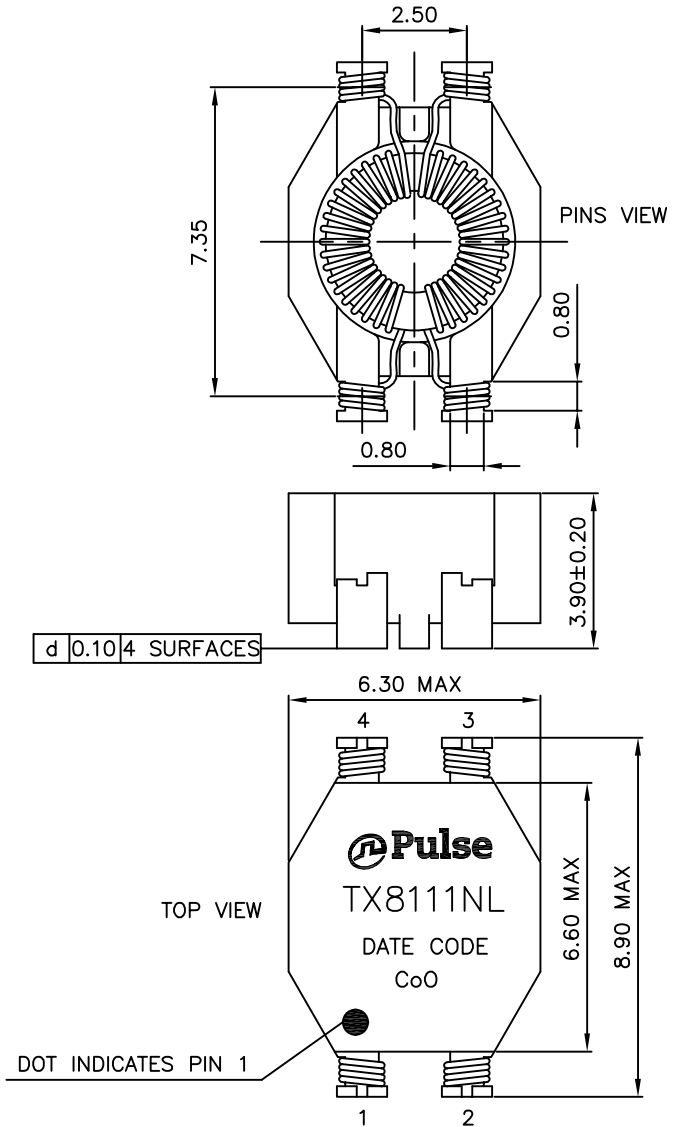
PARAMETER	SPECIFICATION
OPERATING TEMPERATURE	-40°C TO +85°C
URNS RATIO @100KHz, 0.1VRMS	$\frac{(1^*-4)}{(2^*-3)} = 1.0 \pm 5\%$
OPEN CIRCUIT INDUCTANCE (OCL) @100KHz, 0.005VRMS	$(1^*-4) = 51\mu\text{H} \begin{matrix} +50\% \\ -30\% \end{matrix}$
LEAKAGE INDUCTANCE (LL): @100 KHz, 0.01 VRMS	$(1^*-4)$ WITH $(2^*-3)$ SHORTED = 2 $\mu\text{H}$ NOMINAL = 3 $\mu\text{H}$ MAXIMUM
DCR	$(1^*-4) = (2^*-3) = 0.2 \text{ OHM MAXIMUM.}$
HIPOT	500 VAC FOR 6 SECONDS

© Copyright, 2015. Pulse Electronics Corp. All rights reserved. Pulse confidential & proprietary. (12/23/15)

PRODUCT DESCRIPTION	TLA DRAWING	PS DRAWING	SHEET	PART NO.	DATASHEET REV.
CMI 2 x 51 $\mu\text{H}$ - SHASTA	TX8111NL-11	-	2 OF 3	TX8111NL	A



DIMENSIONS ARE IN MILLIMETERS WITH THE FOLLOWING TOLERANCES:  
 X.X= ±0.5  
 X.XX= ±0.25



© Copyright, 2015. Pulse Electronics Corp. All rights reserved. Pulse confidential & proprietary. (12/23/15)

PRODUCT DESCRIPTION	TLA DRAWING	PS DRAWING	SHEET	PART NO.	DATASHEET REV.
CMI 2 x 51 uH – SHASTA	TX8111NL-11	–	3 OF 3	TX8111NL	A