



## BOARD LEVEL COOLING – Plug In 5600

Plug In 5600 is a series of plug in channel board level heat sinks designed to cool multiwatt and SIP devices. Representative image only.

## ORDERING INFORMATION

Part Number	Device Type
566010B00000G	Multiwatt, SIP
566010B03400G	Multiwatt, SIP

## HEAT SINK DETAILS

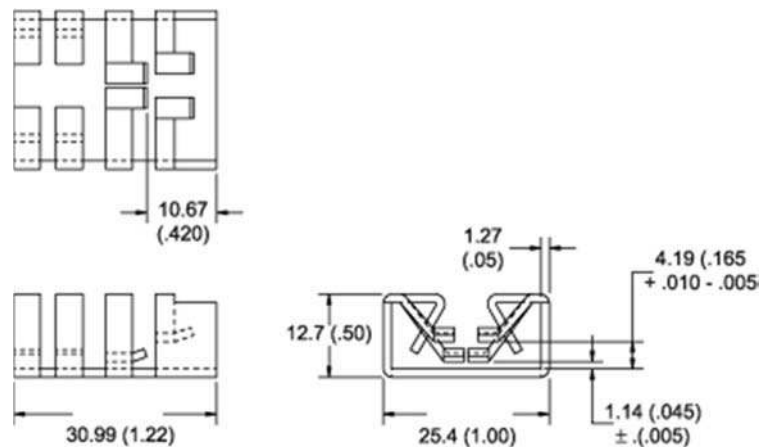
Property	Details
Material	Aluminum
Finish	Black Anodize
Device Attachment Options	Integrated Spring Action Clips
Thermal Interface Material	-

Property	Details
Heat Sink Width (mm)	25.40
Heat Sink Length (mm)	12.70
Heat Sink Height (mm)	30.99
Heat Sink Mounting Direction	Horizontal, Vertical

## MECHANICAL & PERFORMANCE

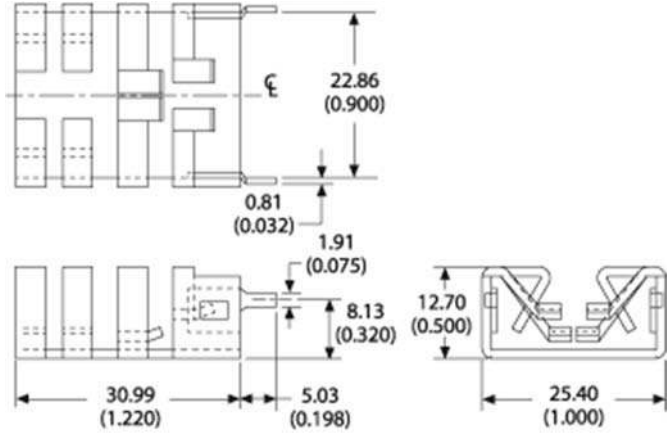
Drawing dimensions are shown in mm, (in)

Part Number: 566010B00000G



Part Number: 566010B03400G

Mounting Details:



Part Number	"X" Dim	"Y" Dim	"Z" Dim
566010B03400G	11.43	8.13	1.91

