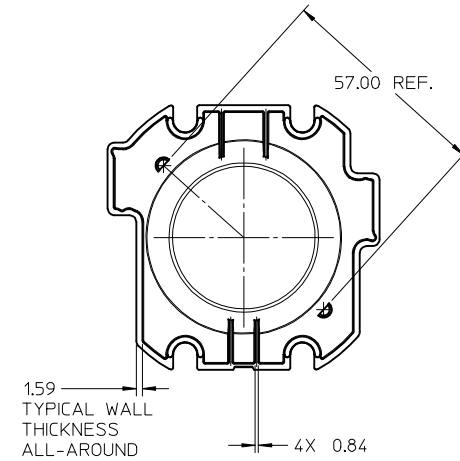
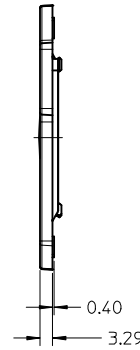
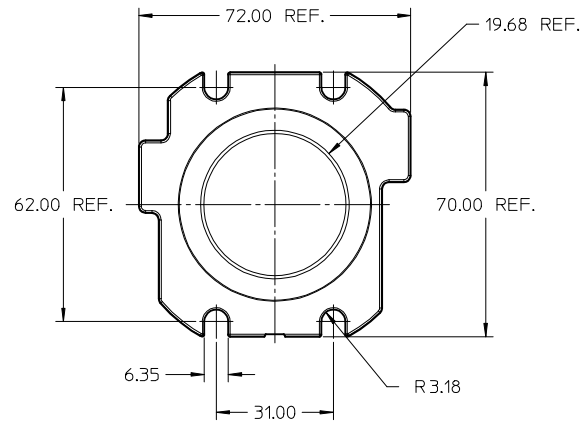
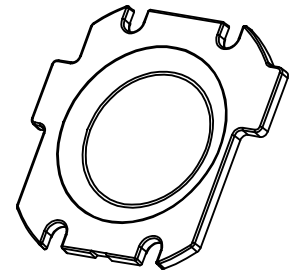
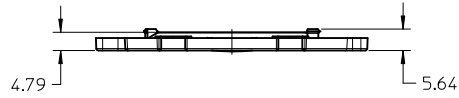


- NOTES:  
 1. MATERIAL: CLEAR POLYCARBONATE UL94HB.  
 2. THIS PRODUCT IS ELV AND ROHS COMPLIANT.

INITIAL RELEASE EC NO: SSL2013-0009 DRAWN: MDEVITO 2012/07/24 CHKD: CCARRANZA 2012/07/24 APPR: DMCGOWAN 2012/07/25	QUALITY SYMBOLS ▽=0 ▽=0 ▽=0	GENERAL TOLERANCES (UNLESS SPECIFIED)		DIMENSION STYLE <b>MM ONLY</b>		SCALE <b>1:1</b>	DESIGN UNITS <b>METRIC</b>	THIRD ANGLE PROJECTION		
				mm	INCH	DRAWN BY DATE MDEVITO 2012/07/24		TITLE <b>BRIDGELUX RS LED HOLDER LENS (SALES)</b>		
				±0.13	±---	CHECKED BY DATE CCARRANZA 2012/07/24				
				±0.25	±---	APPROVED BY DATE DMCGOWAN 2012/07/25				
		ANGULAR ±1/2°		MATERIAL NO. <b>1801820000</b>		DOCUMENT NO. <b>SD-180182-0000</b>				
1	DESCRIPTION	DRAFT WHERE APPLICABLE MUST REMAIN WITHIN DIMENSIONS		SIZE C		THIS DRAWING CONTAINS INFORMATION THAT IS PROPRIETARY TO MOLEX INCORPORATED AND SHOULD NOT BE USED WITHOUT WRITTEN PERMISSION				



- NOTES:  
 1. MATERIAL: CLEAR POLYCARBONATE UL94HB.  
 2. THIS PRODUCT IS ELV AND ROHS COMPLIANT.

INITIAL RELEASE EC NO: SSL2013-0009 DRAWN: MDEVITO 2012/07/24 CHKD: CCARRANZA 2012/07/24 APPR: DMCGOWAN 2012/07/25	QUALITY SYMBOLS ▽=0 ▽=0 ▽=0	GENERAL TOLERANCES (UNLESS SPECIFIED)		DIMENSION STYLE <b>MM ONLY</b>		SCALE <b>1:1</b>	DESIGN UNITS <b>METRIC</b>	THIRD ANGLE PROJECTION		
			mm	INCH	DRAWN BY MDEVITO	DATE 2012/07/24	TITLE <b>BRIDGELUX RS LED HOLDER LENS (SALES)</b>			
		4 PLACES ± --- ± ---			CHECKED BY CCARRANZA	DATE 2012/07/24				
		3 PLACES ± --- ± ---			APPROVED BY DMCGOWAN	DATE 2012/07/25	MATERIAL NO. <b>1801820000</b>			
2 PLACES ± 0.13 ± ---			ANGULAR ±1/2°		DOCUMENT NO. <b>SD-180182-0000</b>		SHEET NO. 1 OF 1			
1 PLACE ± 0.25 ± ---			DRAFT WHERE APPLICABLE MUST REMAIN WITHIN DIMENSIONS		THIS DRAWING CONTAINS INFORMATION THAT IS PROPRIETARY TO MOLEX INCORPORATED AND SHOULD NOT BE USED WITHOUT WRITTEN PERMISSION					
0 PLACE ± --- ± ---										