

MATERIALS AND FINISHES:

BODY: BRASS
PLATED NICKEL

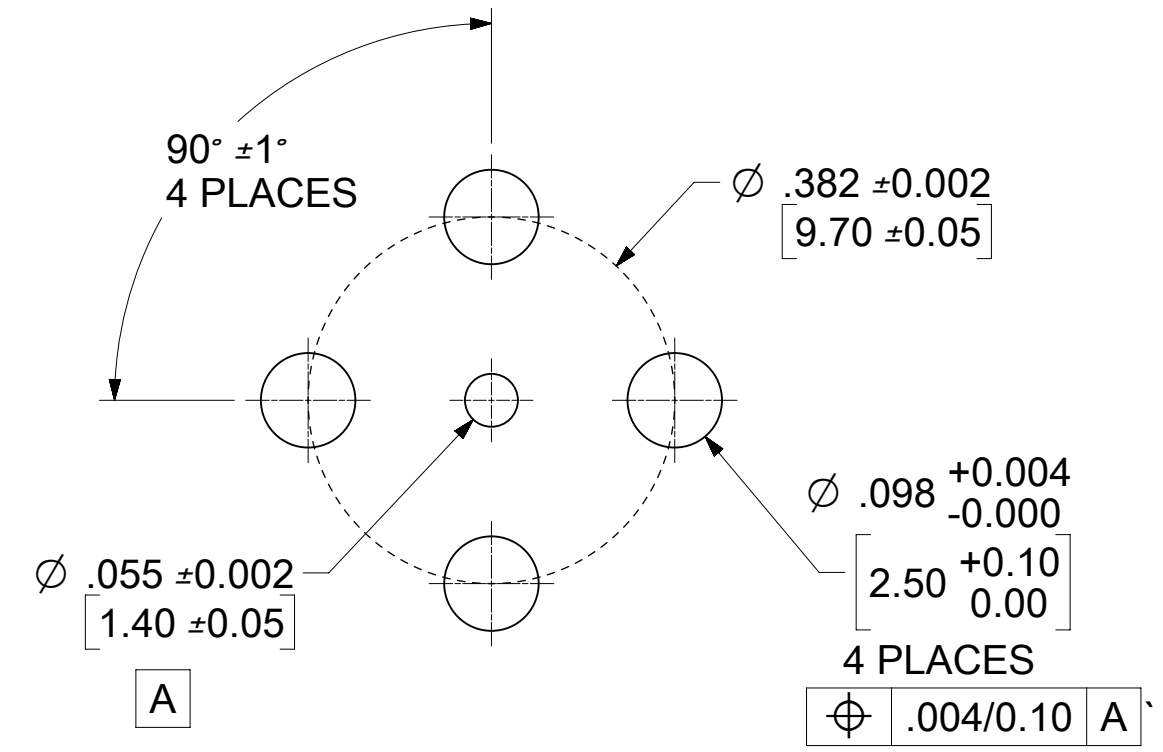
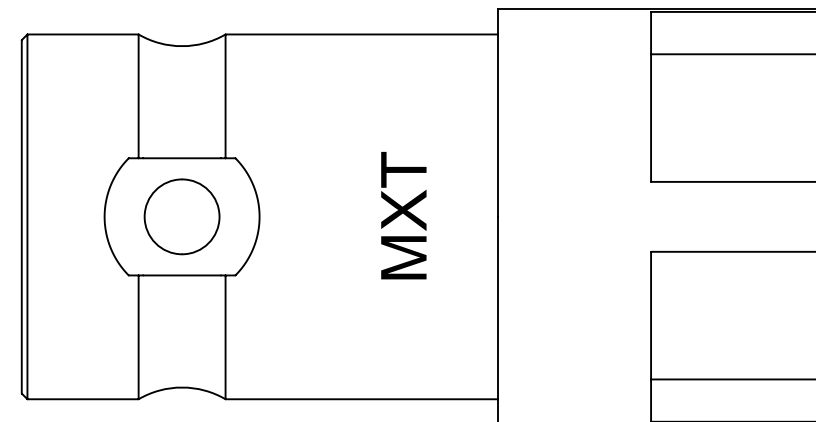
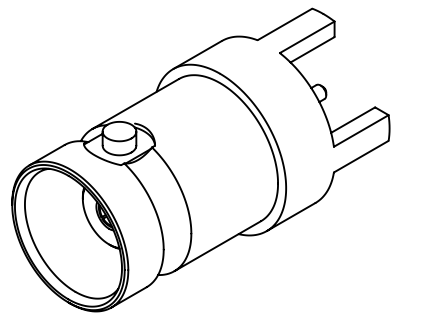
CENTER CONTACT: PHOSPHOR BRONZE
PLATED GOLD

INSULATOR: TEFLON

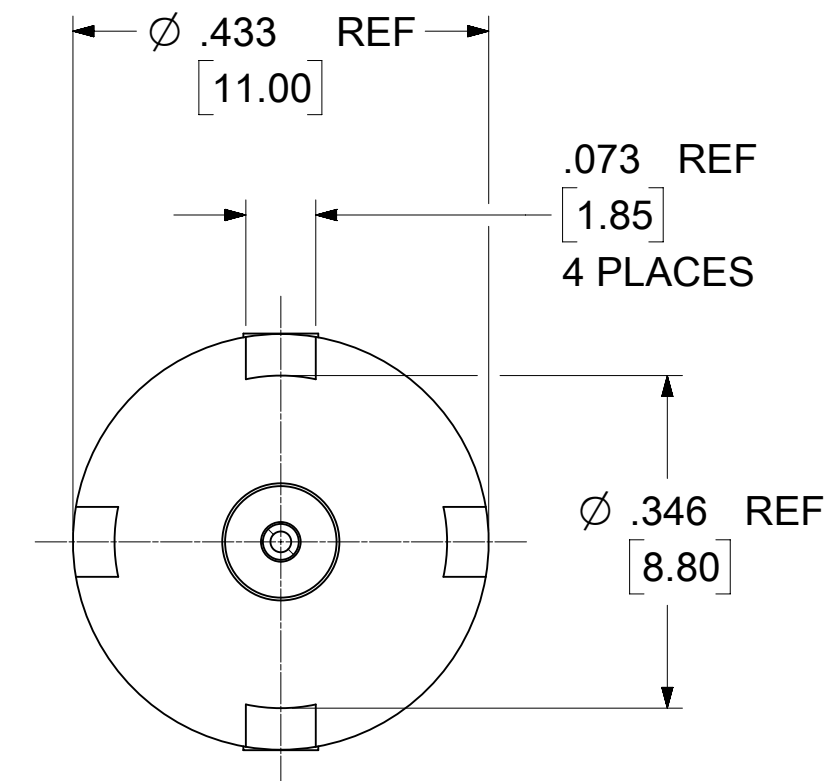
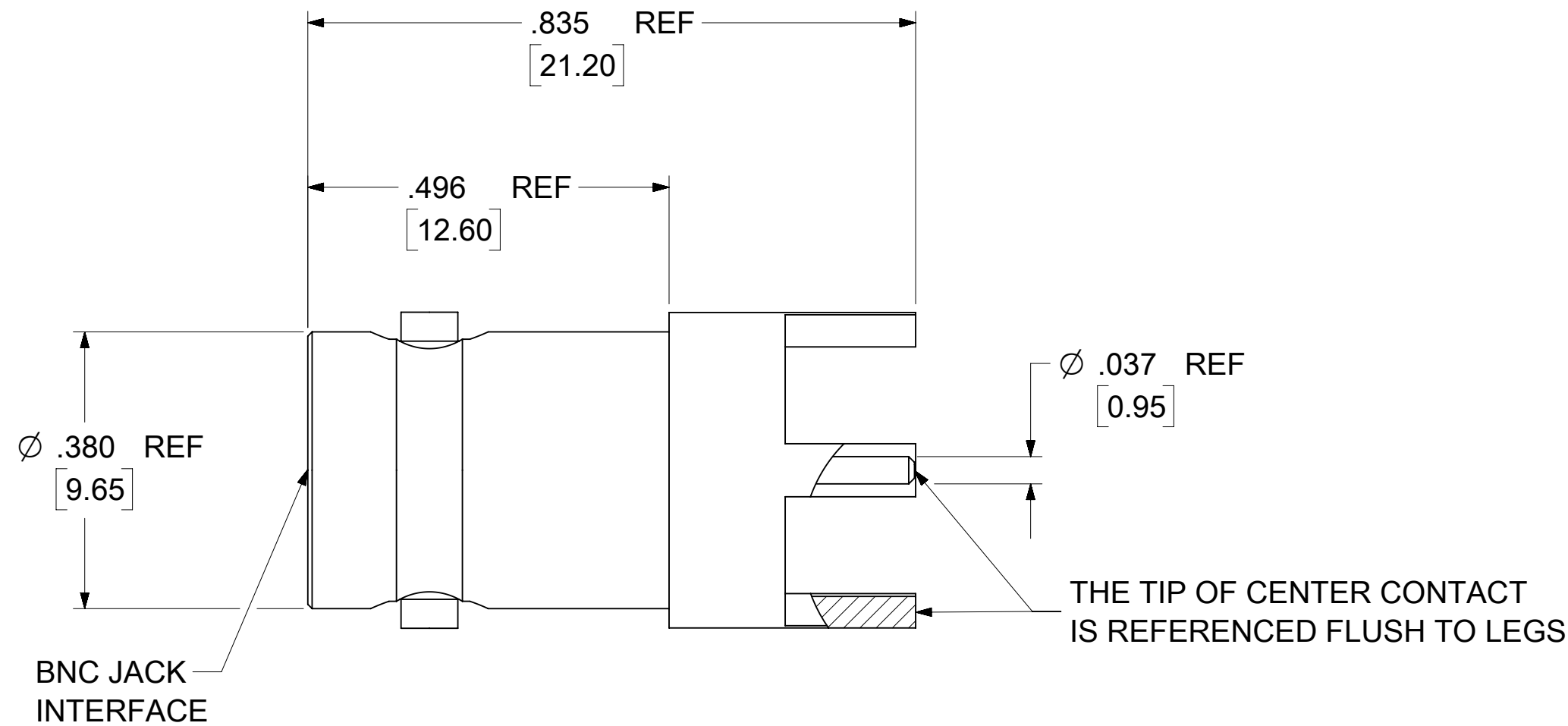
PRESS RING: BRASS
PLATED NICKEL

ELECTRICAL CHARACTERISTICS:

NOMINAL IMPEDANCE: 50Ω
FREQUENCY RANGE: DC-4 GHz
VSWR: 1.25 MAX
INSERTION LOSS: 0.3 dB



RECOMMENDED PCB PATTERN



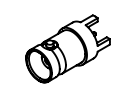
73171-3050	73100-0153, ONE PER BAG
73100-0153	TRAY
PART NO.	PACKAGING

PS-73598-0061	ELEC/MECH PERFORMANCE
SPECIFICATION	DESCRIPTION

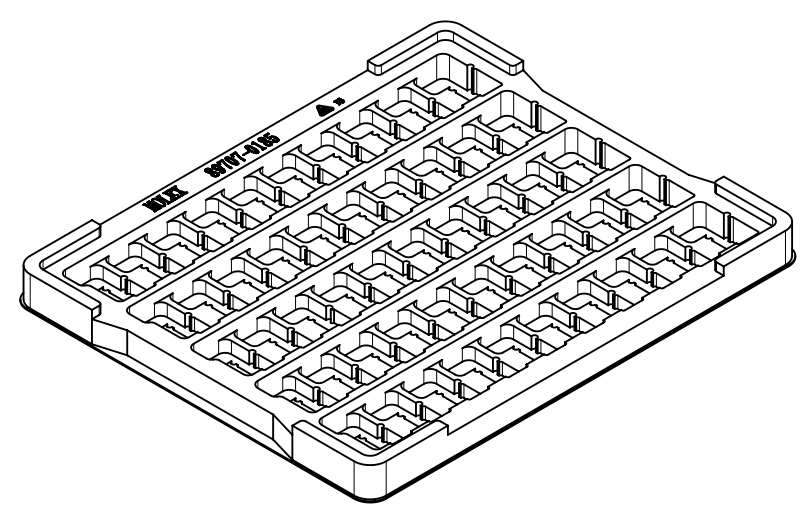
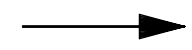
B2	2019/3/19	ADD ELECTRICAL CHARACTERISTICS
REV	DATE	DESCRIPTION
		ADD PACKING SHEETS PER EWR 12963-A

THIS DRAWING CONTAINS INFORMATION THAT IS PROPRIETARY TO MOLEX ELECTRONIC TECHNOLOGIES, LLC AND SHOULD NOT BE USED WITHOUT WRITTEN PERMISSION

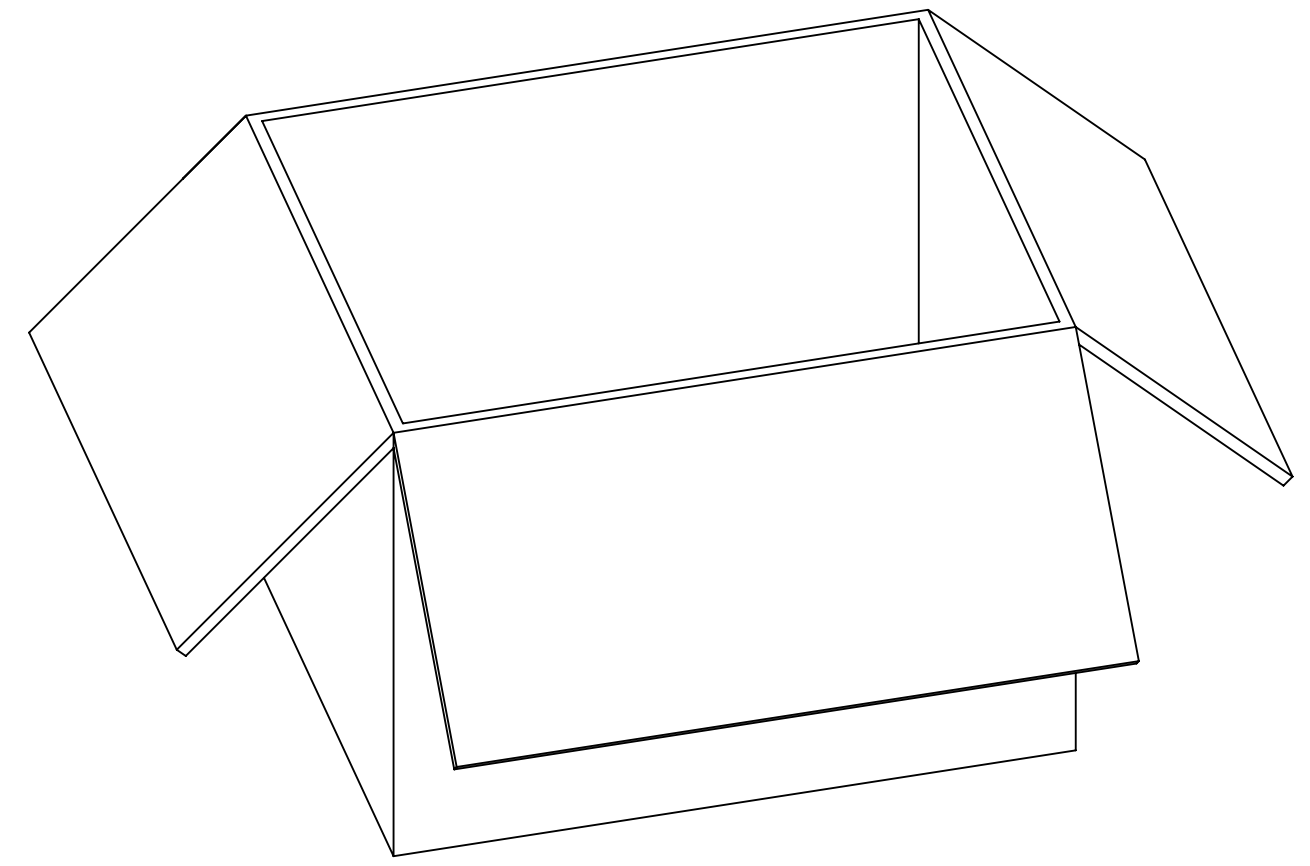
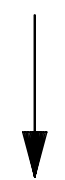
DIMENSION UNITS	SCALE	CURRENT REV DESC:	molex		
HYBRID	NTS				
GENERAL TOLERANCES (UNLESS SPECIFIED)			BNC JACK STR PCB TH 50 OHMS BNC-J/PCB		
ANGULAR TOL	± 2.0°	EC NO: 614092	PRODUCT CUSTOMER DRAWING		
4 PLACES	±	DRWN: RYEH 2019/03/13	DOCUMENT NUMBER		
3 PLACES	±	CHK'D: YCHENG 2019/05/02	SD-73100-0153		
2 PLACES	±	APPR: YCHENG 2019/05/02	DOC TYPE DOC PART REVISION		
1 PLACE	±	INITIAL REVISION:	PSD 001 B2		
0 PLACES	±	DRWN: AROBERTSON 2007/04/09	MATERIAL NUMBER		
DRAFT WHERE APPLICABLE MUST REMAIN WITHIN DIMENSIONS			GENERAL MARKET		
THIRD ANGLE PROJECTION			CUSTOMER		
DRAWING C-SIZE			SHEET NUMBER		
SERIES 73100			1 OF 3		



P/N: 73100-0153



50 SETS PER TRAY
P/N: 89707-0185



1000 SETS PER CARTON
P/N: 89499-9027

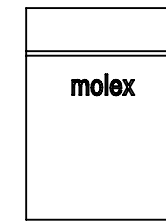
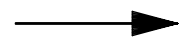
THIS DRAWING CONTAINS INFORMATION THAT IS PROPRIETARY TO MOLEX ELECTRONIC TECHNOLOGIES, LLC AND SHOULD NOT BE USED WITHOUT WRITTEN PERMISSION

DIMENSION UNITS		SCALE		CURRENT REV DESC:		molex				
HYBRID		NTS								
GENERAL TOLERANCES (UNLESS SPECIFIED)						BNC JACK STR PCB TH 50 OHMS BNC-J/PCB				
ANGULAR TOL ± 2.0°										
4 PLACES ±		EC NO: 614092		2019/03/13		PRODUCT CUSTOMER DRAWING				
3 PLACES ±		DRWN: RYEH		2019/05/02						
2 PLACES ±		CHK'D: YCHENG		2019/05/02		DOCUMENT NUMBER				
1 PLACE ±		APPR: YCHENG		2019/05/02						SD-73100-0153
0 PLACES ±		INITIAL REVISION:		2007/04/09		SEE TABLE		GENERAL MARKET	SHEET NUMBER	
DRAFT WHERE APPLICABLE MUST REMAIN WITHIN DIMENSIONS		THIRD ANGLE PROJECTION		DRAWING	SERIES			MATERIAL NUMBER	CUSTOMER	SHEET NUMBER
		C-SIZE		73100	SERIES	73100	GENERAL MARKET	SHEET NUMBER	2 OF 3	1

DOCUMENT STATUS	P1	RELEASE DATE	2019/05/02	08:43:10
-----------------	----	--------------	------------	----------



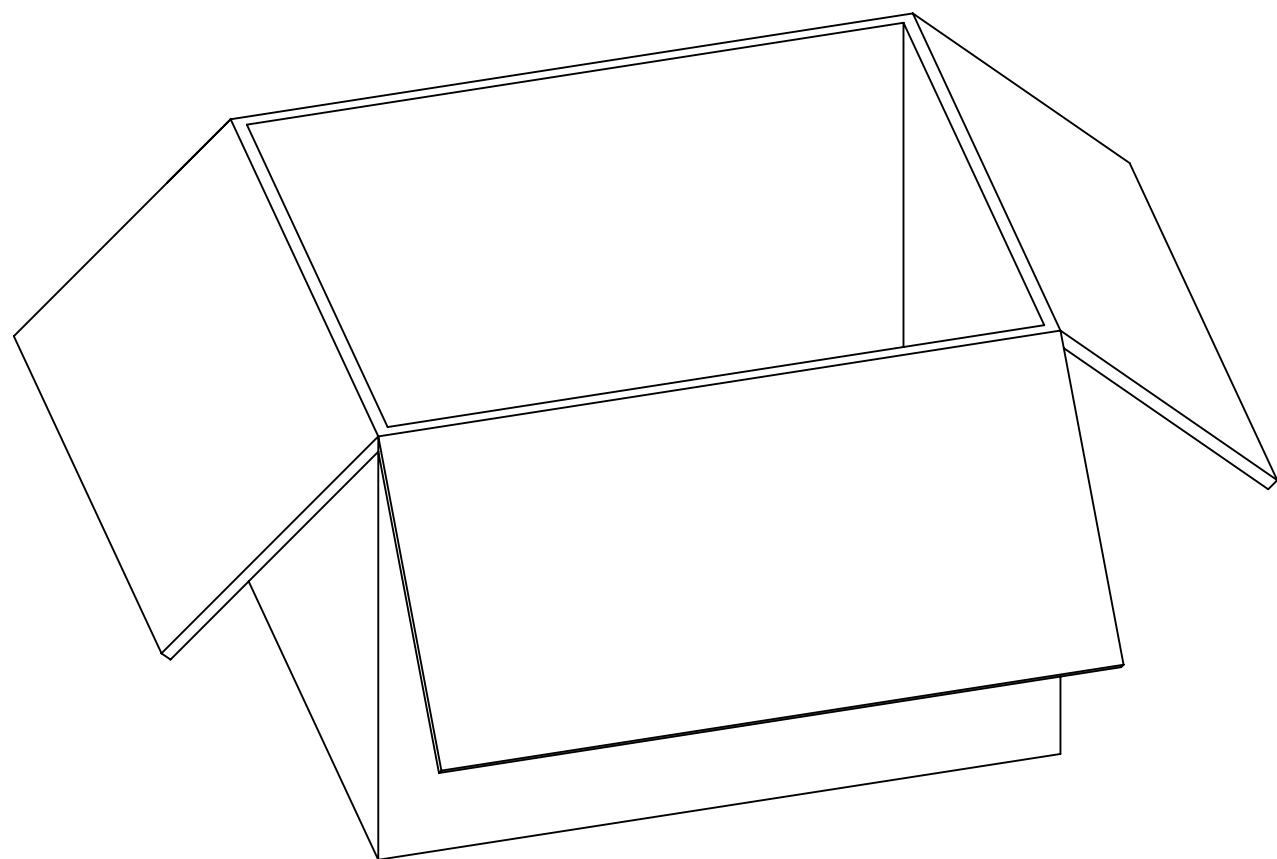
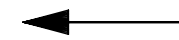
PN: 73171-3050



ONE PER BAG
P/N: 89707-0317



50 SETS PER BAG
P/N: 89707-0174



500 SETS PER CARTON
P/N: 89499-9027

THIS DRAWING CONTAINS INFORMATION THAT IS PROPRIETARY TO MOLEX ELECTRONIC TECHNOLOGIES, LLC AND SHOULD NOT BE USED WITHOUT WRITTEN PERMISSION

DIMENSION UNITS		SCALE		CURRENT REV DESC:				molex							
HYBRID		NTS													
GENERAL TOLERANCES (UNLESS SPECIFIED)				EC NO: 614092				BNC JACK STR PCB TH 50 OHMS BNC-J/PCB							
ANGULAR TOL ± 2.0°				DRWN: RYEH 2019/03/13											
4 PLACES ±				CHK'D: YCHENG 2019/05/02											
3 PLACES ±				APPR: YCHENG 2019/05/02				PRODUCT CUSTOMER DRAWING							
2 PLACES ±				INITIAL REVISION:				DOCUMENT NUMBER							
1 PLACE ±				DRWN: AROBERTSON 2007/04/09				SD-73100-0153							
0 PLACES ±				APPR: GHUBBARD 1993/03/17				DOC TYPE		DOC PART		REVISION			
DRAFT WHERE APPLICABLE MUST REMAIN WITHIN DIMENSIONS				THIRD ANGLE PROJECTION		DRAWING		SERIES		MATERIAL NUMBER		CUSTOMER		SHEET NUMBER	
						C-SIZE		73100		SEE TABLE		GENERAL MARKET		3 OF 3	

DOCUMENT STATUS	P1	RELEASE DATE	2019/05/02	08:43:10
-----------------	----	--------------	------------	----------