

MATERIALS AND FINISHES

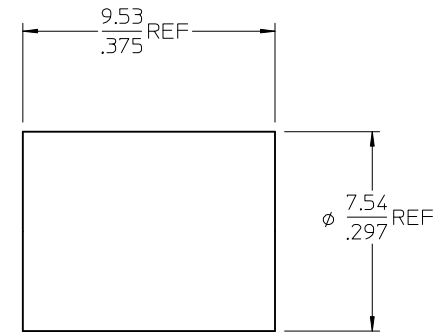
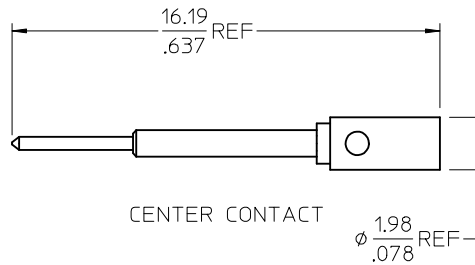
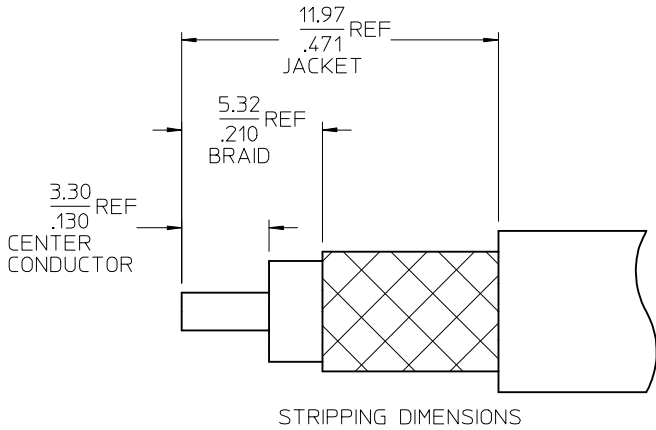
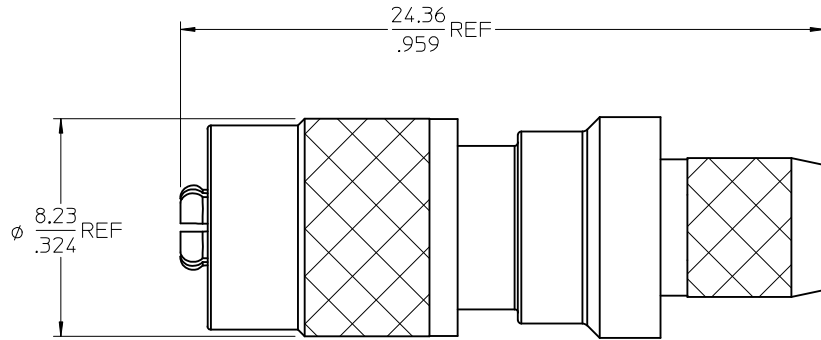
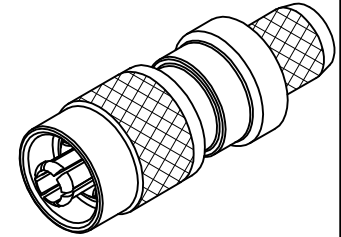
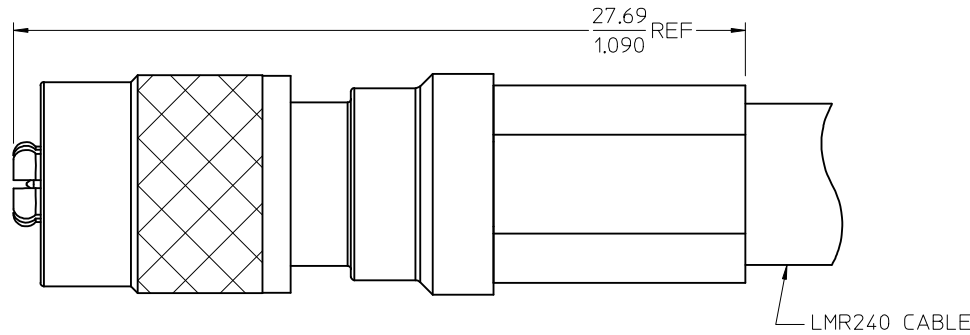
BODY, CRIMP TUBE, SLEEVE BRASS  
PLATED NICKEL

CENTER CONTACT PHOSPHOR BRONZE  
PLATED GOLD

INSULATOR TEFLON

OUTER CONTACT BERYLLIUM COPPER  
PLATED NICKEL

CRIMP TUBE: USE .128 HEX DIE



PART # 73174-0420

CHG: REDREW UPDATED BORDER EC NO: URF2006-0006 DRWN:SSHAH 2007/11/15 CHKD:SSHAH 2007/11/15 APPR:JWIENER 2007/11/15 REV: B1	QUALITY SYMBOLS ▽=0 ▽=0	GENERAL TOLERANCES (UNLESS SPECIFIED)		DIMENSION STYLE MM/IN		SCALE	DESIGN UNITS METRIC	THIRD ANGLE PROJECTION			
		4 PLACES ± --- ± ---	3 PLACES ± --- ± ---	2 PLACES ± --- ± ---	1 PLACE ± --- ± ---	DRAWN BY TEF	DATE 2004/05/19	TITLE 1.0/2.3 PLUG, PUSH LOCK FOR LMR240 CABLE, 50 OHMS EWR-2348, 1.0/2.3-PC			
		ANGULAR ± 2 °				CHECKED BY SSS	DATE 2004/05/19	MOLEX INCORPORATED			
		DRAFT WHERE APPLICABLE MUST REMAIN WITHIN DIMENSIONS				APPROVED BY GMH	DATE 2004/05/19	MATERIAL NO. 731740420	DOCUMENT NO. SD-73174-042	SHEET NO. 1 OF 1	

THIS DRAWING CONTAINS INFORMATION THAT IS PROPRIETARY TO MOLEX INCORPORATED AND SHOULD NOT BE USED WITHOUT WRITTEN PERMISSION

MATERIALS AND FINISHES

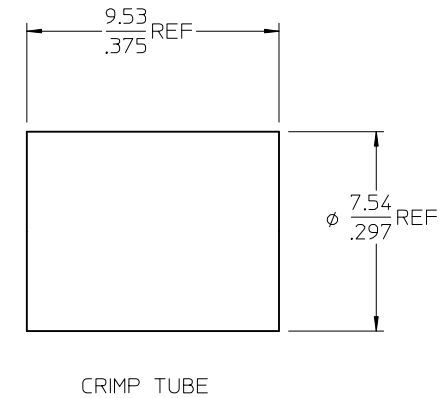
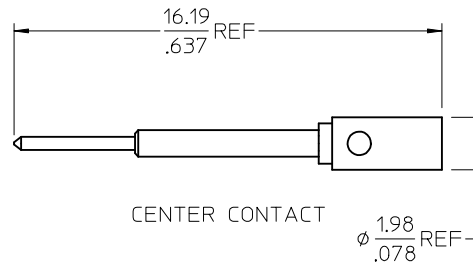
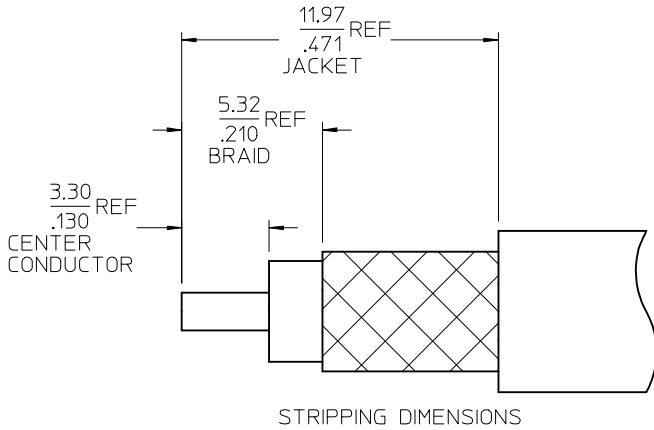
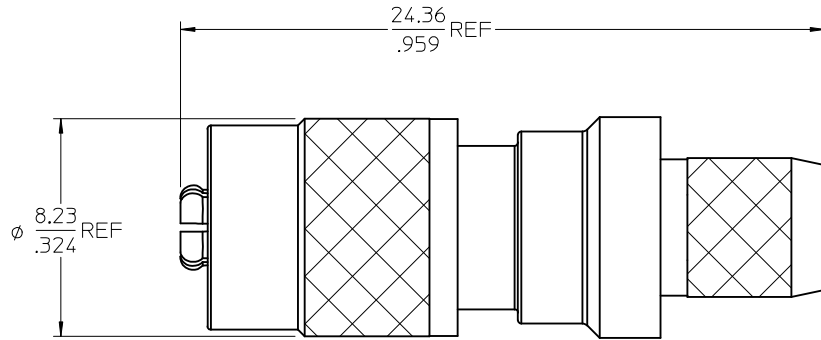
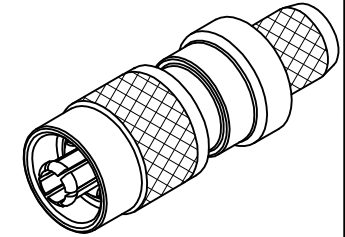
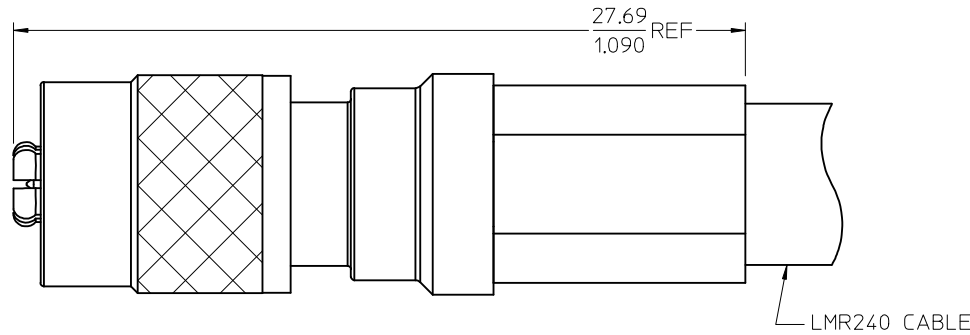
BODY, CRIMP TUBE, SLEEVE BRASS  
PLATED NICKEL

CENTER CONTACT PHOSPHOR BRONZE  
PLATED GOLD

INSULATOR TEFLON

OUTER CONTACT BERYLLIUM COPPER  
PLATED NICKEL

CRIMP TUBE: USE .128 HEX DIE



PART # 73174-0420

<b>CHG: REDREW UPDATED BORDER</b> EC NO: URF2006-0006 DRW:SSHAH 2007/11/15 CHKD:SSHAH 2007/11/15 APPR:JWIENER 2007/11/15 REV:	QUALITY SYMBOLS ▽=0 ▽=0	GENERAL TOLERANCES (UNLESS SPECIFIED) mm INCH 4 PLACES ± --- ± --- 3 PLACES ± --- ± --- 2 PLACES ± --- ± --- 1 PLACE ± --- ± --- ANGULAR ± 2 °	DIMENSION STYLE MM/IN DRAWN BY DATE TEF 2004/05/19 CHECKED BY DATE SSS 2004/05/19 APPROVED BY DATE GMH 2004/05/19	SCALE DESIGN UNITS METRIC	THIRD ANGLE PROJECTION	
	TITLE 1.0/2.3 PLUG, PUSH LOCK FOR LMR240 CABLE, 50 OHMS EWR-2348, 1.0/2.3-PC					
	DRAFT WHERE APPLICABLE MUST REMAIN WITHIN DIMENSIONS			MATERIAL NO. 731740420	DOCUMENT NO. SD-73174-042	SHEET NO. 1 OF 1
	THIS DRAWING CONTAINS INFORMATION THAT IS PROPRIETARY TO MOLEX INCORPORATED AND SHOULD NOT BE USED WITHOUT WRITTEN PERMISSION					