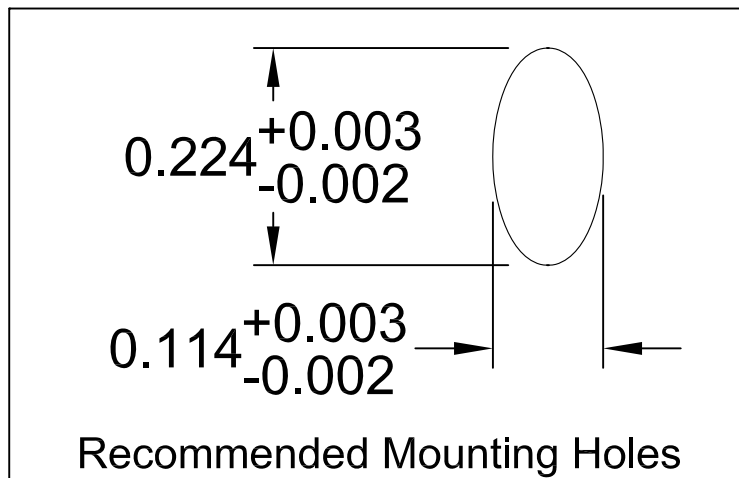
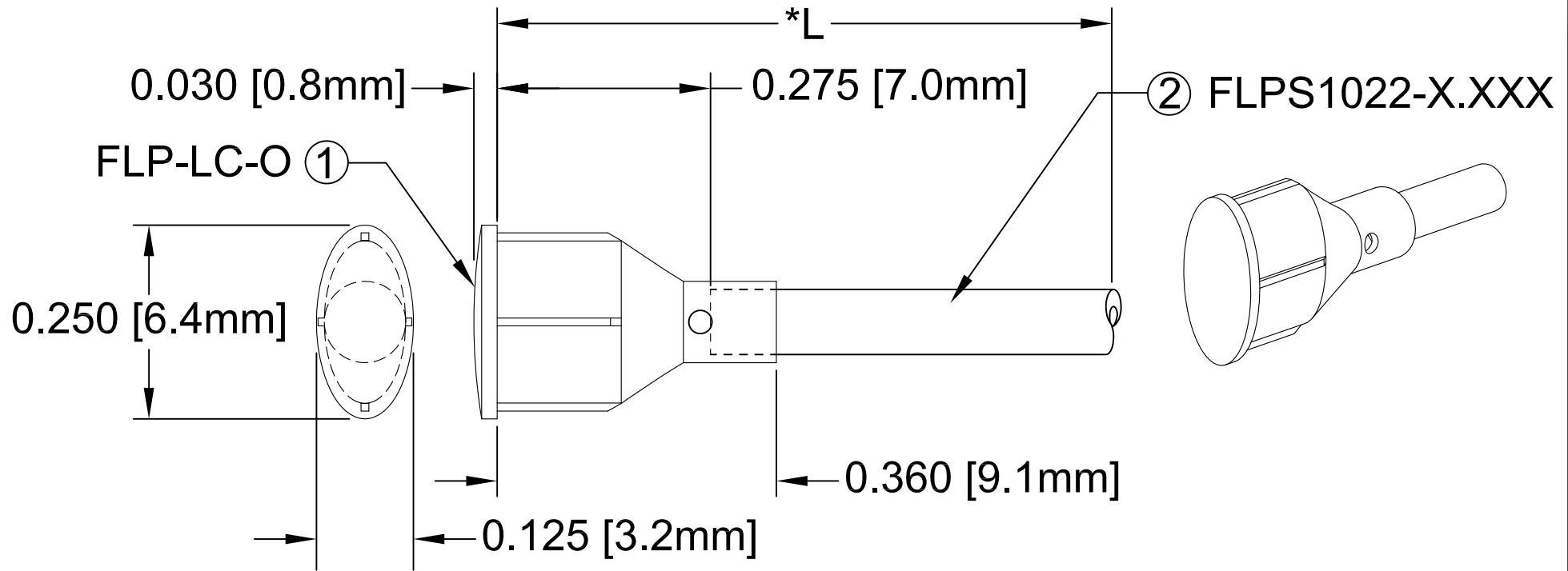


ITEM	Q'TY	PART NUMBER	PART DESCRIPTION
1	1	FLP-LC-O	HOLDER CAP, FLEXIBLE LIGHT-PIPE, OVAL
2	1	FLPS1022-X.XXX	LIGHT PIPE CABLE, CUT LENGTH IN INCHES

REV.	DESCRIPTION	DATE	APPROVED
B	Engineering Update w/o Changes	03/01/04	M. C.
C	Dimensioning Update w/o Changes	01/05/05	M. C.
D	Cable Length Update	09/18/06	M. C.
E	Updated Fiber In BOM	11/16/12	T. Y.



" L "	Tolerance
0.750" ~ 16.000"	±0.050"
16.100" ~ 40.000"	±0.150"
40.100" ~ 80.000"	±0.300"
80.100" ~ 3,940.0"	±0.5%

STANDARD TOLERANCE (UNLESS OTHERWISE SPECIFIED)		BIVAR [®] 4 THOMAS, IRVINE, CA. 92618 TEL: (949) 951-8808 FAX: (949) 951-3974	
DECIMALS	ANGULAR		
.X ±.1	X° ± 1°		TITLE: OVAL LENS CAP ASSEMBLY
.XX ±.02			PART NO: FLPO-XX.X
.XXX ±.010		DESIGNED: Shane Irving	REVISION: E
		DATE: 05/22/02	CAGE CODE : 32559
		CHECKED: M. Chen	SHEET # 1 OF 1
		DATE: 05/22/02	CAD GENERATED DOCUMENT, DO NOT MEASURE DRAWING.

*NOTE:
ALLOWABLE CUT LENGTH IS UP TO 3 DECIMAL PLACES.