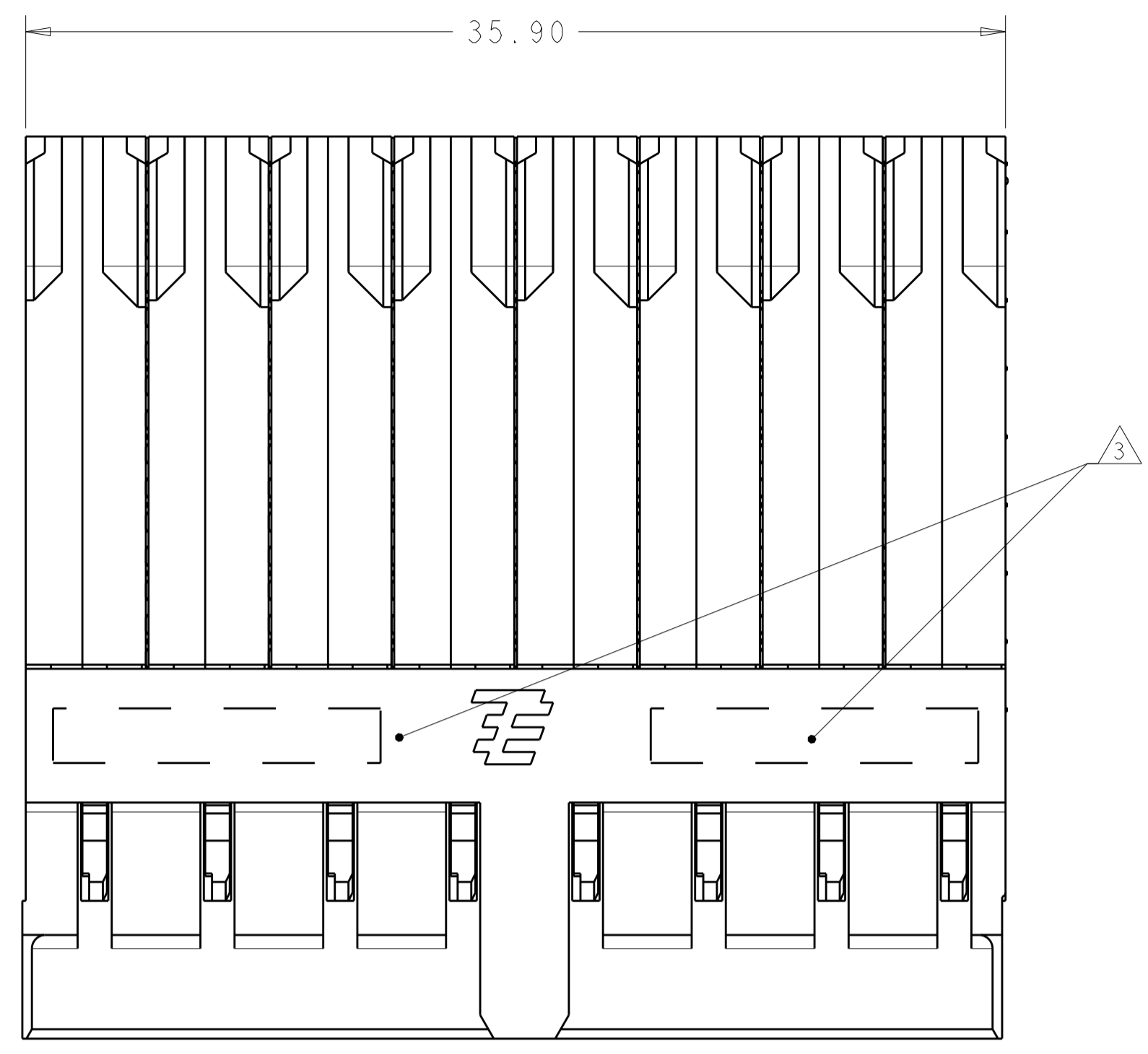
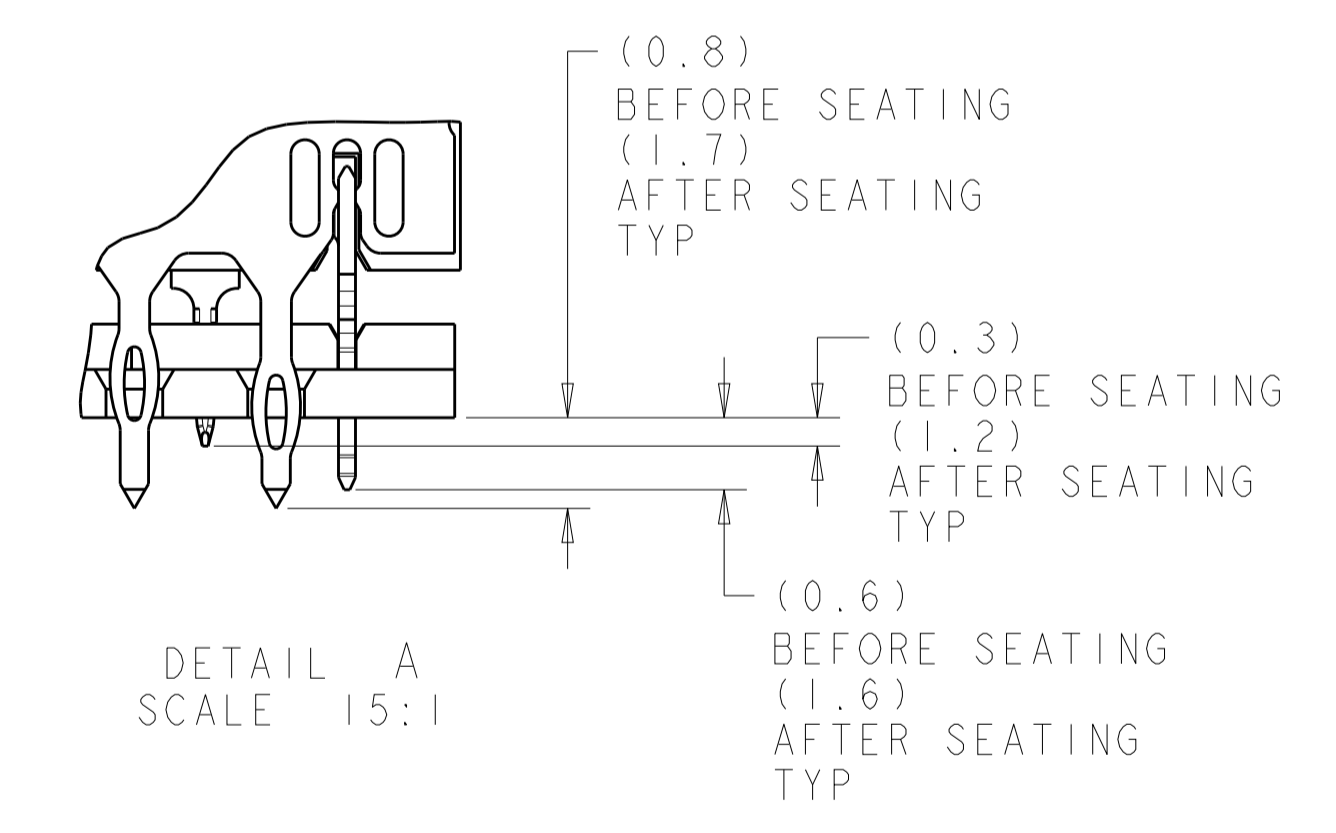
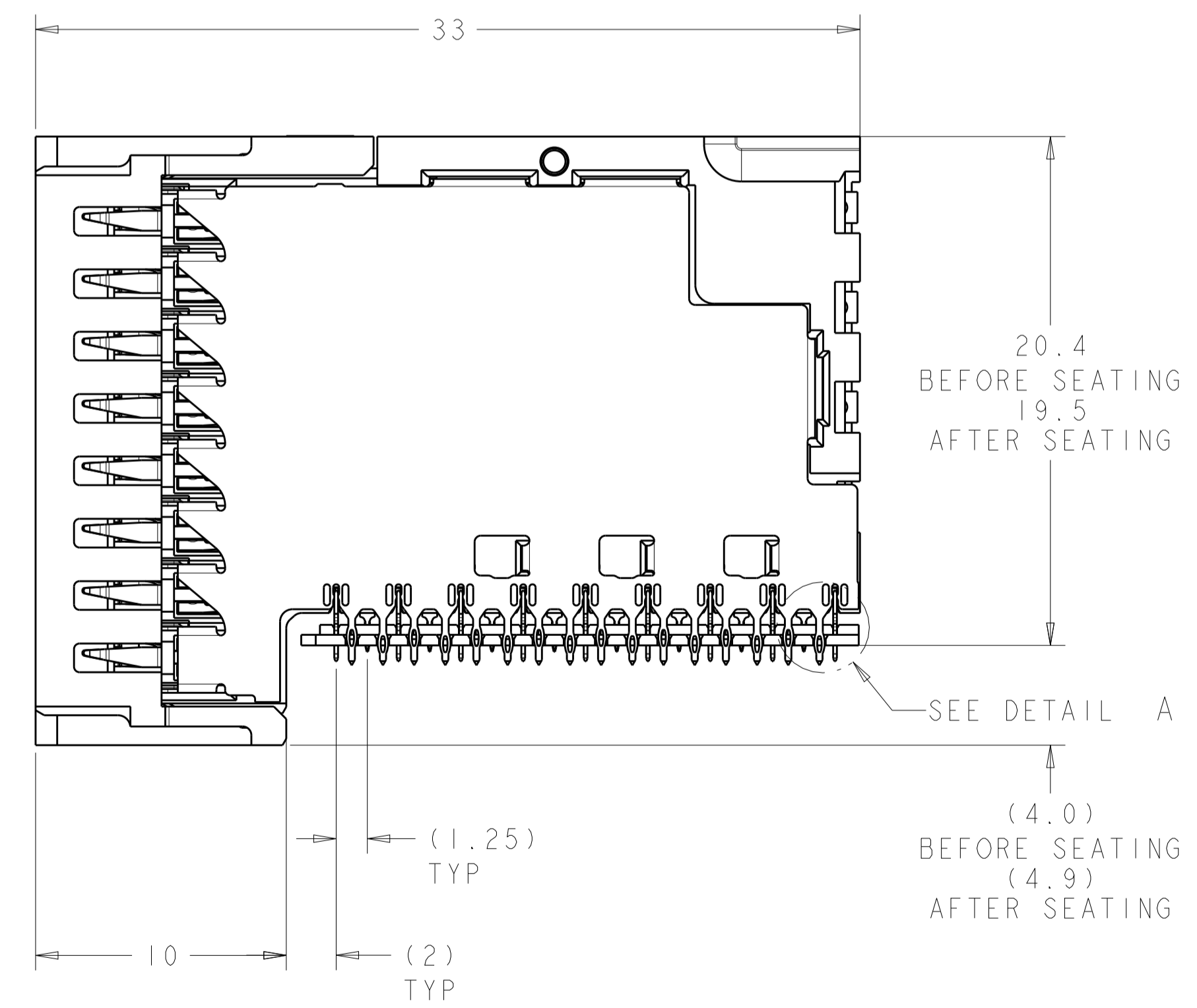
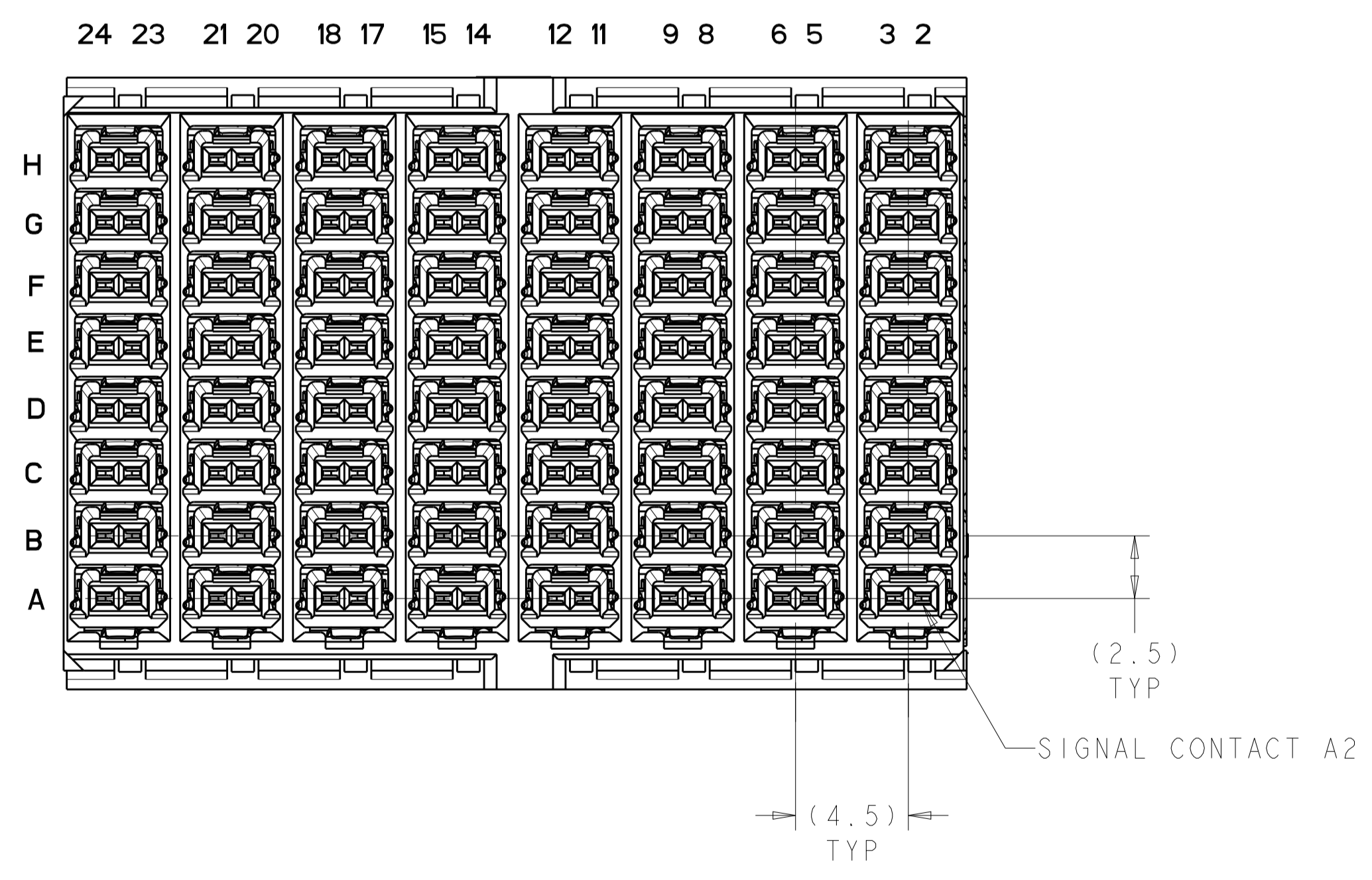


LOC	DIST	REVISIONS			
GP	00	REV	DATE	BY	APPV
		A	23MAR2014	RT	NS
		B	07JUL2014	LAW	NW
		C	10MAY2017	JM	SS



- 1 MATERIAL:
CONTACT AND SHIELD - COPPER ALLOY.
HOUSINGS, AND ORGANIZER - THERMOPLASTIC, UL 94V-0, BLACK.
- 2 CONFORMS TO REQUIREMENTS OF TE PRODUCT SPECIFICATION 108-2413 & 108-32037, BASED ON TELCORDIA GR-1217-CORE FOR SYSTEM QUALITY LEVEL III; APPLICATIONS IN CONTROLLED ENVIRONMENTS (CENTRAL OFFICE).
- 3 CONNECTOR MARKED WITH PART NUMBER, DATE CODE, MANUFACTURING LOCATION IDENTIFICATION CODE, AND 2D BARCODE IN APPROXIMATE AREA SHOWN.
- 4 CONTACT AREA LUBRICATED WITH BELLCORE APPROVED LUBRICANT. TECHNICAL REFERENCE: GR-1217-CORE, ISSUE 2, DECEMBER 2008.
- 5 PLATED THRU HOLE REQUIREMENTS:
FINISHED HOLE = $\varnothing 0.344 \pm 0.039$
DRILLED HOLE = $\varnothing 0.420 \pm 0.013$
COPPER THICKNESS = 0.038 ± 0.013
IMMERSION TIN IF APPLICABLE = 0.00051 ± 0.00013
- 6 PLATED THRU HOLE REQUIREMENTS:
FINISHED HOLE = $\varnothing 0.244 \pm 0.039$
DRILLED HOLE = $\varnothing 0.320 \pm 0.013$
COPPER THICKNESS = 0.038 ± 0.013
IMMERSION TIN IF APPLICABLE = 0.00051 ± 0.00013
- 7 PTH DIMENSIONS APPLY TO 1.00mm DEPTH FROM MOUNT SIDE OF PCB.
- 8 HOLE POSITION TOLERANCE APPLIES WITHIN PATTERN FOR CONNECTOR PATTERN TO CONNECTOR PATTERN, A 0.12 \varnothing POSITION TOLERANCE APPLIES.



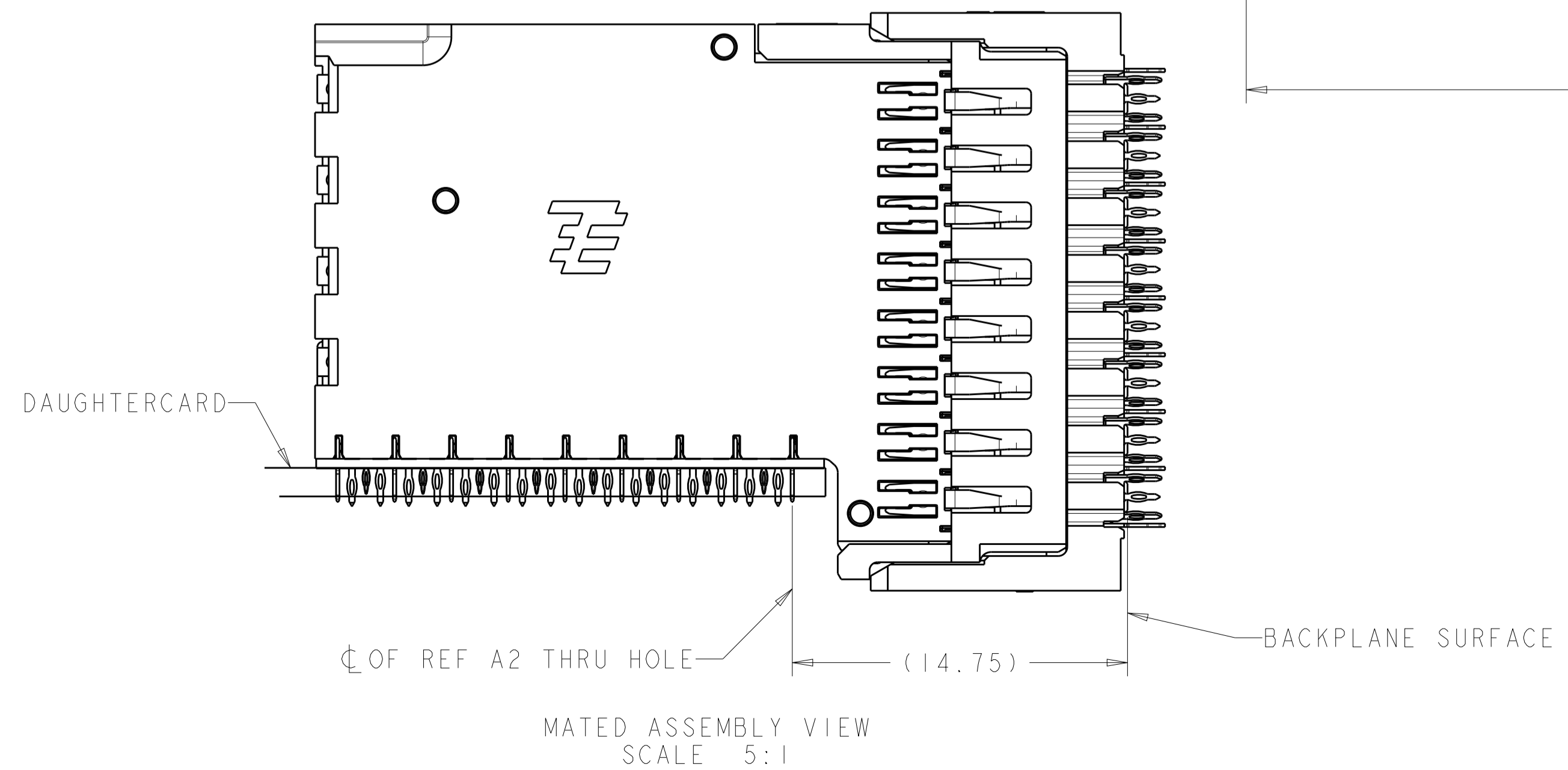
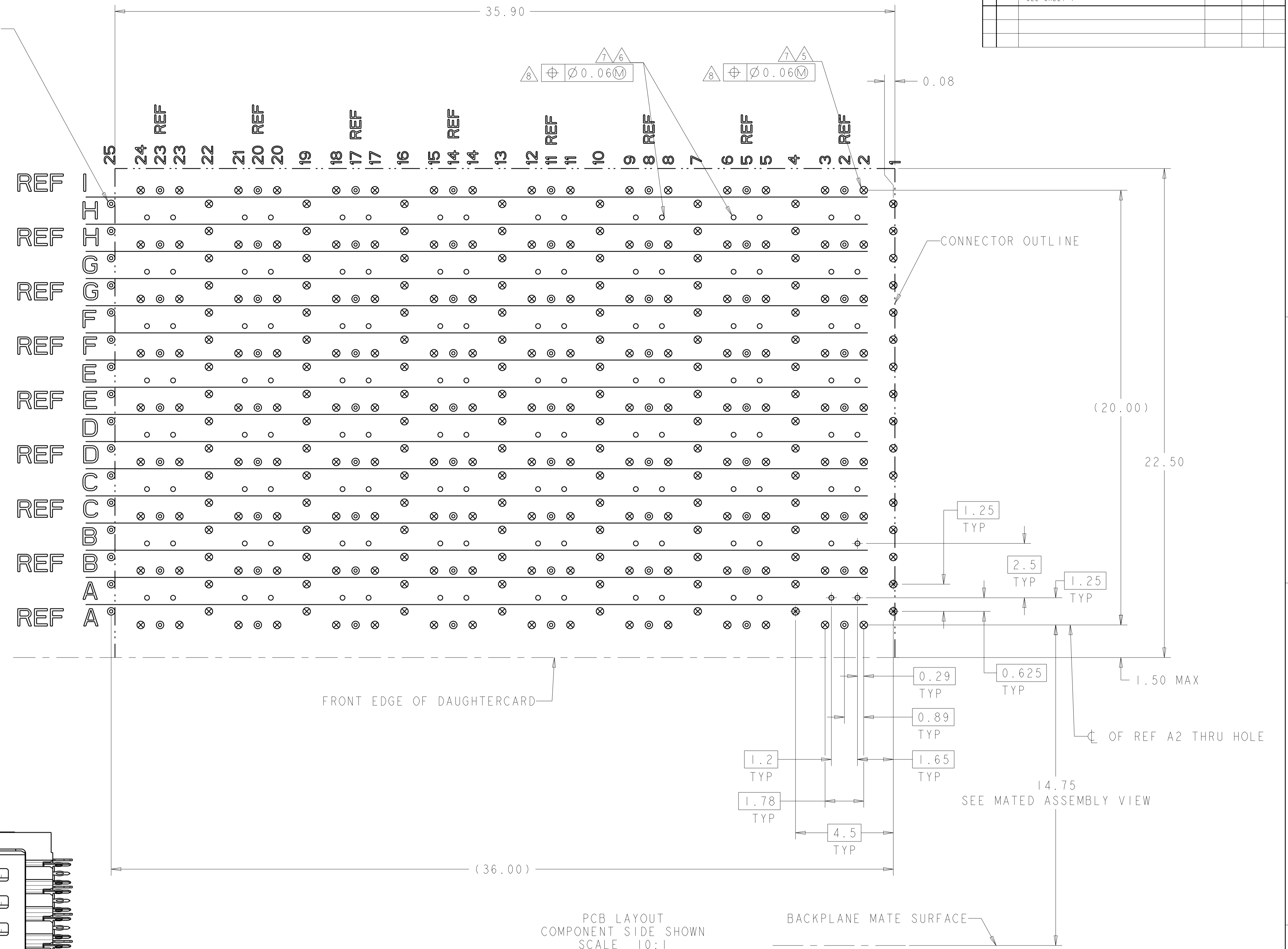
TIN	2198264-3
TIN LEAD	2198264-1
PRESS FIT TAIL PLATING	PART NO

OBSELETE

THIS DRAWING IS A CONTROLLED DOCUMENT.		OWN: R. THOMPSON 29NOV2011	TE Connectivity RECEPTACLE ASSEMBLY, 8 PAIR 8 COLUMN, RIGHT ANGLE, 4.5mm PITCH, STRADA WHISPER 360
DIMENSIONS: mm		CHK: N. SWANGER 29NOV2011	
TOLERANCES UNLESS OTHERWISE SPECIFIED:		APVD: N. SWANGER 29NOV2011	NAME: A100779C=2198264
0 PLC	± 0.2	PRODUCT SPEC	SIZE: 114-13301
1 PLC	± 0.2	APPLICATION SPEC	WEIGHT: -
2 PLC	± 0.08	ANGLES	Customer Drawing
3 PLC	± 0.13	FINISH	SCALE: 5:1
4 PLC	± 0.13	SEE TABLE	SHEET 1 OF 2
ANGLES	\pm		REV C

LOC	DIST	REV	DATE	BY	APPV
GP	00				

FOOTPRINT SHOWN IS FOR SINGLE MODULE APPLICATION. WHEN CONNECTORS ARE STACKED SIDE BY SIDE, THESE SI VIAS ARE USED AS GROUNDS BY THE NEXT CONNECTOR



○ = SIGNAL
 ⊗ = GROUND
 ⊙ = SIGNAL INTEGRITY VIA TO GROUND

PCB LAYOUT COMPONENT SIDE SHOWN SCALE 10:1

BACKPLANE MATE SURFACE

THIS DRAWING IS A CONTROLLED DOCUMENT.		OWN: R. THOMPSON 29NOV2011	TE Connectivity
DIMENSIONS: mm		CHK: N. SWANGER 29NOV2011	
TOLERANCES UNLESS OTHERWISE SPECIFIED:		APVD: N. SWANGER 29NOV2011	NAME: RECEPTACLE ASSEMBLY, 8 PAIR 8 COLUMN, RIGHT ANGLE, 4.5mm PITCH, STRADA WHISPER 360
0 PLC ±0.2	1 PLC ±0.2	PRODUCT SPEC	SIZE: CAGE CODE DRAWING NO. RESTRICTED TO
2 PLC ±0.2	3 PLC ±0.08	APPLICATION SPEC	A100779C=2198264
4 PLC ±0.13	5 PLC ±0.13	WEIGHT	SCALE 5:1 SHEET 2 OF 2 REV C
ANGLES ±°	FINISH	Customer Drawing	