

NOTES

MATERIALS

SHELL	BLACK POLYAMID
O'RING	NBR
BACKSHELL BODY	BLACK POLYAMID
CABLE GLAND	BLACK POLYAMID + NBR
MATING SEAL	SILICON
LOCKING LATCH	STAINLESS STEEL

PERFORMANCES CHARACTERISTICS

MECHANICAL

TEMPERATURE CLASS	IEC61984/UL1977	-40°C TO 105°C
DURABILITY	IEC61984	500 MATE / UNMATE CYCLES
SEALING IN MATED CONDITIONS	IEC60529	IP68 1BAR DURING 1WEEK
	DIN40050	IP69K
SEALING IN UNMATED CONDITIONS	IEC60529	IP67 WITH CAPS
OPEN FACE SEALING	IEC60529	IP67 WITH R*M25* CONTACTS
POLLUTION DEGREE	IEC61984	4
CORROSION SALT SPRAY		MIN 1000H
FLAMMABILITY	UL94	MATERIAL RATING: 5VA
OUTDOOR SUITABILITY (UV RESIST)	UL746C	MATERIAL RATING: (F1)
SCOOP PROOF		

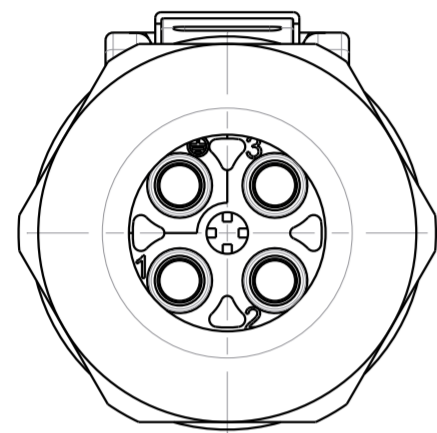
ELECTRICAL

TOUCH PROOF	IEC60529	IP2X
NOMINAL CURRENT	UL1977	16A WITH AWG14 WIRE / 13A WITH AWG16 WIRE
NOMINAL CURRENT	IEC61984	16A WITH 2.5MM² WIRE / 13A WITH 1.5MM² WIRE AT 60°C
NOMINAL VOLTAGE	UL1977	600V
NOMINAL VOLTAGE	IEC61984	250VAC 4KV 4 FOR CLASS II
	IEC61984	500VAC 6KV 4 FOR CLASS I
CONNECTOR BREAKING CAPACITY	UL1977	277V 13A WITH AWG14/16 WIRES
	IEC61984	250VAC 13A 4KV 4

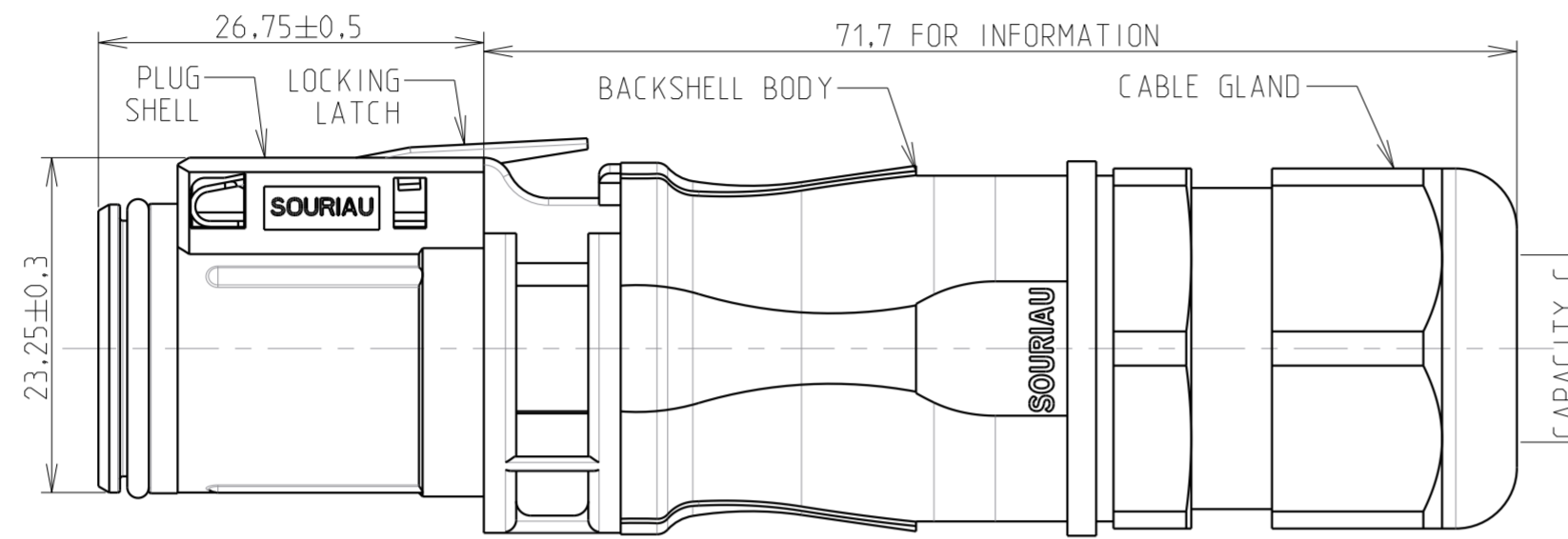
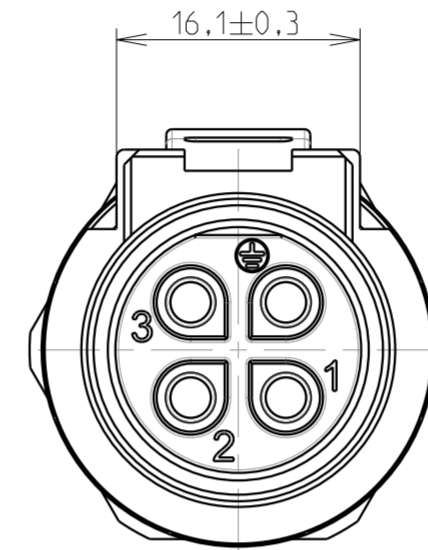
ROHS COMPLIANT

- COUNTERPART REFERENCE UTL RECEPTACLE OR FREE HANGING
- CONNECTORS ARE DELIVERED AS PRE-ASSEMBLED KIT
- CONNECTOR BLOCKS ACCEPTS TRIM TRIO CONTACTS #16, R*M* OR S*M* TYPES
- CONTACTS TO BE ORDERED SEPARATELY.
- WARNING: PHASE CONTACTS ARE MALE VERSION AND GROUND CONTACT IS FEMALE VERSION
- UNIT IN MM
- MAX WIRE INSULATOR DIAMETER : Ø3.7mm
- (*) : OPTIONAL ORDERING PART NUMBERS TO BE ORDERED SEPARATELY
- CAPACITY C : Ø6.5 / Ø12

WIRING FACE

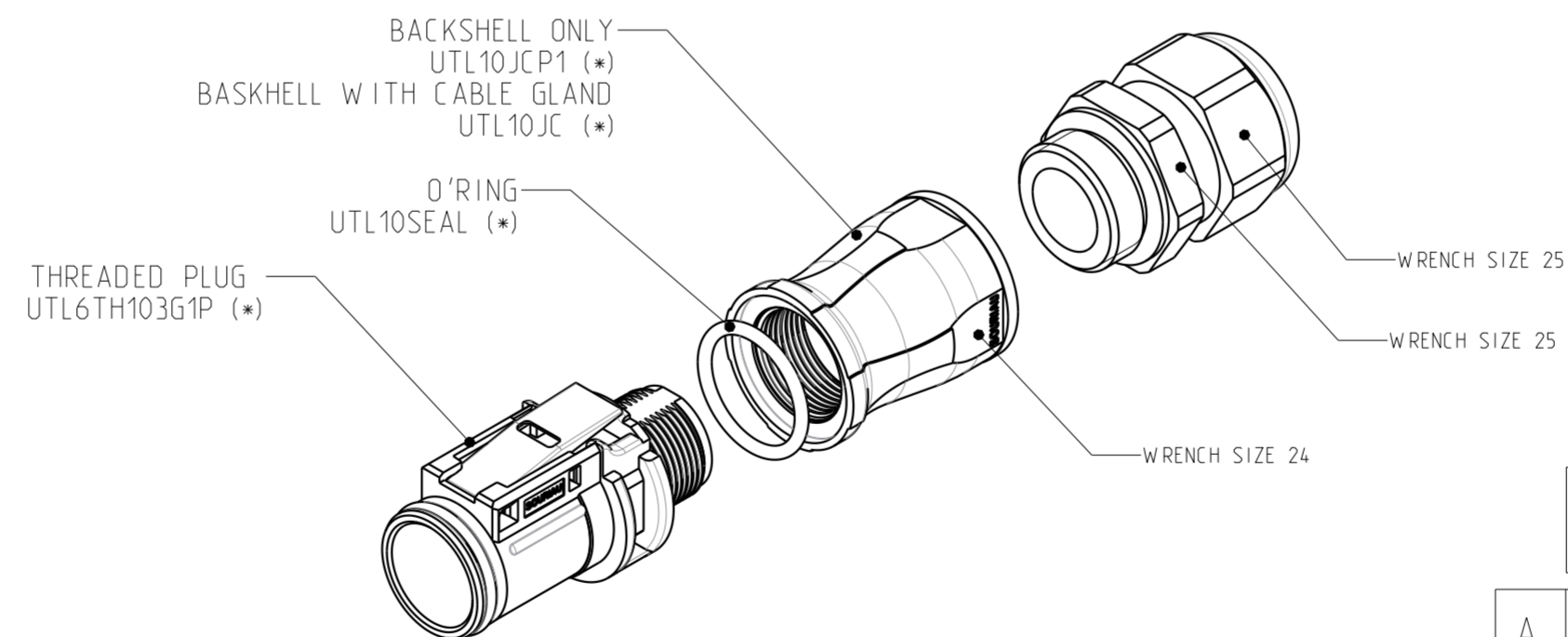
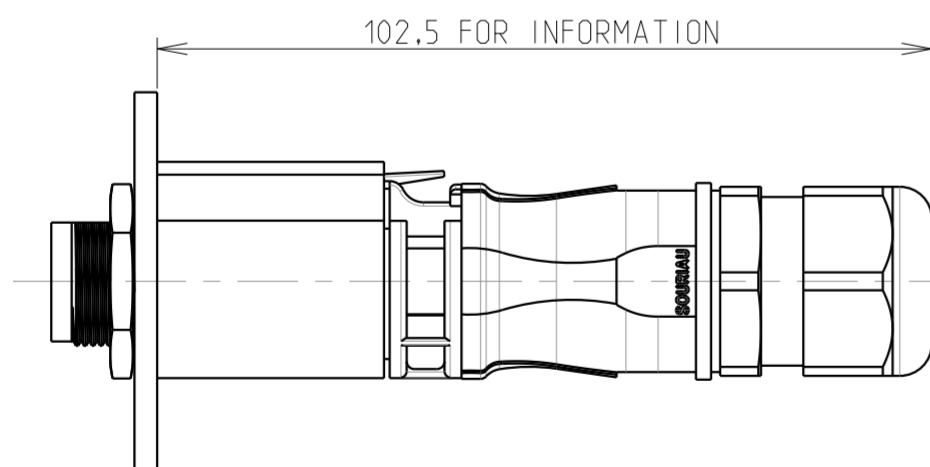


MATING FACE



ECHELLE 2/1

VIEW IN MOUNTED AND MATED CONDITIONS



Country	Jurisdiction & Control List
FR	NOT LISTED

P/N : UTL6JC103G1S

A	12/02/18	Creation	
ISS	DATE	Latest modification - by:	MOD N°
	Designed by:	R.M.	Date: 12/02/18
CUSTOMER DRAWING			
TITLE		PLUG WITH THREADED BACKSHELL SIZE 10 UTL CONNECTOR	
Scale	3/1	General linear Tolerances: ± 0.2	NPRDS / PROJECT BE170912A
SOURIAU WWW.SOURIAU.COM		This document is the property of SOURIAU. It must not be reproduced or communicated without permission.	
FORMAT	A2	SOURIAU DRG N° UTL1-0099A-C	SHEET 1 / 1

SOURIAU shall not be liable for any non-conformity or damage due to a use of the Products which does not comply with the Specifications issued by either of the Parties or by a third party (professional recommendation, technical notice.)