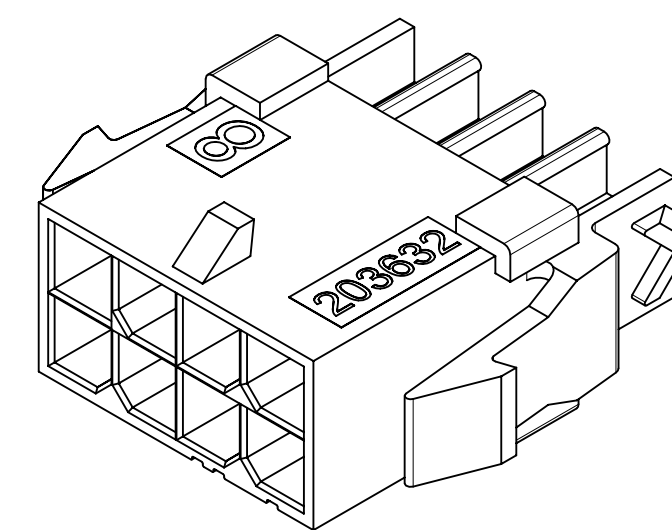
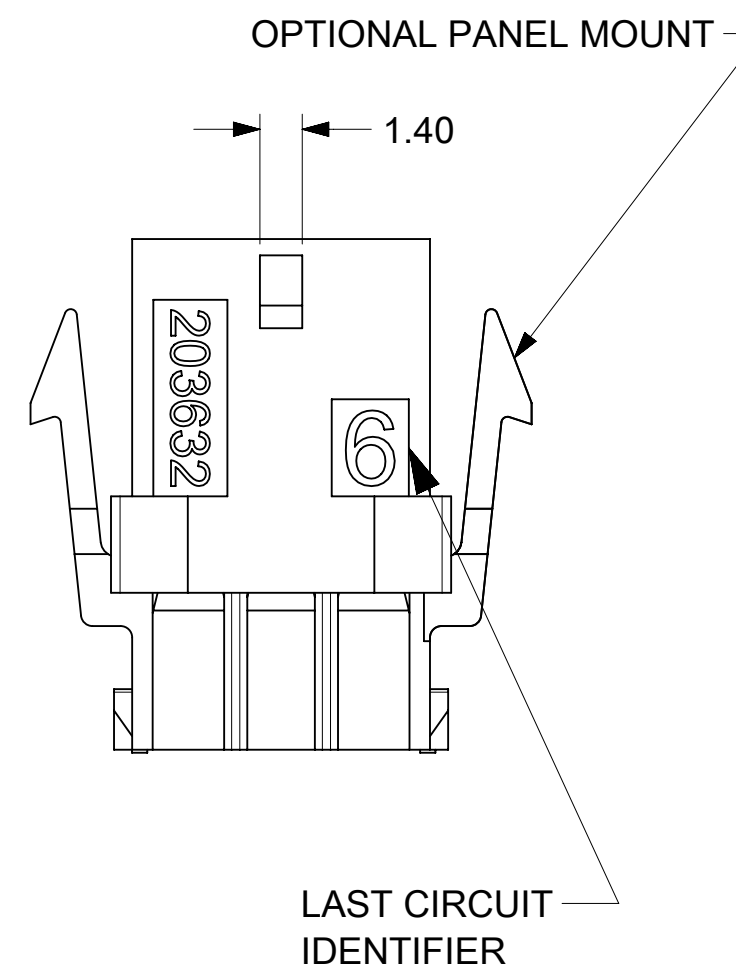
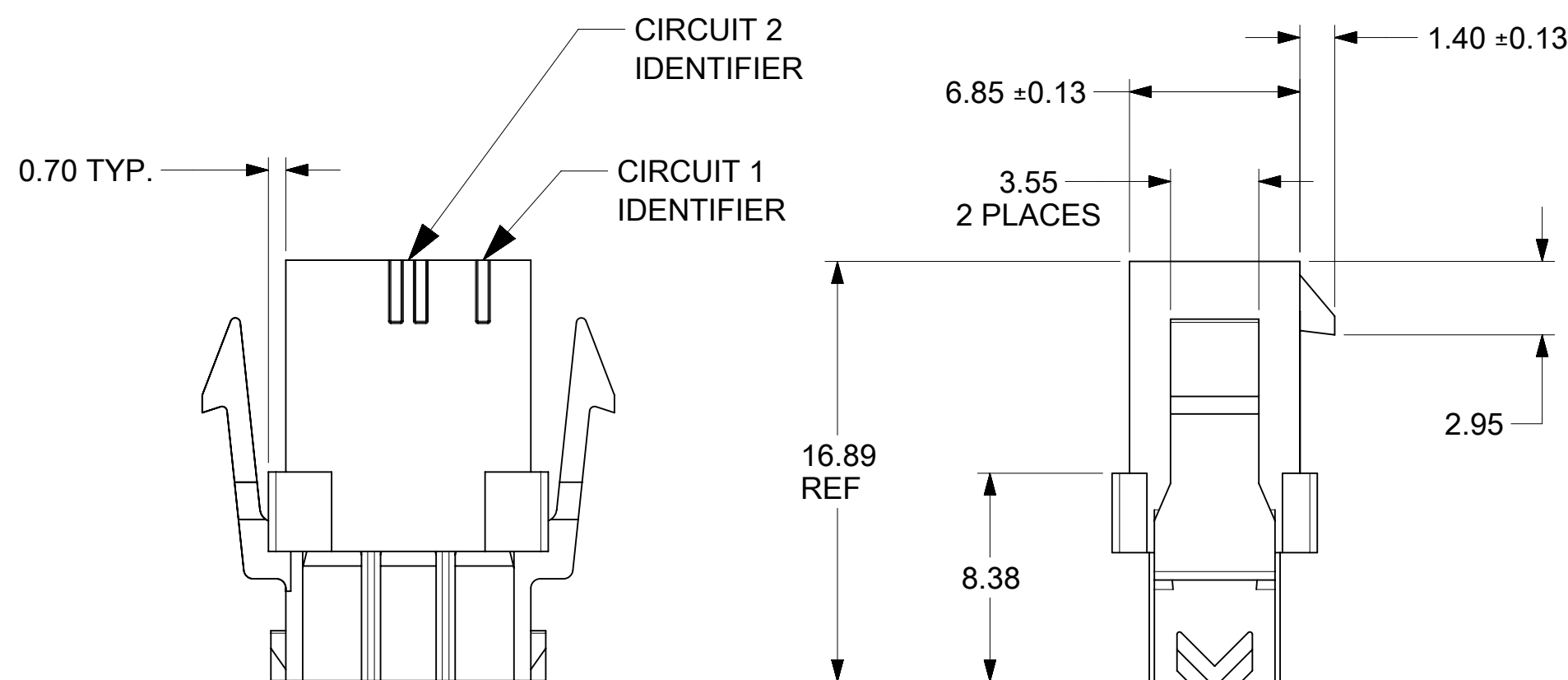


RECOMMENDED PANEL CUTOUT

SEE NOTES 7 AND 9



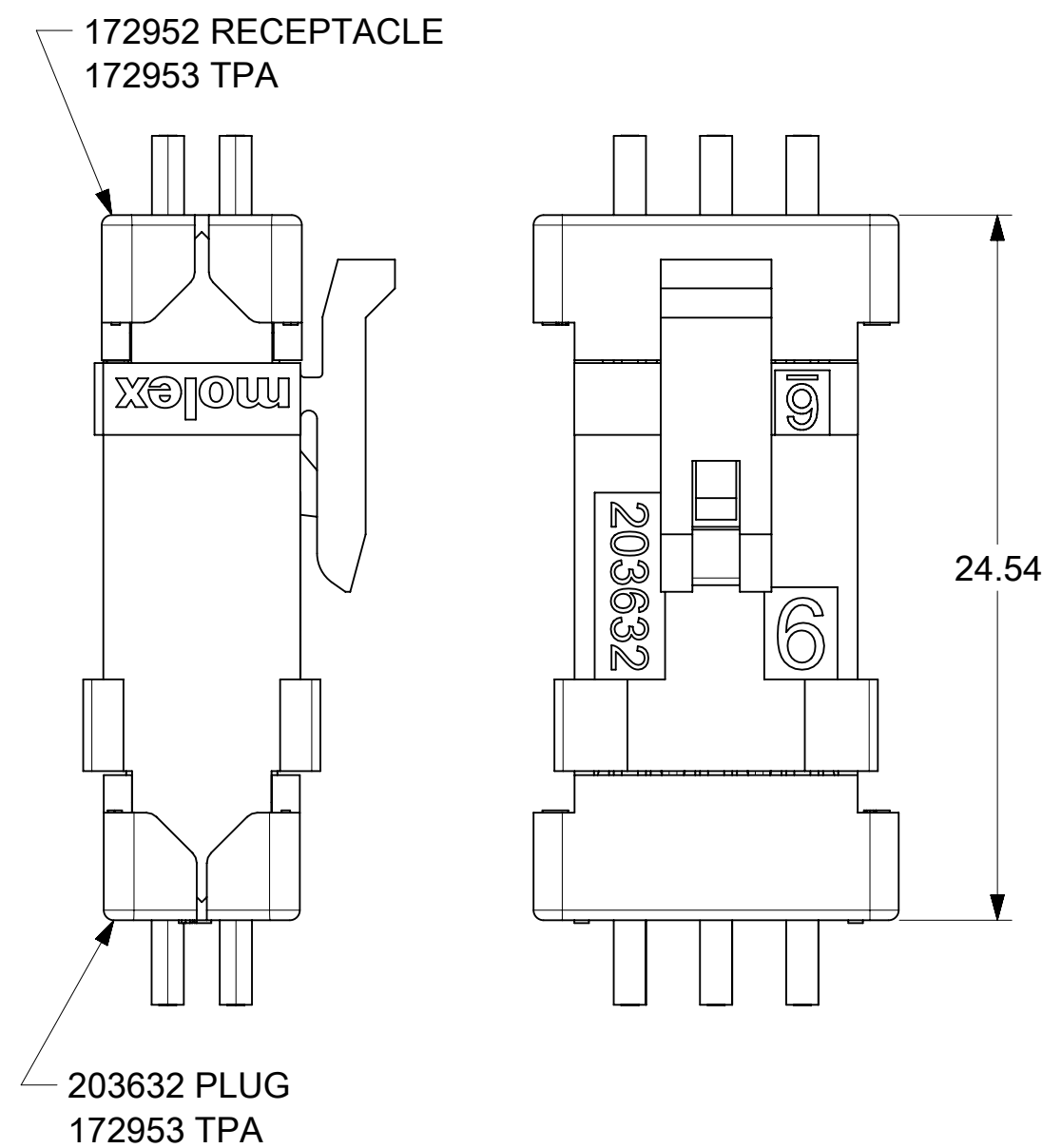
8 CIRCUIT WITH PANEL MOUNTS

NOTES:

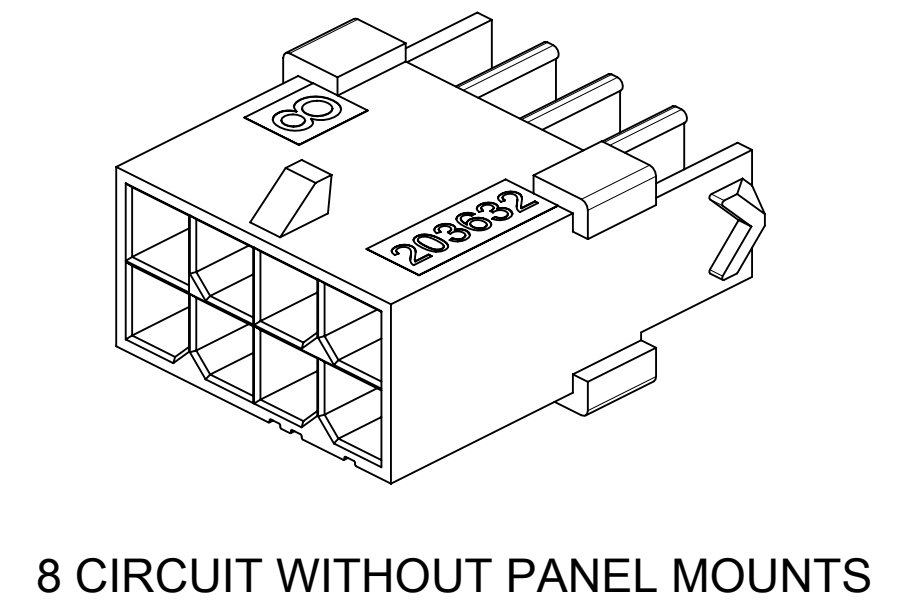
- 1) HOUSING MATERIAL:  
UNFILLED NYLON, RATED UL94V-2, IEC60335-1 GLOW WIRE CAPABLE, COLOR-BLACK
- 2) FINISH: N/A
- 3) PRODUCT SPECIFICATION: PS-43045
- 4) PACKAGING SPECIFICATION: 2036320000-PK
- 5) THIS HOUSING MATES WITH MICRO-FIT 172952 TPA RECEPTACLE OR 43025 STANDARD RECEPTACLE.
- 6) THIS HOUSING TO BE USED WITH MOLEX MALE TERMINAL 43031-5\*\*\*
- 7) DESIGNED FOR 1.40 MINIMUM TO A 2.54 MAXIMUM THICK PANEL OR PRINTED CIRCUIT BOARD.
- 8) SEE SECTION "F"- "F" FOR TERMINAL ORIENTATION IN HOUSING.  
TERMINALS IN LOWER ROW ARE INSERTED 180° FROM THE UPPER ROW.
- 9) PANEL MOUNT FEATURES MUST LOCK ON SIDE OPPOSITE PUNCH SIDE FOR OPTIMUM RETENTION.
- 10) PART CONFORMS TO CLASS 'B' REQUIREMENTS OF COSMETIC SPECIFICATION PS-45499-002, WITH THE EXCEPTION THAT FLASH, DISCOLORATION, AND SINK MEET CLASS 'C' REQUIREMENTS.
- 11) HOUSING MAY HAVE DISCOLORATION AREAS THAT DO NOT AFFECT FUNCTIONALITY. DISCOLORATION AREAS MAY EXTEND ACROSS THE ENTIRE LENGTH OF THE FACES OF THE PART.
- 12) TEXT ON PART IS FOR REFERENCE ONLY. TEXT AND TEXT LOCATION MAY VARY DEPENDING ON PART NUMBER AND/OR TOOLING.
- 13) HOUSING DESIGNED FOR USE WITH 172953-xx02 TPA. NEVER USE WITHOUT TPA.
- 14) INTENDED FOR USE WITH 20-30 AWG WIRES ONLY

FUNCTIONAL SYMBOLS		THIS DRAWING CONTAINS INFORMATION THAT IS PROPRIETARY TO MOLEX ELECTRONIC TECHNOLOGIES, LLC AND SHOULD NOT BE USED WITHOUT WRITTEN PERMISSION		CURRENT REV DESC: ADD NOTE 14	
$\nabla_A = 0$	DIMENSION UNITS	mm	SCALE	4:1	
$\nabla_E = 0$	GENERAL TOLERANCES (UNLESS SPECIFIED)				
$\nabla_P = 0$	ANGULAR TOL	± 0.5°			
DIVISIONAL SYMBOLS	4 PLACES	±	EC NO: 723726	2022/02/25	
	3 PLACES	±	DRWN: MKIPPER	2022/10/12	
	2 PLACES	± 0.25	CHK'D: MKIPPER	2022/10/13	
	1 PLACE	± 0.35	APPR: FSMITH		
	0 PLACES	±	INITIAL REVISION:		
			DRWN: MKIPPER	2017/06/09	
			APPR: FSMITH	2017/07/20	
	DRAFT WHERE APPLICABLE MUST REMAIN WITHIN DIMENSIONS		THIRD ANGLE PROJECTION	DRAWING	SERIES
				C-SIZE	203632
DOCUMENT STATUS	P1	RELEASE DATE	2022/10/13	13:32:56	
MOLEX		MICROFIT (3.0) TPA DUAL ROW PLUG HOUSING WITH OPTIONAL PANEL MOUNT (GLOW WIRE)			
PRODUCT CUSTOMER DRAWING					
DOCUMENT NUMBER		2036320010-SD		DOC TYPE	DOC PART
SEE CHART		GENERAL MARKET		PSD	000
MATERIAL NUMBER		CUSTOMER		DOC PART	REVISION
SEE CHART		GENERAL MARKET		A4	
SHEET NUMBER		1 OF 2			

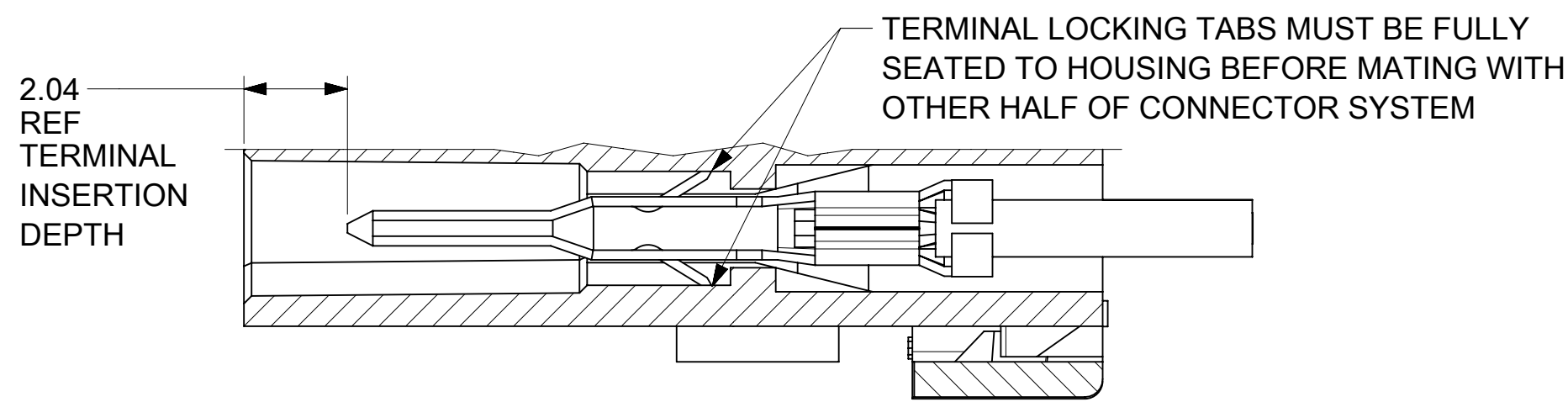
PART NUMBER	PART CHARACTERISTICS					
	NUMBER OF POSITION	PANEL MOUNT	DIM A	DIM B	DIM C	DIM D
2036320410	4	YES	6.85	3.00	7.21	10.89
2036320411		NO				
2036320610	6	YES	9.85	6.00	10.21	13.89
2036320611		NO				
2036320810	8	YES	12.85	9.00	13.21	16.89
2036320811		NO				
2036321010	10	YES	15.85	12.00	16.21	19.89
2036321011		NO				
2036321210	12	YES	18.85	15.00	19.21	22.89
2036321211		NO				
2036321410	14	YES	21.85	18.00	22.21	25.89
2036321411		NO				
2036321610	16	YES	24.85	21.00	25.21	28.89
2036321611		NO				
2036321810	18	YES	27.85	24.00	28.21	31.89
2036321811		NO				
2036322010	20	YES	30.85	27.00	31.21	34.89
2036322011		NO				
2036322210	22	YES	33.85	30.00	34.21	37.89
2036322211		NO				
2036322410	24	YES	36.85	33.00	37.21	40.89
2036322411		NO				



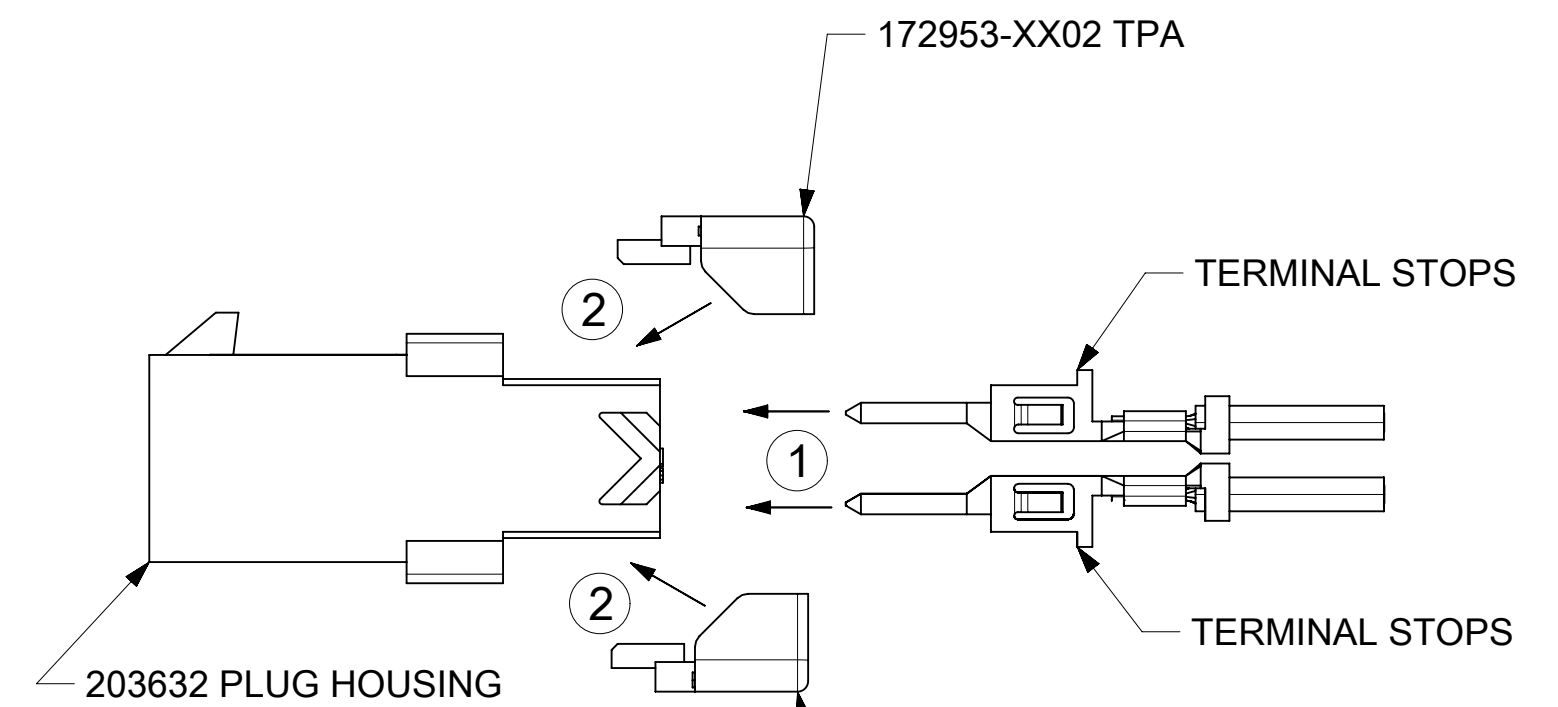
MATED MICRO-FIT CONNECTOR  
(WITH TPA INSTALLED)



8 CIRCUIT WITHOUT PANEL MOUNTS

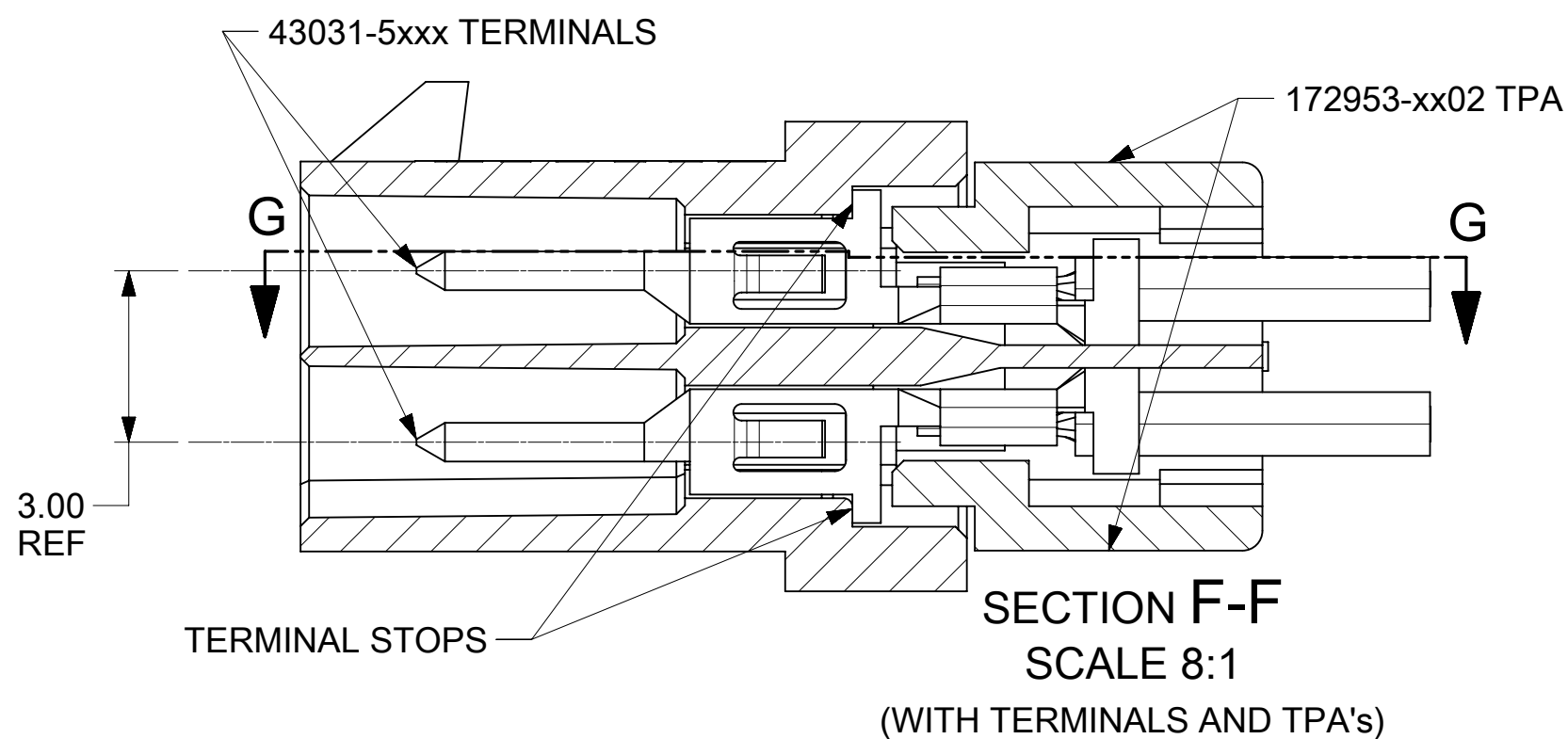


SECTION G-G  
SCALE 8:1



TERMINAL AND TPA  
ORIENTATION AND ASSEMBLY

NEVER USE WITHOUT TPA



SECTION F-F  
SCALE 8:1  
(WITH TERMINALS AND TPA'S)

FUNCTIONAL SYMBOLS	THIS DRAWING CONTAINS INFORMATION THAT IS PROPRIETARY TO MOLEX ELECTRONIC TECHNOLOGIES, LLC AND SHOULD NOT BE USED WITHOUT WRITTEN PERMISSION		CURRENT REV DESC: ADD NOTE 14		
	DIMENSION UNITS	SCALE			
$F_A = 0$	mm	4:1			
$F_C = 0$	GENERAL TOLERANCES (UNLESS SPECIFIED)				
$F_P = 0$	ANGULAR TOL $\pm 0.5^\circ$				
DIVISIONAL SYMBOLS	4 PLACES	$\pm$	EC NO: 723726	2022/02/25	
	3 PLACES	$\pm$	DRWN: MKIPPER	2022/10/12	
	2 PLACES	$\pm 0.25$	CHK'D: MKIPPER	2022/10/13	
	1 PLACE	$\pm 0.35$	APPR: FSMITH	2022/10/13	
	0 PLACES	$\pm$	INITIAL REVISION:		
DRAFT WHERE APPLICABLE MUST REMAIN WITHIN DIMENSIONS		THIRD ANGLE PROJECTION	DRAWING	SERIES	
			C-SIZE	203632	
DOCUMENT STATUS	P1	RELEASE DATE	2022/10/13 13:32:56		
				DOCUMENT NUMBER	DOC TYPE   DOC PART   REVISION
				2036320010-SD	PSD   000   A4
				MATERIAL NUMBER	CUSTOMER
				SEE CHART	GENERAL MARKET
				SHEET NUMBER	
				2 OF 2	

**molex**

MICROFIT (3.0) TPA DUAL ROW PLUG HOUSING WITH OPTIONAL PANEL MOUNT (GLOW WIRE)

PRODUCT CUSTOMER DRAWING

DOCUMENT NUMBER | DOC TYPE | DOC PART | REVISION

2036320010-SD | PSD | 000 | A4

MATERIAL NUMBER | CUSTOMER

SEE CHART | GENERAL MARKET

SHEET NUMBER

2 OF 2