

注記 :
NOTES :

- 1 材料及び仕上げ(めっき仕様) : TABLE 1, TABLE2 参照
MATERIAL AND FINISHES (PLATING SPECIFICATION) : SEE TABLE 1, TABLE2.
- 2 製品仕様書、コネクタ取扱説明書、適合嵌合相手、適合リテーナーはSHEET 5を
ご参照下さい。
PLEASE REFER TO SHEET 5 FOR PRODUCT SPECIFICATION,
APPLICATION SPECIFICATION, MATE WITH AND APPLICABLE RETAINER.
- 3. 端子テール部 及び ネイルの平坦度 : 0.1 MAXIMUM
TAIL AND NAIL COPLANARITY TO BE 0.1 MAXIMUM
- 4 偶数極に適合
APPLY TO EVEN CIRCUIT
- 5 発注番号 : SHEET 5 参照
ORDER NUMBER : PLEASE REFER TO SHEET 5

205957**7*

| | | |
|--------------------|-----------|----------------------------|
| 極数 CIRCUIT SIZE | 番号 NO. | ハウジングカラー HOUSING COLOR |
| | 0 | ナチュラル(白) NATURAL(WHITE) |
| | 1 | 黒 BLACK |

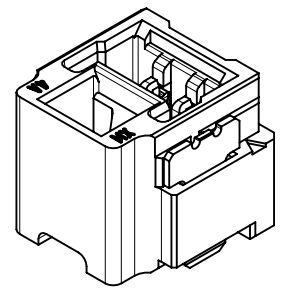
TABLE 1

| 番号 NO. | 部品 PART | 材質 MATERIAL |
|-----------|----------------------|---|
| ① | ハウジング HOUSING | ポリアミド(PA)、ガラス充填、UL94 V-0、色 : SHEET 5 参照 POLYAMIDE (PA), GLASS FILLED, UL94 V-0, COLOR: SEE SHEET 5 |
| ② | ターミナル TERMINAL | 黄銅 BRASS |
| | | 錫ビスマスめっき TIN-BISMUTH PLATING : 1.0 MICROMETER MINIMUM |
| | | ニッケルめっき(下地) NICKEL (UNDER-PLATING) : 1.0 MICROMETER MINIMUM |
| ③ | ネイル NAIL | 黄銅 BRASS |
| | | 錫めっき MATTE TIN PLATING : 1.0 MICROMETER MINIMUM |
| | | ニッケルめっき(下地) NICKEL (UNDER-PLATING) : 1.0 MICROMETER MINIMUM |
| ④ | カバーテープ COVER TAPE | ポリイミド POLYIMIDE |

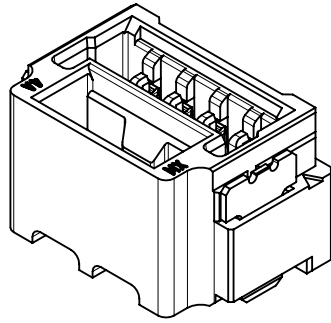
| | | | | |
|----|-------|-------|-------|----|
| 12 | 22.62 | 18.75 | 23.25 | 16 |
| | 21.37 | 17.5 | 22 | 15 |
| | 20.12 | 16.25 | 20.75 | 14 |
| | 18.87 | 15 | 19.5 | 13 |
| | 17.62 | 13.75 | 18.25 | 12 |
| | 16.37 | 12.5 | 17 | 11 |
| 10 | 15.12 | 11.25 | 15.75 | 10 |
| | 13.87 | 10 | 14.5 | 9 |
| | 12.62 | 8.75 | 13.25 | 8 |
| 8 | 11.37 | 7.5 | 12 | 7 |
| | 10.12 | 6.25 | 10.75 | 6 |
| | 8.87 | 5 | 9.5 | 5 |
| 7 | 7.62 | 3.75 | 8.25 | 4 |
| | 6.37 | 2.5 | 7 | 3 |
| 5 | 5.12 | 1.25 | 5.75 | 2 |
| | D | C | B | A |

| | | | | | |
|---|-------|-----------------------------|---------|--|--------------|
| THIS DRAWING CONTAINS INFORMATION THAT IS PROPRIETARY TO MOLEX ELECTRONIC TECHNOLOGIES, LLC AND SHOULD NOT BE USED WITHOUT WRITTEN PERMISSION | | CURRENT REV DESC: | | | |
| DIMENSION UNITS | SCALE | EC NO: 736271 | | | |
| mm | NTS | DRWN: SOKUMURA01 2022/12/27 | | MICRO-LOCK PLUS 1.25 W/B SINGLE ROW VERTICAL SMT PLUG ASSEMBLY FOR POTTING | |
| GENERAL TOLERANCES (UNLESS SPECIFIED) | | CHK'D: SAKIYAMA 2023/02/16 | | | |
| ANGULAR TOL ± 3.0 ° | | APPR: AIDA 2023/02/16 | | PRODUCT CUSTOMER DRAWING | |
| 4 PLACES | ± 0.2 | INITIAL REVISION: | | DOCUMENT NUMBER | |
| 3 PLACES | ± 0.2 | DRWN: TAKAIKE 2019/08/01 | | DOC TYPE | |
| 2 PLACES | ± 0.2 | APPR: AIDA 2019/08/20 | | DOC PART | |
| 1 PLACE | ± 0.2 | MATERIAL NUMBER | | REVISION | |
| 0 PLACES | ± 0.2 | CUSTOMER | | 2059573000-SD | |
| DRAFT WHERE APPLICABLE MUST REMAIN WITHIN DIMENSIONS | | THIRD ANGLE PROJECTION | DRAWING | SERIES | SHEET NUMBER |
| | | | A3-SIZE | 205957 | 1 OF 5 |

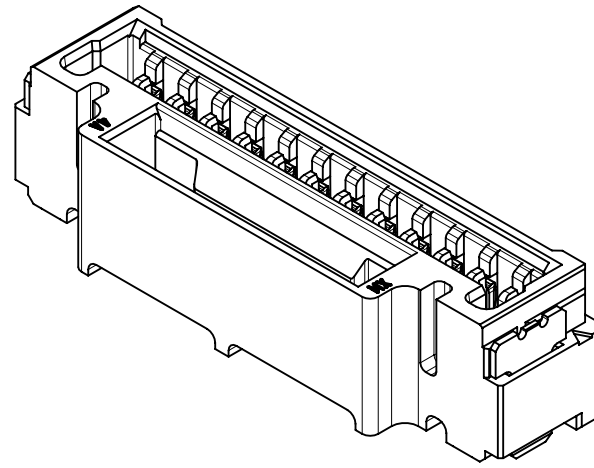
製品形状
PRODUCT SHAPE



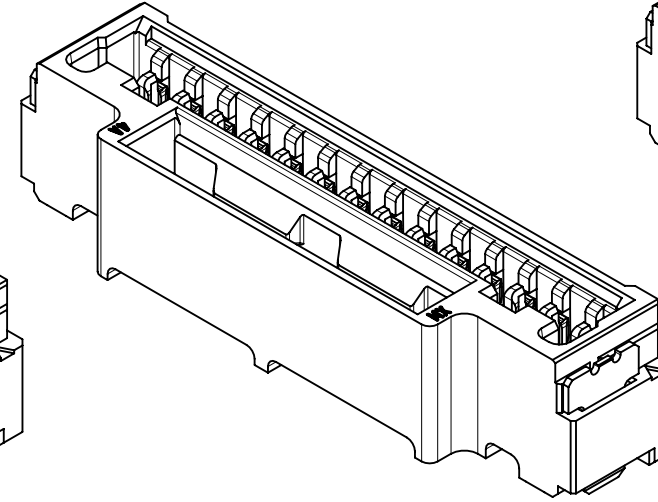
2-3極
2-3 CIRCUIT



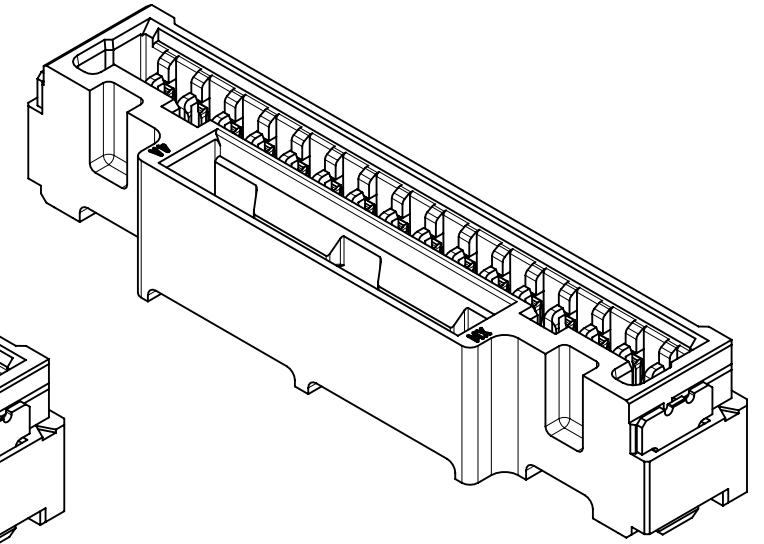
4-11極
4-11 CIRCUIT



12-13極
12-13 CIRCUIT

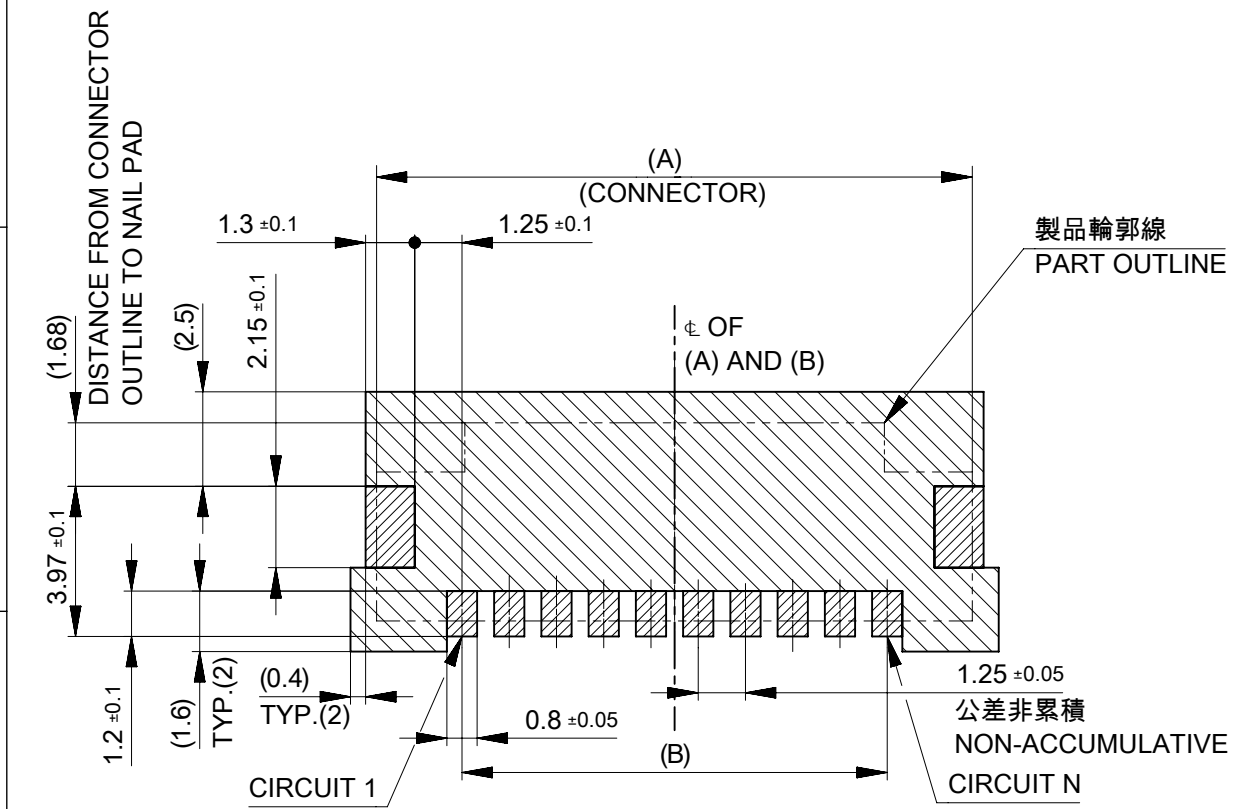


14極
14 CIRCUIT



15-16極
15-16 CIRCUIT

基板パターンレイアウト
PCB PATTERN LAYOUT



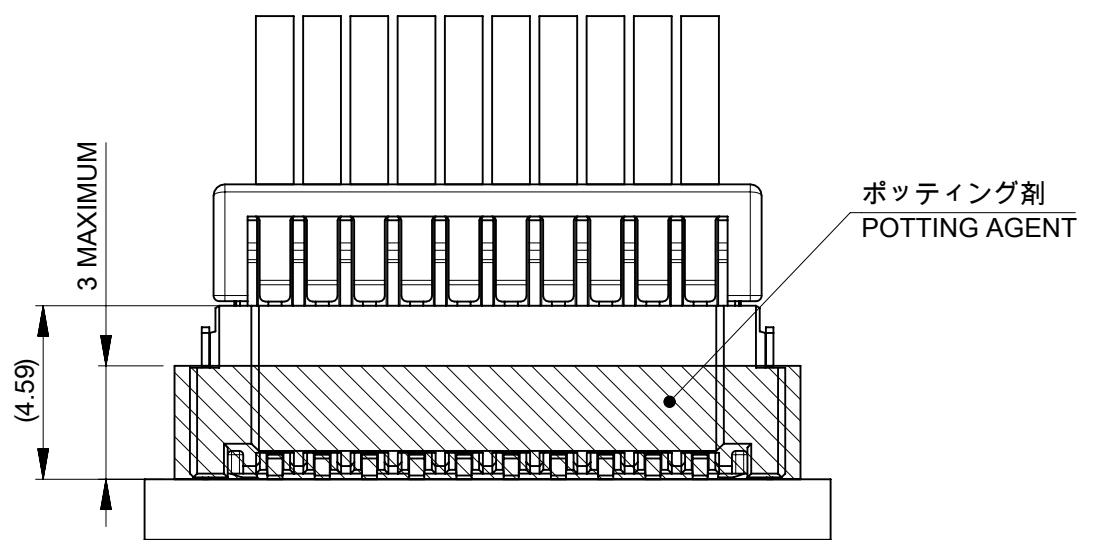
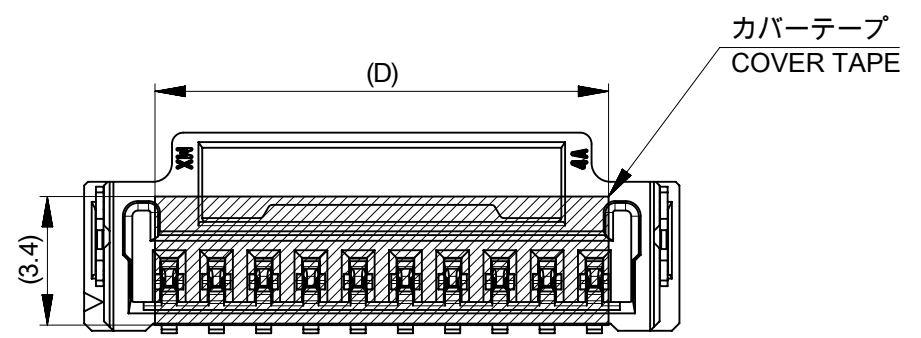
- 基板パターンレイアウト (参考)
 (参考: 基板厚 1.6mm, メタルマスク厚さ 0.15mm, マスク開口率 100%)
 RECOMMEND PCB LAYOUT : COMPONENT SIDE
 (REFERENCE : PCB THICKNESS 1.6mm, STENCIL THICKNESS 0.15mm, APERTURE RATIO 100%)
- パターン禁止エリア
 RESTRICTED AREA
 NO PCB COMPONENTS ALLOWED

| | | | | | | | | | | | | | |
|---|--|-------|------------------------|--|---------|------------|--------|---------------|--------------|-------------------|--|-----------------|--|
| THIS DRAWING CONTAINS INFORMATION THAT IS PROPRIETARY TO MOLEX ELECTRONIC TECHNOLOGIES, LLC AND SHOULD NOT BE USED WITHOUT WRITTEN PERMISSION | | | | | | | | | | | | | |
| DIMENSION UNITS | | SCALE | | CURRENT REV DESC: | | | | | | | | | |
| mm | | NTS | | MICRO-LOCK PLUS 1.25 W/B SINGLE ROW VERTICAL SMT PLUG ASSEMBLY FOR POTTING PRODUCT CUSTOMER DRAWING | | | | | | | | | |
| GENERAL TOLERANCES (UNLESS SPECIFIED) | | | | | | | | | | EC NO: 736271 | | 2022/12/27 | |
| ANGULAR TOL ± 3.0 ° | | | | | | | | | | DRWN: SOKUMURA01 | | 2023/02/16 | |
| 4 PLACES ± 0.2 | | | | | | | | | | CHK'D: SAKIYAMA | | 2023/02/16 | |
| 3 PLACES ± 0.2 | | | | | | | | | | APPR: AIDA | | 2023/02/16 | |
| 2 PLACES ± 0.2 | | | | | | | | | | INITIAL REVISION: | | DOCUMENT NUMBER | |
| 1 PLACE ± 0.2 | | | | DRWN: TAKAIKE | | 2019/08/01 | | 2059573000-SD | | | | | |
| 0 PLACES ± 0.2 | | | | APPR: AIDA | | 2019/08/20 | | PSD 000 D | | | | | |
| DRAFT WHERE APPLICABLE MUST REMAIN WITHIN DIMENSIONS | | | THIRD ANGLE PROJECTION | | DRAWING | | SERIES | | SHEET NUMBER | | | | |
| | | | | | A3-SIZE | | 205957 | | 2 OF 5 | | | | |

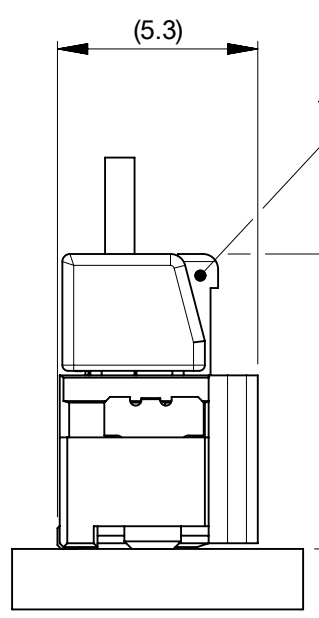
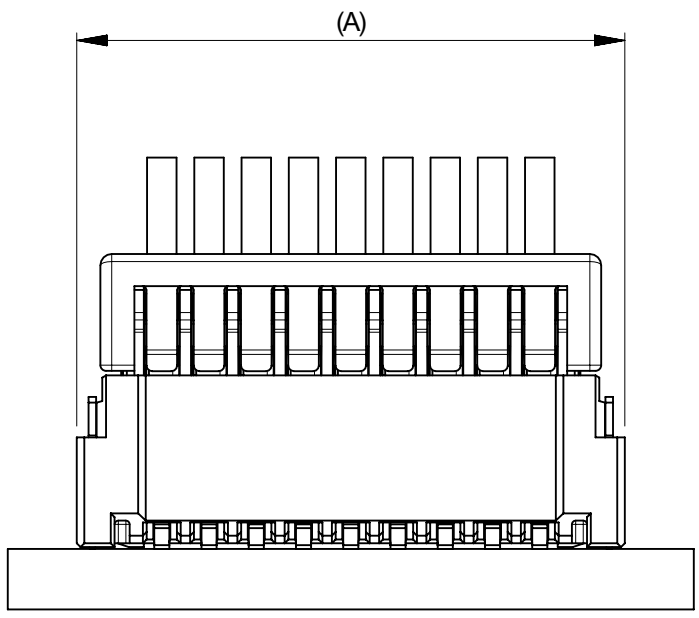
10 9 8 7 6 5 4 3 2 1

吸着エリア
SUCTION AREA

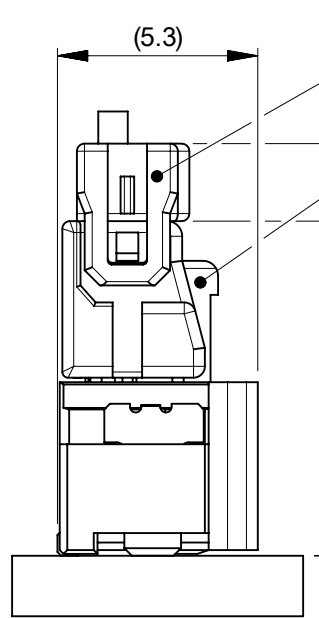
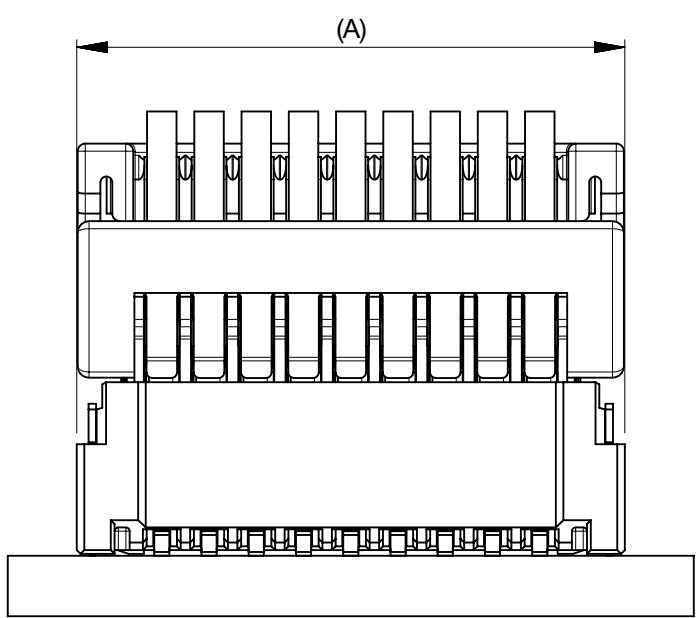
ポッティング高さ
POTTING HEIGHT



嵌合状態図
MATED CONNECTORS



2 嵌合相手 : 204532シリーズ
MATE WITH : 204532 SERIES

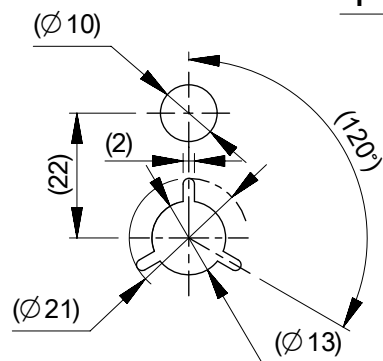
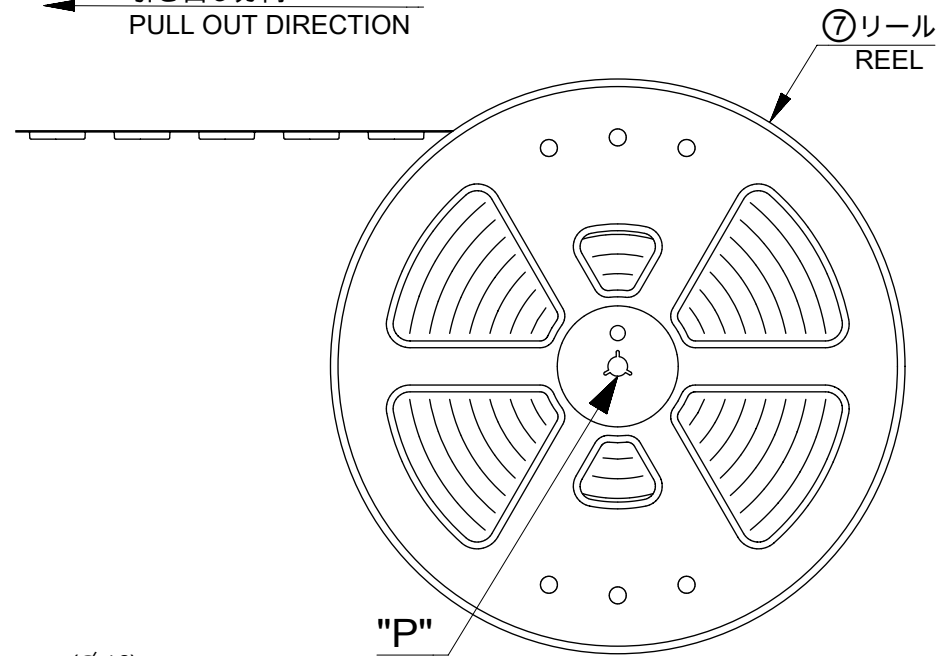


2 リテーナー : 214528シリーズ
RETAINER : 214528 SERIES

2 嵌合相手 : 214526シリーズ
MATE WITH : 214526 SERIES

| | | | | | | | | | | | | | |
|---|--|-------------------|--|---|--|---------|--|-----------------|--|------------------|--|------------|--|
| THIS DRAWING CONTAINS INFORMATION THAT IS PROPRIETARY TO MOLEX ELECTRONIC TECHNOLOGIES, LLC AND SHOULD NOT BE USED WITHOUT WRITTEN PERMISSION | | | | | | | | | | | | | |
| DIMENSION UNITS | | SCALE | | CURRENT REV DESC: | | | | | | | | | |
| mm | | NTS | | | | | | | | | | | |
| GENERAL TOLERANCES (UNLESS SPECIFIED) | | | | <p>molex</p> <p>MICRO-LOCK PLUS 1.25 W/B SINGLE ROW VERTICAL SMT PLUG ASSEMBLY FOR POTTING</p> <p>PRODUCT CUSTOMER DRAWING</p> | | | | | | | | | |
| ANGULAR TOL ± 3.0 ° | | | | | | | | | | | | | |
| 4 PLACES ± 0.2 | | EC NO: 736271 | | | | | | | | DRWN: SOKUMURA01 | | 2022/12/27 | |
| 3 PLACES ± 0.2 | | CHK'D: SAKIYAMA | | | | | | | | APPR: AIDA | | 2023/02/16 | |
| 2 PLACES ± 0.2 | | INITIAL REVISION: | | | | | | | | DRWN: TAKAIKE | | 2019/08/01 | |
| 1 PLACE ± 0.2 | | APPR: AIDA | | | | | | | | 2019/08/20 | | | |
| 0 PLACES ± 0.2 | | | | | | | | | | | | | |
| DRAFT WHERE APPLICABLE MUST REMAIN WITHIN DIMENSIONS | | | | THIRD ANGLE PROJECTION | | DRAWING | | SERIES | | | | | |
| | | | | A3-SIZE | | 205957 | | MATERIAL NUMBER | | | | | |
| | | | | | | | | CUSTOMER | | | | | |
| | | | | | | | | SHEET NUMBER | | | | | |
| | | | | SEE SHEET 5 | | GENERAL | | 3 OF 5 | | | | | |

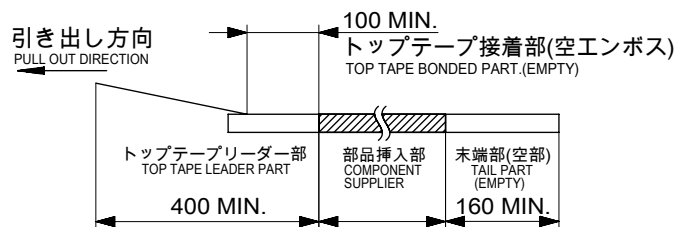
引き出し方向
PULL OUT DIRECTION



DETAIL "P"

注記 NOTE

- 6. 梱包数量 : 1000個/リール
NUMBER OF CONNECTORS : 1000 PCS/REEL
- 7. リードテープ長さ
LEAD TAPE LENGTH.



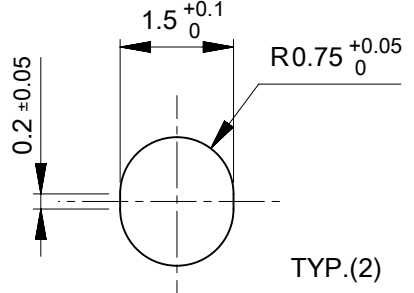
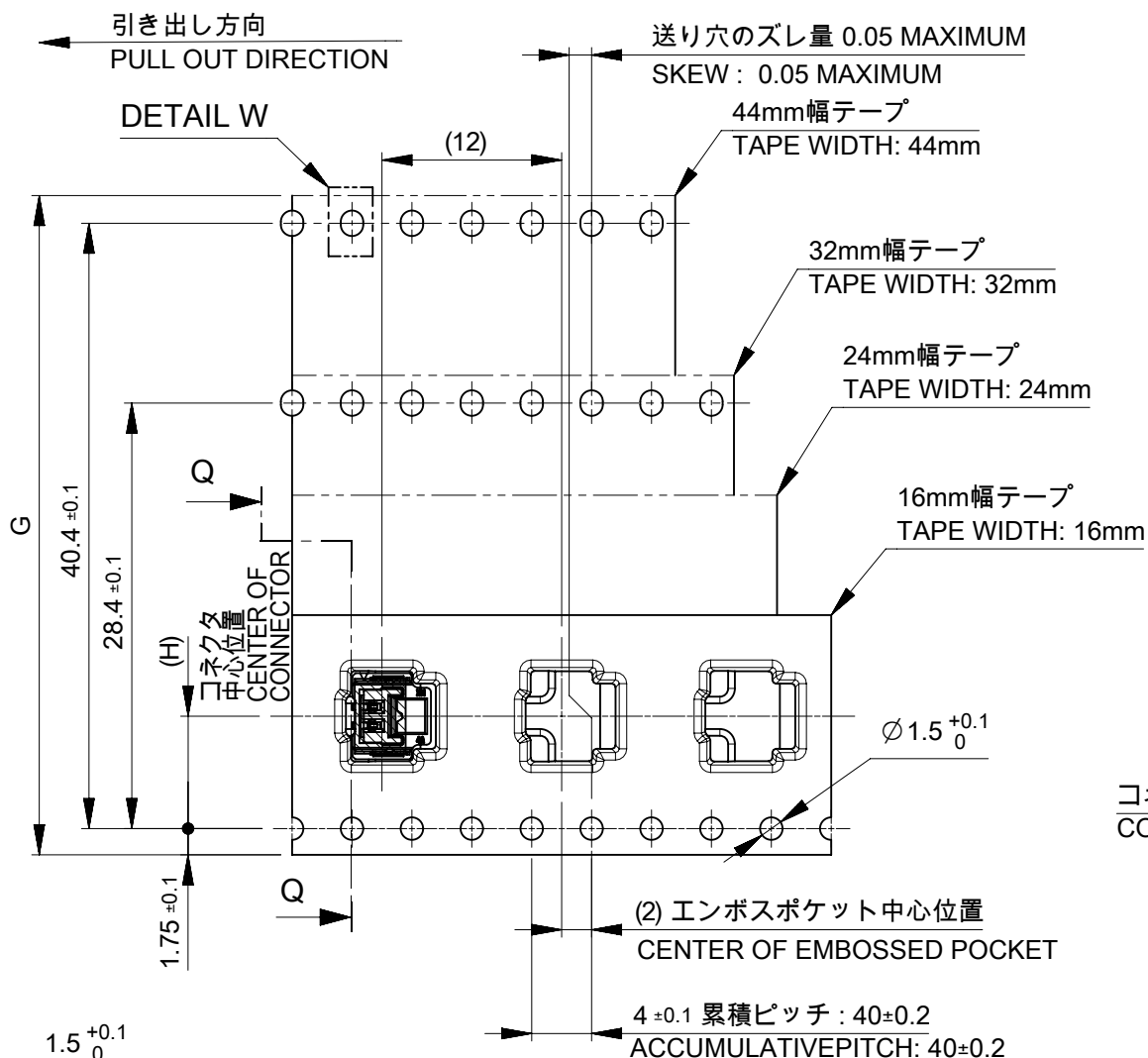
- 8. トップテープの剥離強度はIEC60286-3に準拠
TOP TAPE PEELING FORCE IS DEFINED BY IEC60286-3.

TABLE 2

| 番号 NO. | 部品 PART | 材質 MATERIAL |
|-----------|---------------------------|---|
| ⑤ | エンボステープ EMBOSSSED TAPE | ポリスチレン(PS)、その他 POLYSTYRENE(PS), etc |
| ⑥ | トップテープ TOP TAPE | ポリエチレン(PE)、その他 POLYETHYLENE(PE), etc |
| ⑦ | リール REEL | ポリスチレン(PS) <リサイクル材を含む> POLYSTYRENE(PS) <RECYCLE MATERIAL CONTAINED > |

DOCUMENT STATUS P1 RELEASE DATE 2023/02/16 15:22:34

引き出し方向
PULL OUT DIRECTION



DETAIL W

送り穴のズレ量 0.05 MAXIMUM
SKEW : 0.05 MAXIMUM

44mm幅テープ
TAPE WIDTH: 44mm

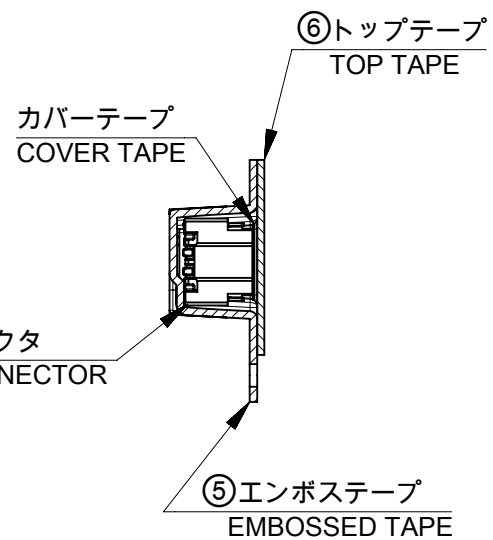
32mm幅テープ
TAPE WIDTH: 32mm

24mm幅テープ
TAPE WIDTH: 24mm

16mm幅テープ
TAPE WIDTH: 16mm

(2) エンボスポケット中心位置
CENTER OF EMBOSSSED POCKET

4±0.1 累積ピッチ : 40±0.2
ACCUMULATIVE PITCH: 40±0.2



SECTION Q-Q

| | H | G | F | E | 極数 CIRCUIT SIZE |
|--|------|------------------------------------|------|------|--------------------|
| | 20.2 | 44±0.3 | 45.4 | 49.4 | 16 |
| | | | | | 15 |
| | | | | | 14 |
| | | | | | 13 |
| | 14.2 | 32±0.3 | 33.4 | 37.4 | 12 |
| | | | | | 11 |
| | | | | | 10 |
| | | | | | 9 |
| | | | | | 8 |
| | 11.5 | 24 ^{+0.3} _{-0.1} | 25.4 | 29.4 | 7 |
| | | | | | 6 |
| | | | | | 5 |
| | | | | | 4 |
| | 7.5 | 16 ^{+0.3} _{-0.1} | 17.4 | 21.4 | 3 |
| | | | | | 2 |
| | H | G | F | E | 極数 CIRCUIT SIZE |

THIS DRAWING CONTAINS INFORMATION THAT IS PROPRIETARY TO MOLEX ELECTRONIC TECHNOLOGIES, LLC AND SHOULD NOT BE USED WITHOUT WRITTEN PERMISSION

DIMENSION UNITS: mm SCALE: NTS

GENERAL TOLERANCES (UNLESS SPECIFIED): ANGULAR TOL ± 3.0°

4 PLACES ± 0.2
3 PLACES ± 0.2
2 PLACES ± 0.2
1 PLACE ± 0.2
0 PLACES ± 0.2

EC NO: 736271
DRWN: SOKUMURA01 2022/12/27
CHK'D: SAKIYAMA 2023/02/16
APPR: AIDA 2023/02/16

INITIAL REVISION:
DRWN: TAKAIKE 2019/08/01
APPR: AIDA 2019/08/20

THIRD ANGLE PROJECTION

DRAFT WHERE APPLICABLE MUST REMAIN WITHIN DIMENSIONS

CURRENT REV DESC:

molex

MICRO-LOCK PLUS 1.25 W/B
SINGLE ROW VERTICAL SMT PLUG ASSEMBLY
FOR POTTING

PRODUCT CUSTOMER DRAWING

DOCUMENT NUMBER: 2059573000-SD
DOC TYPE: PSD
DOC PART: 000
REVISION: D


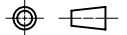
MATERIAL NUMBER: SEE SHEET 5
CUSTOMER: GENERAL
SHEET NUMBER: 4 OF 5

△ 2 適合製品及び各種仕様書 APPLICABLE PRODUCTS AND VARIOUS SPECIFICATIONS

| | | | |
|--|--------------------------------|-----------------------|----------------------|
| 梱包仕様書 PACKAGING SPECIFICATION | | 2059579200-SPK PS 200 | |
| 適合嵌合相手 MATE WITH | シリーズ番号 SERIES NUMBER | 204532 | 214526 |
| | リテーナー対応 RETAINER APPLICABLE | NOT COMPLIANT | COMPLIANT |
| 適合リテーナーシリーズ番号 APPLICABLE RETAINER SERIES NUMBER | | - | 214528 |
| 製品仕様書 PRODUCT SPECIFICATION | | 2045320001-PS PS 000 | 2145260001-PS PS 000 |
| コネクタ取扱説明書 APPLICATION SPECIFICATION | | 5055650000-AS PS 000 | |

△ 5 205957**7* 発注番号一覧 ORDER NUMBER LIST

| BLACK | NATURAL (WHITE) | HOUSING COLOR |
|--|-----------------|--------------------|
| 2059571671 | 2059571670 | 16 |
| 2059571571 | 2059571570 | 15 |
| 2059571471 | 2059571470 | 14 |
| 2059571371 | 2059571370 | 13 |
| 2059571271 | 2059571270 | 12 |
| 2059571171 | 2059571170 | 11 |
| 2059571071 | 2059571070 | 10 |
| 2059570971 | 2059570970 | 9 |
| 2059570871 | 2059570870 | 8 |
| 2059570771 | 2059570770 | 7 |
| 2059570671 | 2059570670 | 6 |
| 2059570571 | 2059570570 | 5 |
| 2059570471 | 2059570470 | 4 |
| 2059570371 | 2059570370 | 3 |
| 2059570271 | 2059570270 | 2 |
| 発注番号 ORDER NUMBER | | 極数 CIRCUIT SIZE |
| 梱包形態 : エンボステープ、リール PACKAGING STYLE : EMBOSSED TAPE AND REEL | | |

| | | | | | | | | | |
|---|----------------|--|------------------|------------------------------|---|--|------------------------|----------|----------|
| THIS DRAWING CONTAINS INFORMATION THAT IS PROPRIETARY TO MOLEX ELECTRONIC TECHNOLOGIES, LLC AND SHOULD NOT BE USED WITHOUT WRITTEN PERMISSION | | | | | | | | | |
| DIMENSION UNITS mm | SCALE NTS | CURRENT REV DESC: | | |  MICRO-LOCK PLUS 1.25 W/B SINGLE ROW VERTICAL SMT PLUG ASSEMBLY FOR POTTING | | | | |
| GENERAL TOLERANCES (UNLESS SPECIFIED) | | EC NO: 736271 | | | | | | | |
| ANGULAR TOL ± 3.0 ° | 4 PLACES ± 0.2 | DRWN: SOKUMURA01 | 2022/12/27 | | PRODUCT CUSTOMER DRAWING | | | | |
| 3 PLACES ± 0.2 | 2 PLACES ± 0.2 | CHK'D: SAKIYAMA | 2023/02/16 | | | | | | |
| 1 PLACE ± 0.2 | 0 PLACES ± 0.2 | APPR: AIDA | 2023/02/16 | | DOCUMENT NUMBER | | DOC TYPE | DOC PART | REVISION |
| DRAFT WHERE APPLICABLE MUST REMAIN WITHIN DIMENSIONS | | INITIAL REVISION: DRWN: TAKAIKE APPR: AIDA | | 2019/08/01 2019/08/20 | 2059573000-SD | | PSD | 000 | D |
| THIRD ANGLE PROJECTION  | | DRAWING A3-SIZE | SERIES 205957 | MATERIAL NUMBER SEE CHART | CUSTOMER GENERAL | | SHEET NUMBER 5 OF 5 | | |