

**MATERIALS & SPECIFICATIONS**

PART NO.	A28050-025	REV	ECO	DATE	APP
		E	102033	10-27-15	TLM

**HOUSING:**  
ALUMINUM 6061-T6, NICKEL PLATE PER  
SAE-AMS-2404

**INSULATOR:**  
LIQUID CRYSTAL POLYMER (LCP) PER  
ASTM D5138

**CONTACT:**  
BERYLLIUM COPPER PER ASTM B194,  
C17200, GOLD PLATED PER ASTM B488,  
(HARD GOLD) TYPE II CODE C, CLASS  
1.27

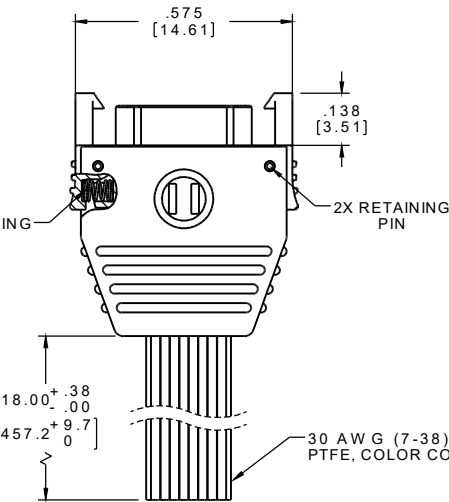
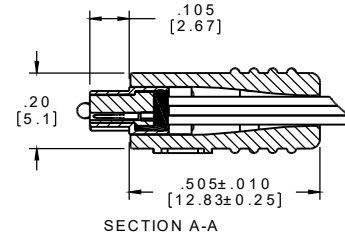
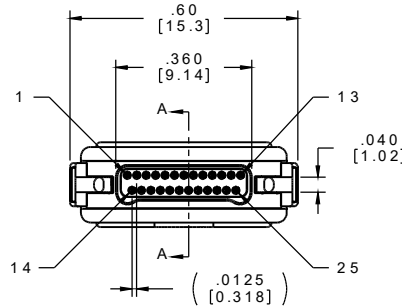
**WIRE:**  
NEMA HP3 TYPE ET, COLOR CODED IAW  
MIL-STD-681, SYSTEM 1, USING TEN  
SOLID REPEATING COLORS

**HARDWARE:**  
17-7 STAINLESS STEEL

**CURRENT RATING:**  
1 AMP MAX PER MIL-DTL-32139

**CONTACT RESISTANCE:**  
71 MILLIOHM MAX (71mV DROP MAX) @  
1.0 AMPS PER MIL-DTL-32139

**PERFORMANCE:**  
PRODUCT FAMILY TESTED TO AND  
PASSED THE PERFORMANCE  
SPECIFICATIONS OF TABLE VIII OF MIL-  
DTL-32139



PIN #	COLOR
1, 11, 21	BLACK
2, 12, 22	BROWN
3, 13, 23	RED
4, 14, 24	ORANGE
5, 15, 25	YELLOW
6, 16	GREEN
7, 17	BLUE
8, 18	VIOLET
9, 19	GRAY
10, 20	WHITE



ACTUAL SIZE  
EXCLUDING WIRE LENGTH

**INTERNAL USE ONLY**  
USE MFG LOADING  
PROCEDURE A28000-025

NOTE:

DIMENSIONS IN [ ] ARE IN  
MILLIMETERS UNLESS  
OTHERWISE NOTED AND ARE  
FOR REFERENCE ONLY

THIRD ANGLE			
-TOLERANCES-			
DIMENSIONS IN INCHES			
2 P L D E C ± .01	DFTM, JPF	DATE	01-28-08
3 P L D E C ± .005	CHK'D.	DATE	
4 P L D E C ± .0005	APP'D.	DATE	
ANGLES ± 1°			

THIS DRAWING CONTAINS CONFIDENTIAL AND PROPRIETARY INFORMATION WHICH IS THE PROPERTY OF  
OMNETICS CONNECTOR CORP. THIS DOCUMENT MAY NOT IN WHOLE OR IN PART, BE DUPLICATED, OR  
DISCLOSED FOR ANY PURPOSE, WITHOUT WRITTEN PERMISSION FROM OMNETICS CONNECTOR CORP.

TITLE:  
(25) PIN MALE  
LATCHING Bi-Lobe®  
CONNECTOR

**OMNETICS**  
CONNECTOR CORPORATION  
7260 COMMERCE CIRCLE EAST  
MINNEAPOLIS, MN 55432  
WWW.OMNETICS.COM

CAGE CODE 61873	REV
DWG NO. A28050-025	E
SHEET 1 OF 1	
SCALE: 3:1	