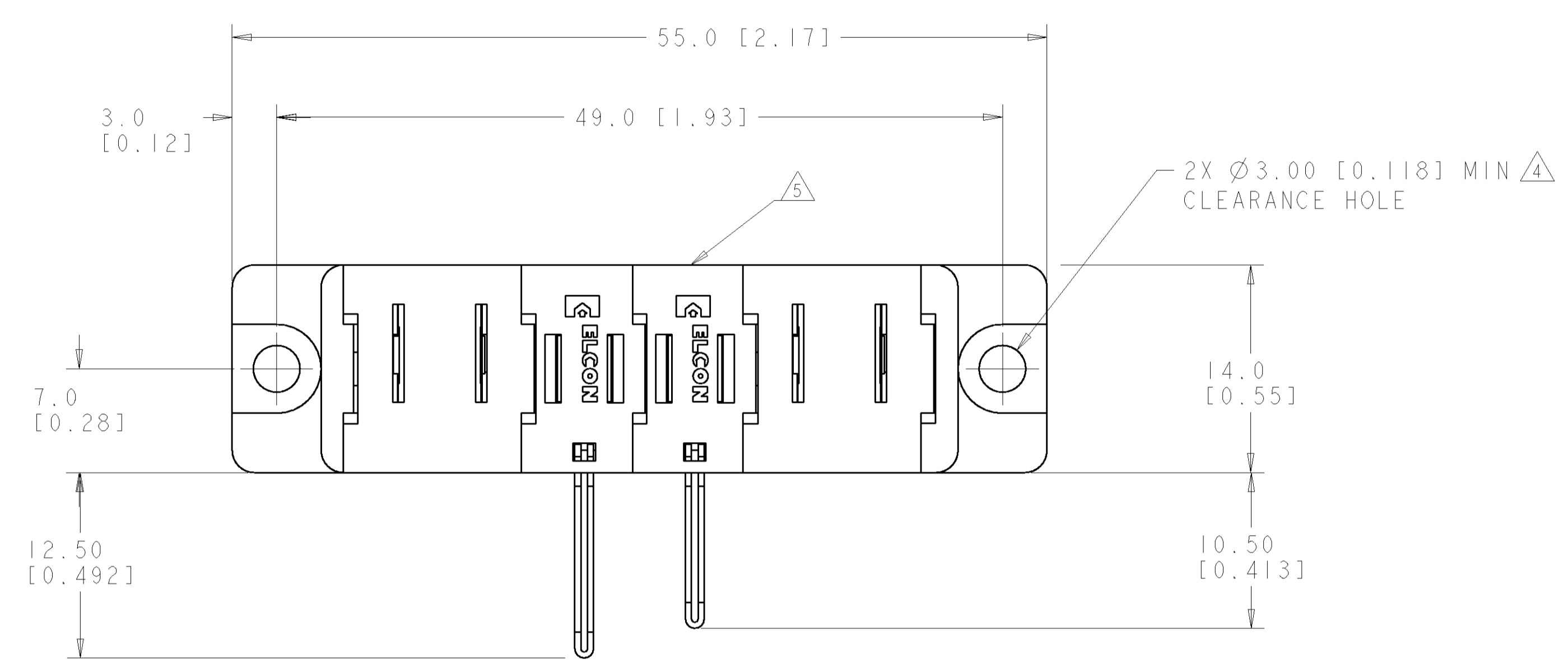


LOC	DIST	REVISIONS					
GP	00	P	LTR	DESCRIPTION	DATE	DWN	APVD
		A		RELEASED	15FEB2007	RG	PD

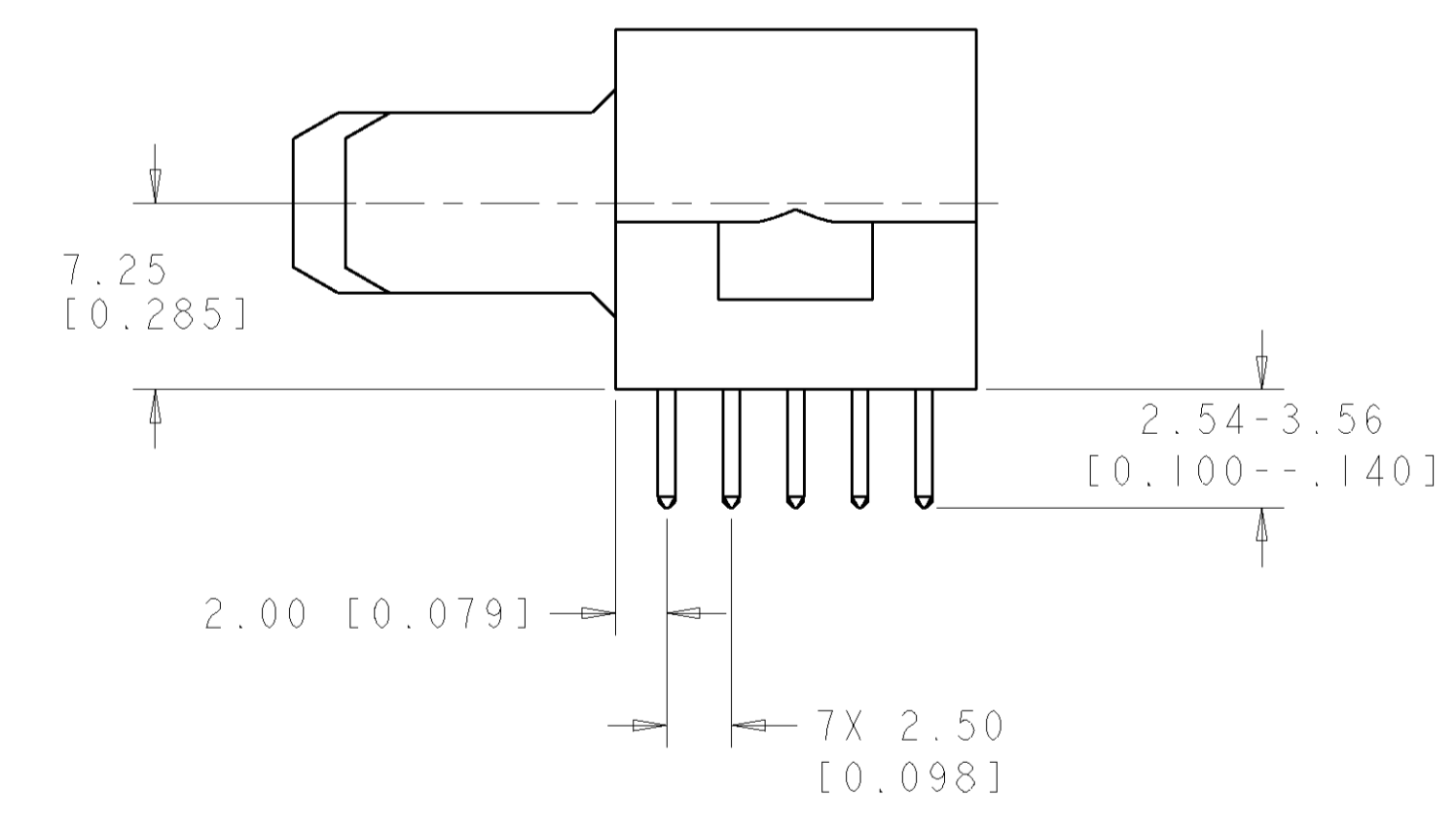
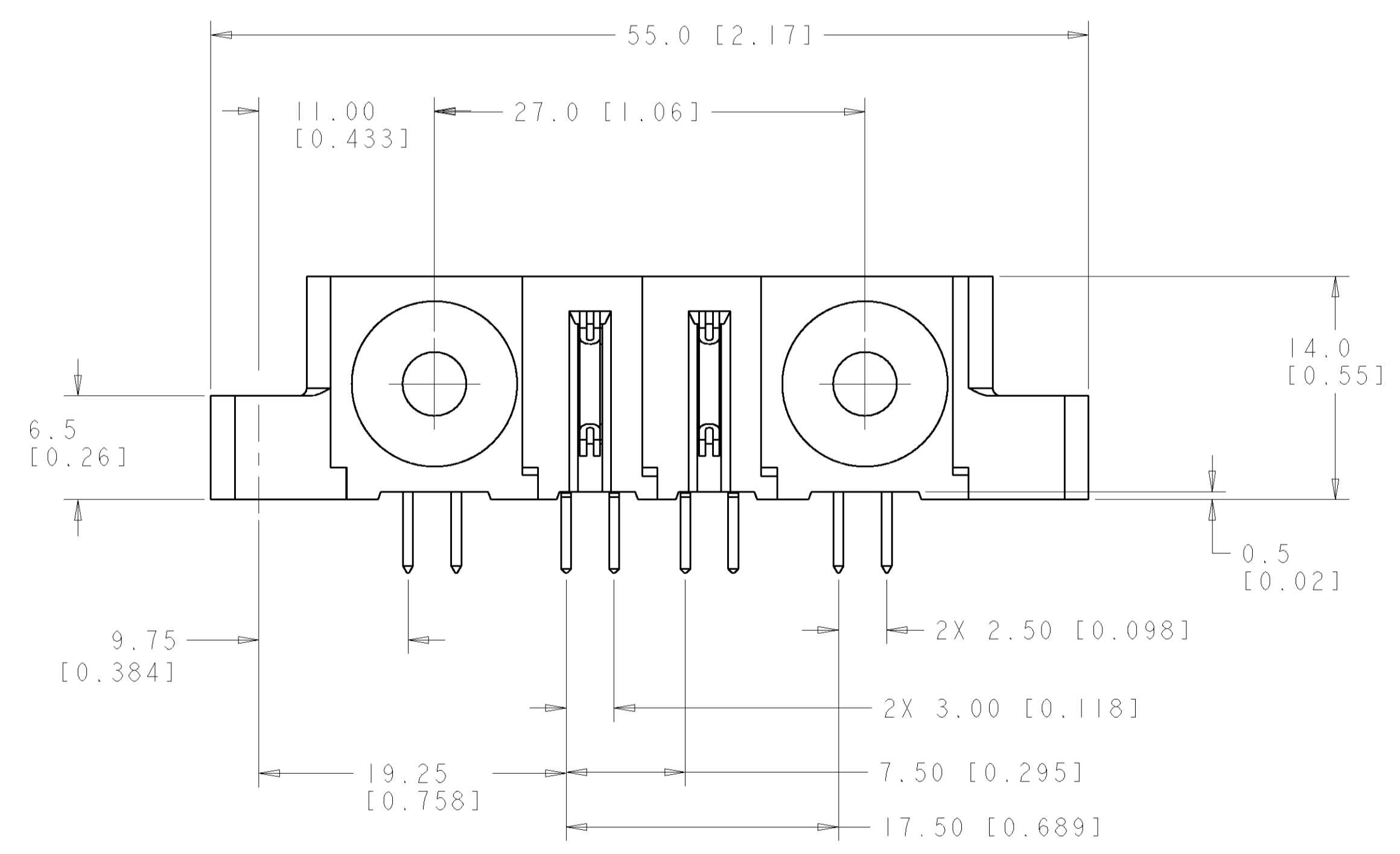


- PART NUMBER CHANGES AND OR DESIGN CHANGES AFFECTING ITEM INTERCHANGEABILITY REQUIRE PRIOR TYCO APPROVAL AND AUTHORIZATION BY REVISION TO THIS DRAWING.
- MATERIAL:
 INSULATORS - THERMOPLASTIC, GLASS REINFORCED, COLOR: BLACK, UL94V-0 FLAMMABILITY RATED.
 POWER CONTACTS - PHOSPHOR BRONZE ALLOY, COPPER ALLOY
 CROWN BAND-BERYLLIUM COPPER ALLOY
- FINISH:
 CONTACTS - GOLD PLATE .000030" MIN. THK., OVER NICKEL .000050" MIN. THK.
 SOLDER TAILS, TIN .000120" MIN. THK. OVER NICKEL .000050" MIN THK.

△ MOUNTING FLANGES ACCEPT #6 SCREWS. (USER SUPPLIED)
 △ ITEMS PROVIDED TO THIS SPECIFICATION TO BE PERMANENTLY IDENTIFIED PER THE FOLLOWING IDENTIFIER LABEL

YEAR | WEEK
 TYCO PART NO. DATE CODE (e.g. 0106)
 XXXXXXXX-X XXXX

6. THIS CONNECTOR MATES WITH SOCKET CONNECTOR PN 1926311-1.

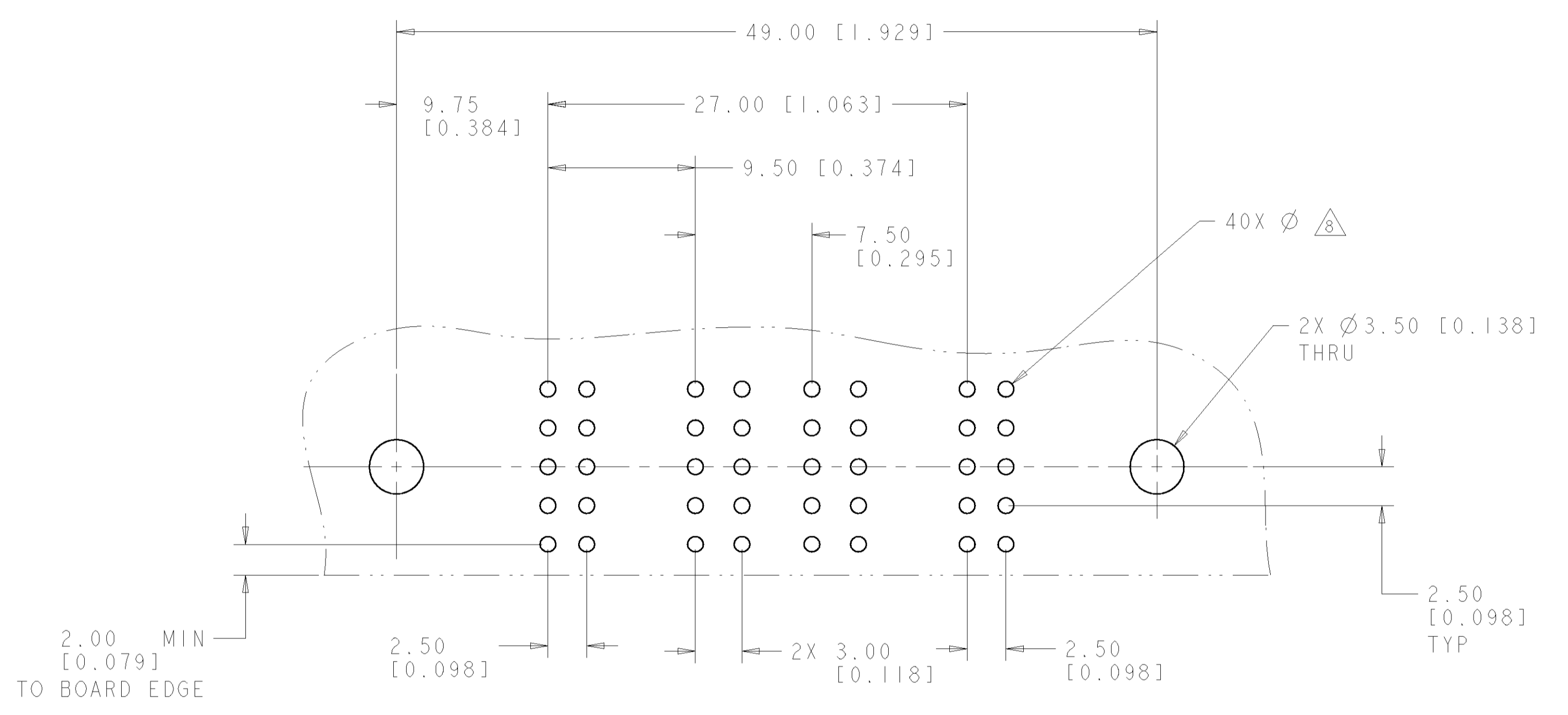


AS SHOWN	1926310-1
DESCRIPTION	PART NUMBER

DIMENSIONS: mm [INCHES]		TOLERANCES UNLESS OTHERWISE SPECIFIED: 0 PLC ±.5 [.020] 1 PLC ±.5 [.020] 2 PLC ±.25 [.010] 3 PLC ±.25 [.010] 4 PLC ±.25 [.010] ANGLES ±.5		DWN B. GRZYBOWSKI DTDEC06 ENR P. DAMATO DTDEC06 APVD S. FLICKINGER DTDEC06		Tyco Electronics Harrisburg, PA 17105-3608	
MATERIAL - FINISH -		WEIGHT - CUSTOMER DRAWING		NAME PRODUCT SPEC APPLICATION SPEC		SIZE CAGE CODE DRAWING NO. RESTRICTED TO A 100779 C=1926310	
SCALE 3:1		SHEET 1 OF 3		REV A		DATE 15FEB2007	

ELCON FLATPAQ

LOC	DIST	REVISIONS			
P	LTR	DESCRIPTION	DATE	DNW	APVD
GP	00	SEE SHEET 1	-	-	-



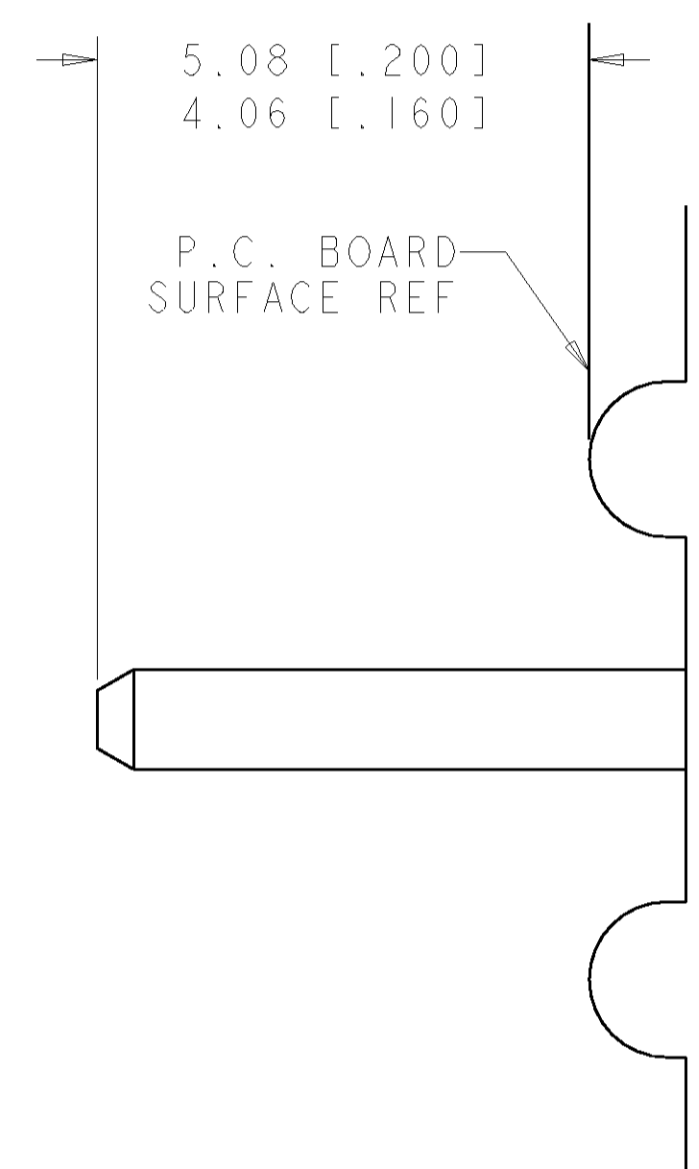
PRINTED CIRCUIT LAYOUT
 COMPONENT SIDE

CONNECTOR	EQUIVALENT CATALOG MODULE #	MODULE QTY	CONTACT QTY	SIZE NO.	MATING PIN	MAX. CURRENT (PER CONTACT)	CONTACT SPACING	VOLTAGE RATING
PIN	FP105	1	2	8	1.25 X 7.00 [.049 X .276]	35 amps	7.50 [.2953]	250 VOLTS
	FP106	1	2	8	1.25 X 7.00 [.049 X .276]	35 amps	7.50 [.2953]	250 VOLTS
	FP516	2	-	RIGHT ANGLE GUIDE SOCKET, ACTIVE				
	FP500	1	-	LEFT MOUNTING FLANGE				
	FP501	1	-	RIGHT MOUNTING FLANGE				

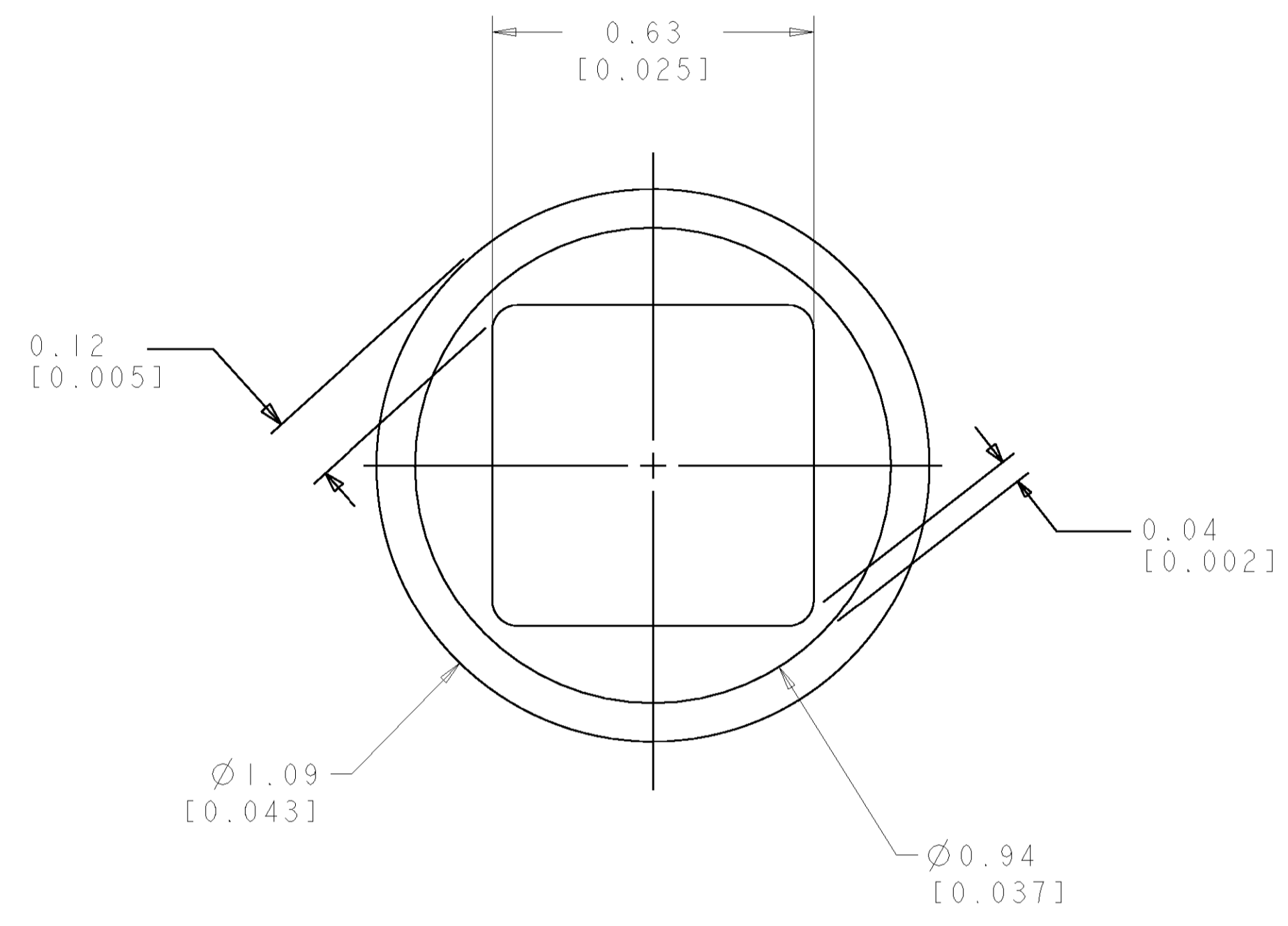
ELCON FLATPAQ

DIMENSIONS: mm [INCHES] 		TOLERANCES UNLESS OTHERWISE SPECIFIED: 0 PLC ±. 1 PLC ±.5 [.020] 2 PLC ±.25 [.010] 3 PLC ±. 4 PLC ±. ANGLES ±.5		DWN: B. GRZYBOWSKI 01DEC06 ENR: P. DAMATO 01DEC06 APVD: S. FLICKINGER 01DEC06		tyco Tyco Electronics Electronics Harrisburg, PA 17105-3608	
MATERIAL: - FINISH: -		WEIGHT: - CUSTOMER DRAWING		NAME: PIN CONNECTOR, RIGHT ANGLE SOLDER TAILS PRODUCT SPEC: - APPLICATION SPEC: -		SIZE: A 00779 C=1926310 SCALE: 3:1 SHEET 2 OF 3 REV A	

LOC	DIST	REVISIONS			
P	LTR	DESCRIPTION	DATE	DNW	APVD
-	-	SEE SHEET 1	-	-	-



7. SOLDER PIN DETAIL
SCALE 10:1



⚠ SOLDER TERMINATION AREA
SCALE 40:1
RECOMMENDED PRINTED CIRCUIT SOLDER HOLE
FINISHED HOLE: Ø1.02 [.040] ±.08 [.003]
DRILLED HOLE: Ø1.15 [.0453] ±.013 [.0005]
COPPER PLATE: .025 [.0010] MIN.
TIN PLATE: .008 [.0003] MIN. (PER SURFACE)

ELCON FLATPAQ

<small>THIS DRAWING IS UNPUBLISHED. RELEASED FOR PUBLICATION. ALL RIGHTS RESERVED. THIS DRAWING IS THE PROPERTY OF TYCO ELECTRONICS CORPORATION. IT IS TO BE USED ONLY FOR THE SPECIFIC PROJECT AND FOR THE ORGANIZATION NAMED BY CONTRACT FOR THE CLIENT'S POSITION.</small>		DWN B. GRZYBOWSKI CHK P. DAMATO APVD S. FLICKINGER	DTDEC06 DTDEC06 DTDEC06	tyco Electronics Tyco Electronics Harrisburg, PA 17105-3608
DIMENSIONS: mm [INCHES]	TOLERANCES UNLESS OTHERWISE SPECIFIED: 0 PLC ±. 1 PLC ±.5 [.020] 2 PLC ±.25 [.010] 3 PLC ±. 4 PLC ±. ANGLES ±.5 FINISH	PRODUCT SPEC APPLICATION SPEC WEIGHT MATERIAL	NAME PIN CONNECTOR, RIGHT ANGLE SOLDER TAILS SIZE CAGE CODE DRAWING NO A100779C-1926310 SCALE 3:1 SHEET 3 OF 3 REV A	RESTRICTED TO -
CUSTOMER DRAWING		CUSTOMER DRAWING		