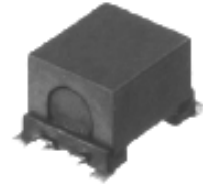
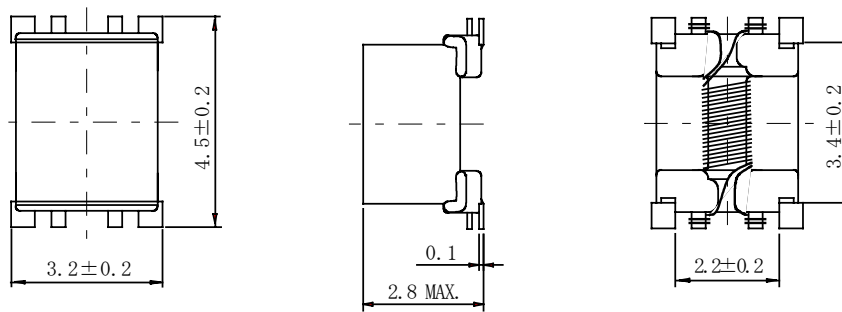


**Type: CRR32**
**◆ Product Description**

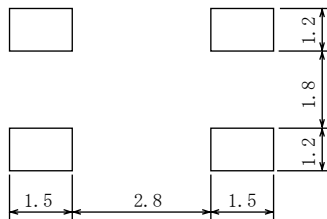
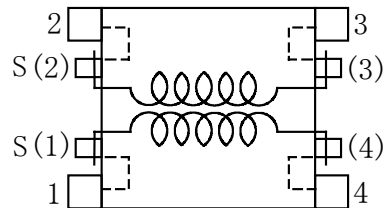
- 4.7×3.4mm Max.(L×W), 2.8mm Max. Height .
- Impedance range: 350 Ω ~ 800 Ω .
- Rated current range: 400mA~800mA.


**◆ Feature**

- Correspondence to the large current due to low D.C.R.
- High impedance in wide frequency band.
- Ideally used in D.C common modem line filter(Digital AV equipment ,Digital still camera, Digital video camera).
- RoHS Compliance.

**◆ Dimensions (mm)**


\* Dimension does include solder used on coil.

**◆ Land Pattern (mm)**

**◆ Schematics (Bottom)**

**◆ Specification**

Part Name	Stamp	Impedance(Ω) <Min.> 100 MHz (1-4) and (2-3)	D.C.R.(Ω) [Max.](at 20°C) (1-4) and (2-3)	Rated current (mA)[Max.] ※1
CRR32NP-Ø2A	1	800	0.5	400
CRR32NP-Ø5A	2	650	0.3	460
CRR32NP-Ø7A	3	500	0.2	580
CRR32NP-1ØA	4	350	0.2	800

※1. Rated current: The DC current at which the temperature rise is  $\Delta t=40^{\circ}\text{C}$ .( $T_a=20^{\circ}\text{C}$ ).