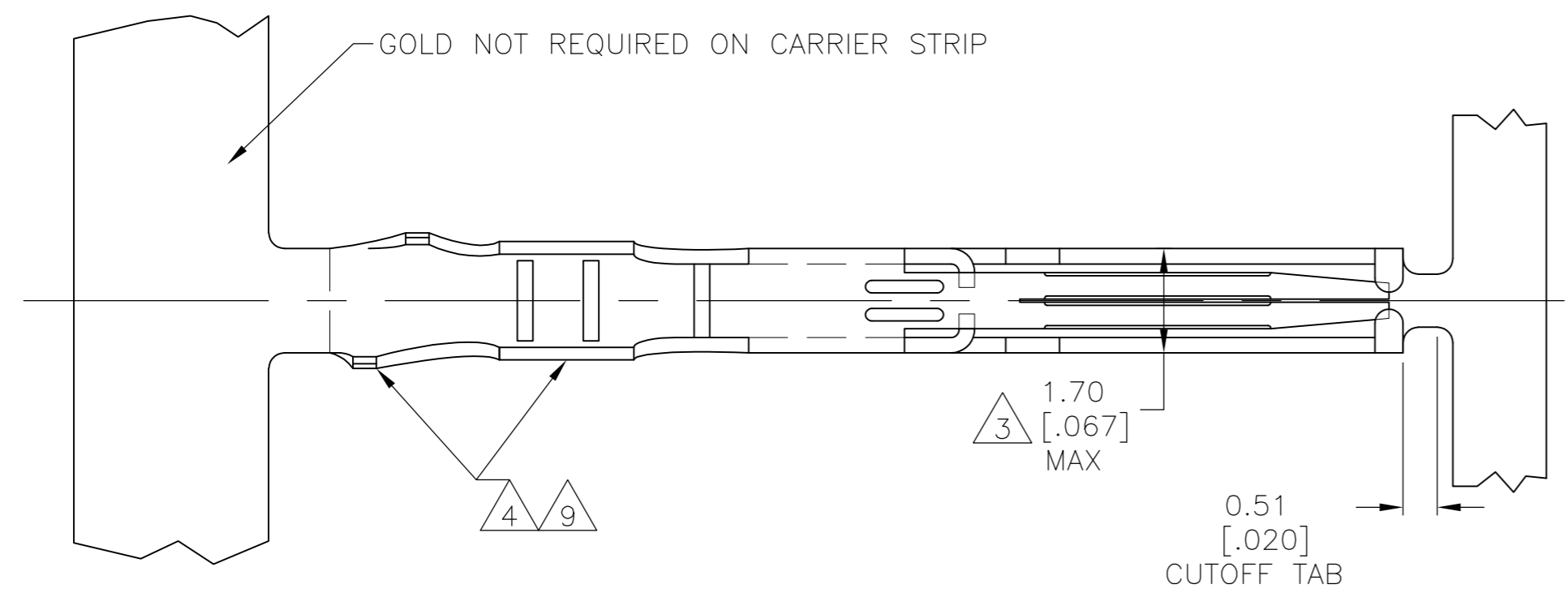
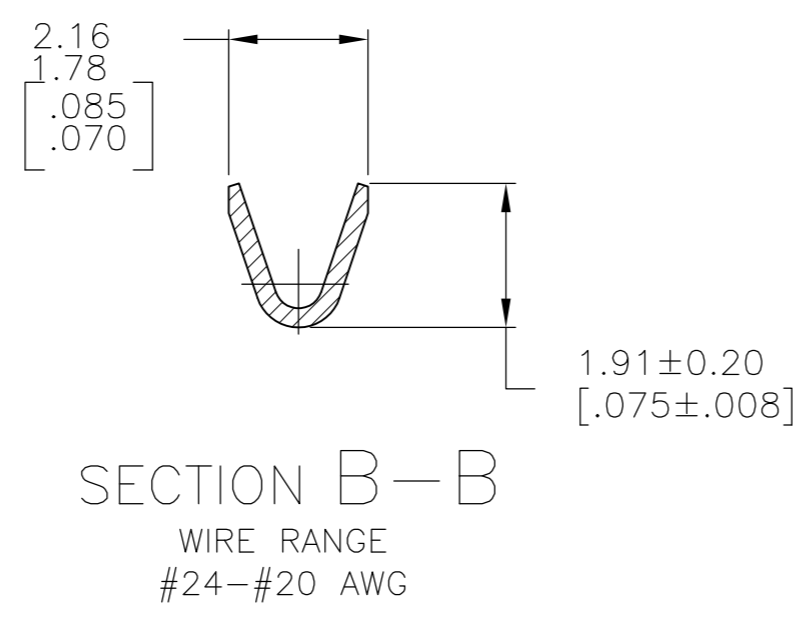
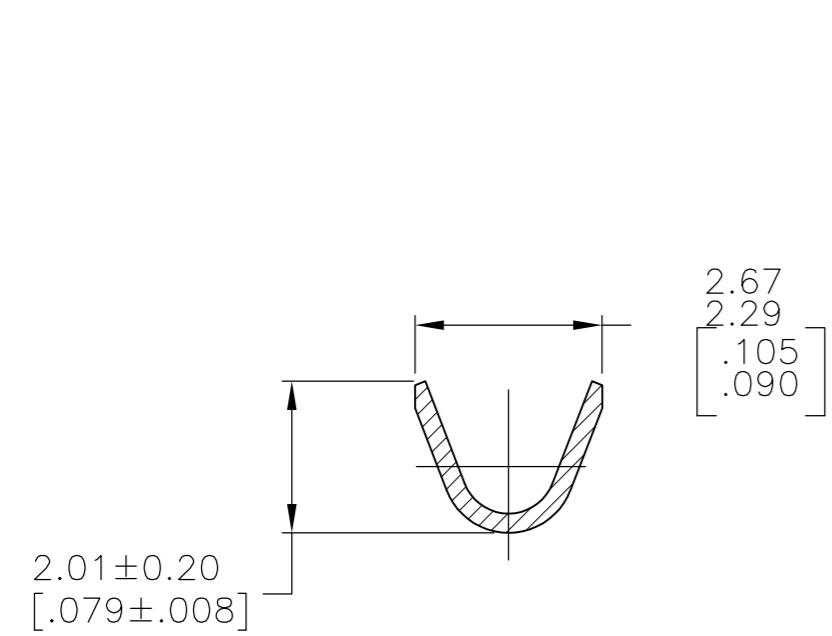
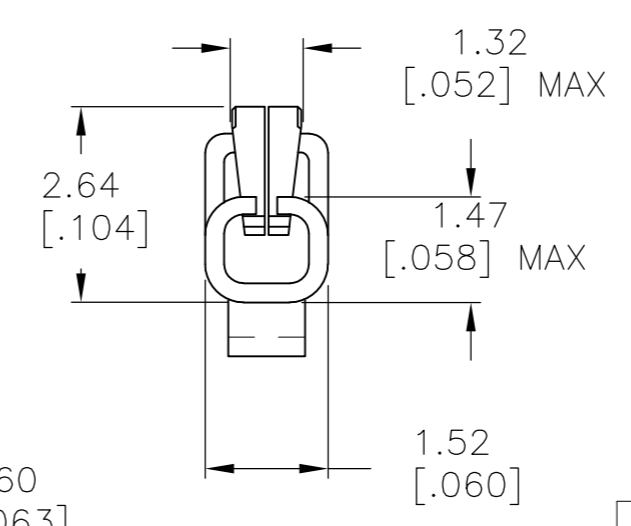
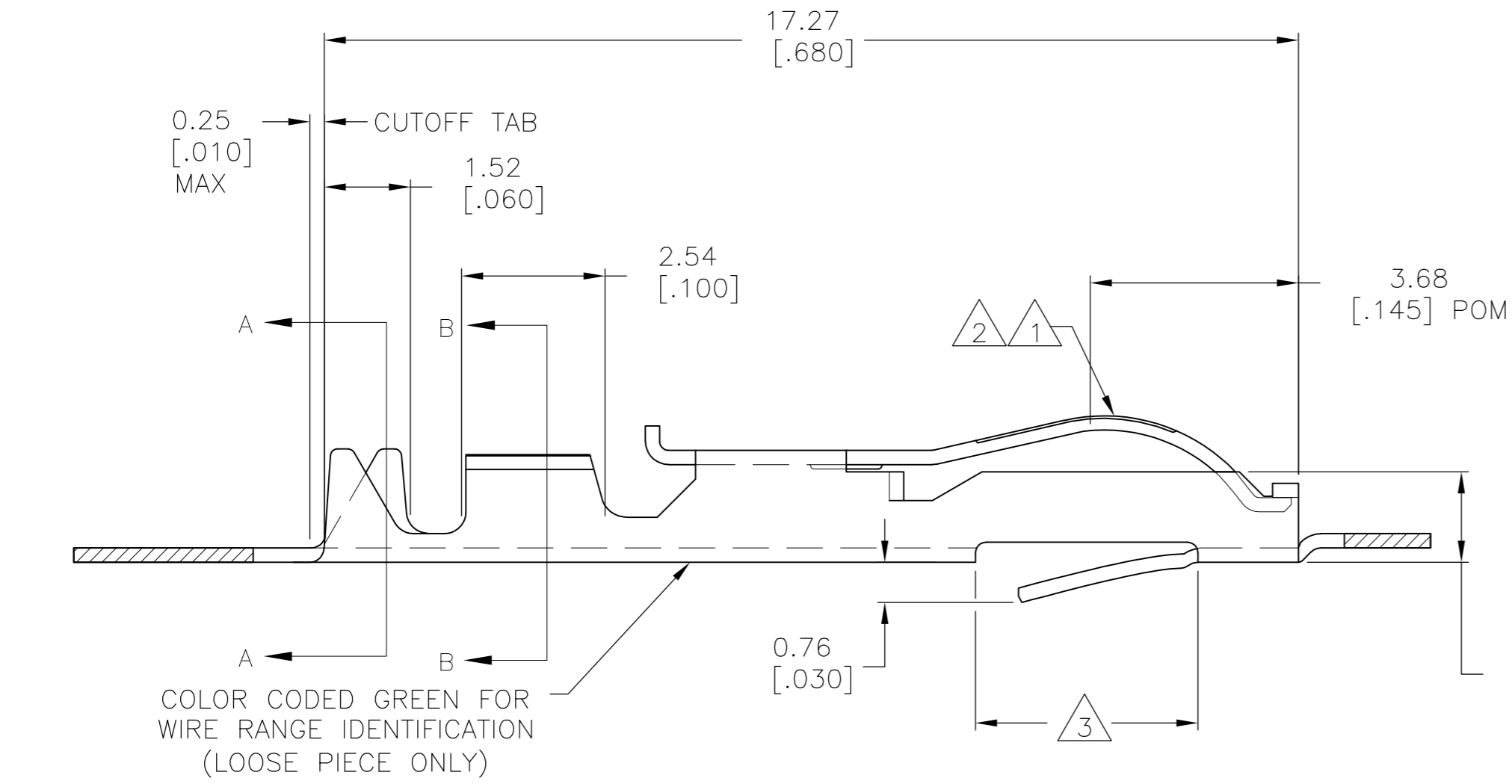


THIS DRAWING IS UNPUBLISHED. RELEASED FOR PUBLICATION
 © COPYRIGHT - By - ALL RIGHTS RESERVED.

LOC		DIST		REVISIONS			
P	LTR	DESCRIPTION		DATE	DWN	APVD	
AD	00	V3		REVISED PER ECO-11-004820	11MAR11	RK HMR	



- 1 .000030 GOLD OVER .000030 NICKEL IN CONTACT AREA.
- 2 .000015 GOLD OVER .000030 NICKEL IN CONTACT AREA.
- 3 .067 MAX ALLOWED IN LOCKING LANCE AREA
- 4 TIN-LEAD IN CRIMP AREA.
- 5 OBSOLETE
- 6 .000050 GOLD OVER .000050 NICKEL IN CONTACT AREA. REMAINDER OF CONTACT GOLD FLASH OVER NICKEL.
- 7 .000015 GOLD OVER .000030 NICKEL IN CONTACT AREA. REMAINDER OF CONTACT GOLD FLASH OVER NICKEL.
- 8 UNPLATED PARTS IN STRIP FORM REELED ON CORRUGATED REEL FOR SALABLE PART.
- 9 TIN PLATE IN CRIMP AREA
- 10 OBSOLETE PARTS: OBSOLETE CIS STREAMLINING PER D.RENAUD/D.SINISI



10	DESCRIPTION	STRIP PART # REELING LEFT TO RIGHT	STRIP PART # REELING RIGHT TO LEFT	FINISH	LOOSE PIECE
		5-583853-3	-	1 9	5-583853-5
10	OBSOLETE	5-583853-2	5-583853-7	2 9	5-583853-4
		1-583853-3	-	8	1-583853-1
	OBSOLETE	1-583853-0	1-583853-2	7	1-583853-1
		583853-8	-	6	583853-9
	OBSOLETE	583853-3	583853-6	1 4	583853-5
10	OBSOLETE	583853-2	583853-7	2 4	583853-4

THIS DRAWING IS A CONTROLLED DOCUMENT.

DWN	A. STAUB BG	02AUG93
CHK	H ROSE	18FEB94
APVD	H ROSE	18FEB94
PRODUCT SPEC		
APPLICATION SPEC		
WEIGHT	-	
CUSTOMER DRAWING		

STE TE Connectivity

CONTACT-TWIN LEAF (CRIMP-SNAP)

SIZE	A2	CAGE CODE	00779	DRAWING NO	C=583853	RESTRICTED TO	-
SCALE	10:1	SHEET	1 of 1	REV	V3		