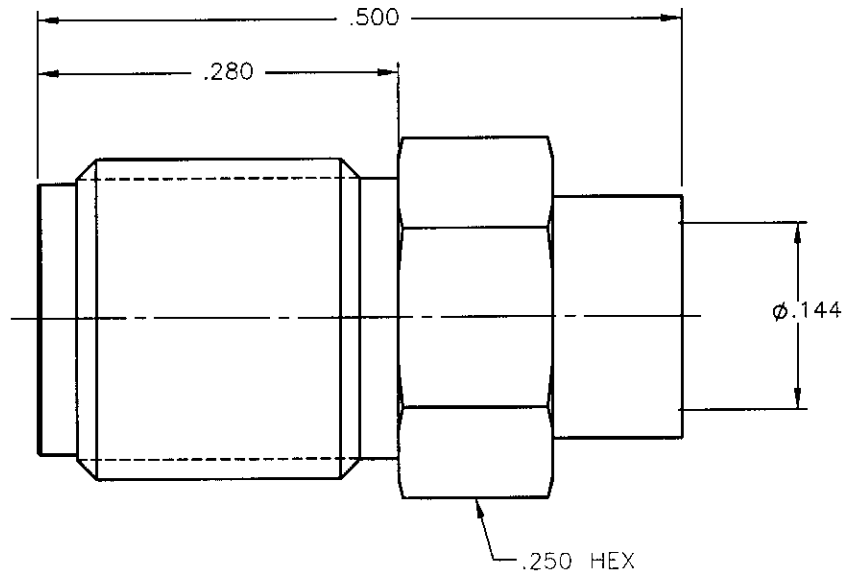


REVISIONS			
REV.	DESCRIPTION	DATE	APPROVED
A	ECO #7366	11/24/08	D.N.



NOTES:

MATERIALS:


1. BODY = STAINLESS STEEL PER ASTM A582, ALLOY 303, CONDITION "A".
2. INSULATOR = VIRGIN WHITE TEFLON PER ASTM D1710, GRADE 1, TYPE I, CLASS "B".
3. CONTACT = BERYLLIUM COPPER PER ASTM B196, ALLOY C17300, TEMPER TD04.

FINISHES:

1. BODY = GOLD PLATE PER MIL-G-45204, TYPE II, CLASS 0, GRADE C, OVER .000050 TO .00010 STRESS FREE NICKEL PER QQ-N-290.
2. CONTACT = GOLD PLATE PER MIL-G-45204, TYPE II, CLASS 1, GRADE C, OVER .00010 TO .00020 STRESS FREE SULFAMATE NICKEL PER QQ-N-290.

Property of Radiall Incorporated  
 This document cannot be reproduced or  
 communicated to a third party without prior  
 written permission of RADIALL Incorporated.

9402-1083-009

UNLESS OTHERWISE SPECIFIED DIMENSIONS ARE IN INCHES TOLERANCES ON		DWN: D.N.	DATE 11/24/08	 <b>APPLIED ENGINEERING PRODUCTS</b> 104 John W. Murphy Dr. New Haven, CT 06513
		CHKD: A.D.M.	DATE 11/24/08	
DECIMAL	ANGLE	APVD: J.M.	DATE 11/24/08	<b>SMA STRAIGHT JACK          DIRECT SOLDER TYPE          FOR .141 S/R &amp; SIMILAR CABLES</b>
REFERENCE:		MATERIALS & FINISHES: SEE NOTES		
ORIGINATED: D.N. DATE: 12/02/98		SIZE A	FSCM NO. 19505	DWG NO. 9402-1083-009
		SCALE 7:1	THIRD ANGLE PROJECTION	REV A
				SHEET 1 OF 1