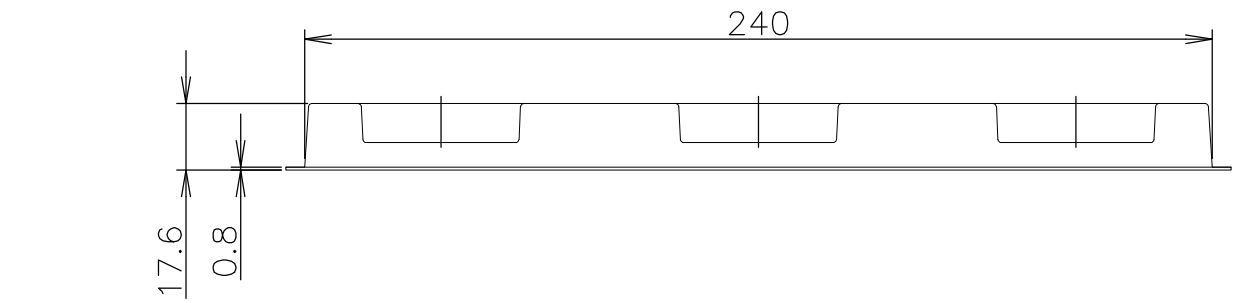
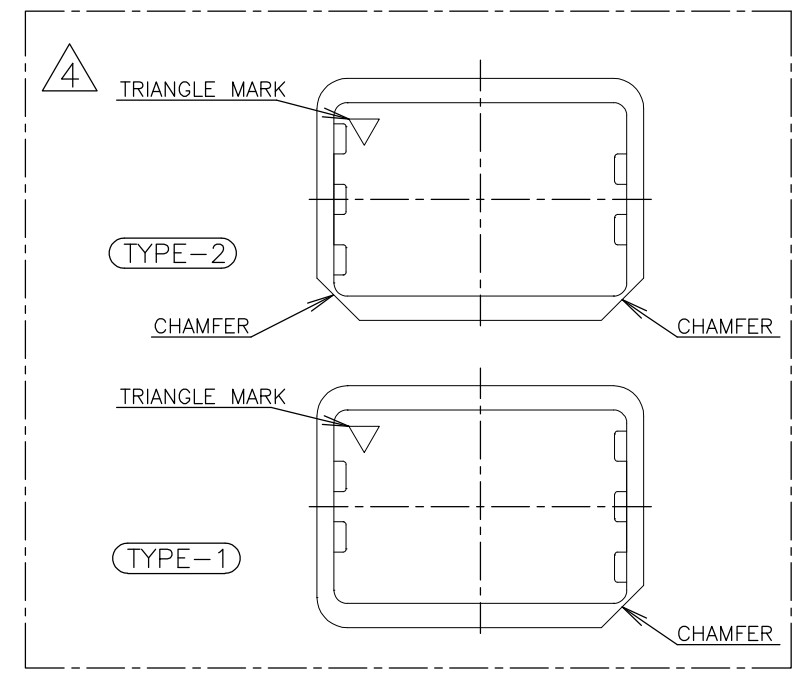
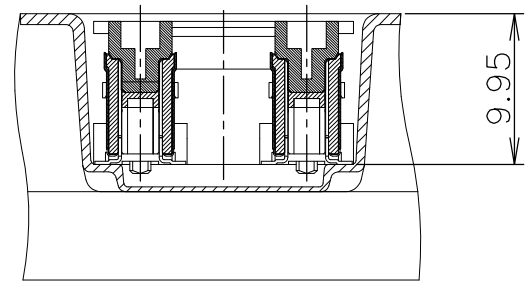
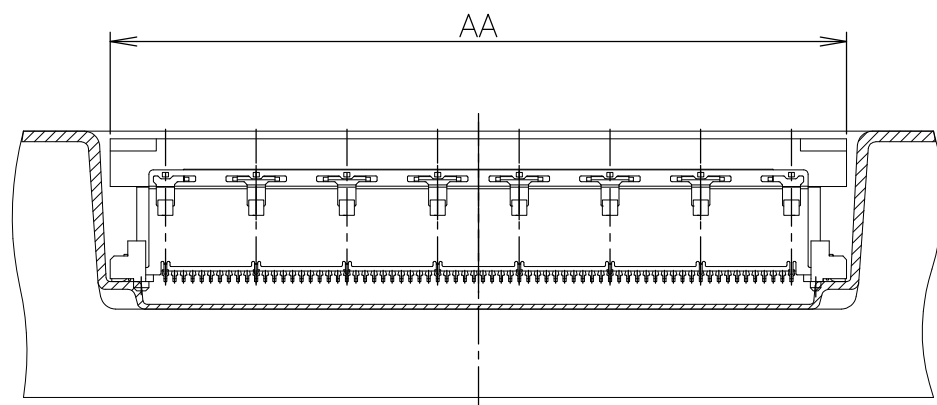
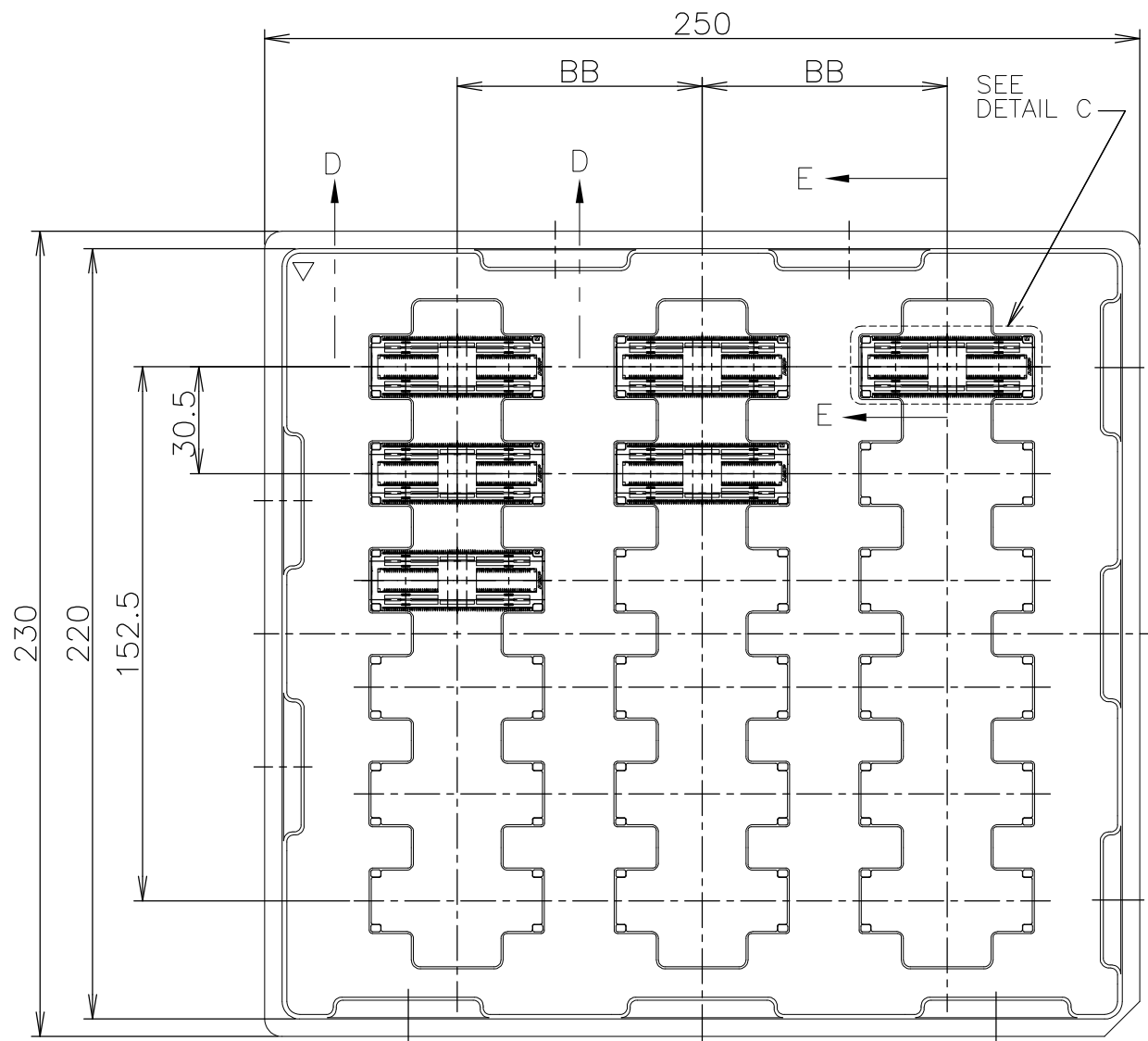


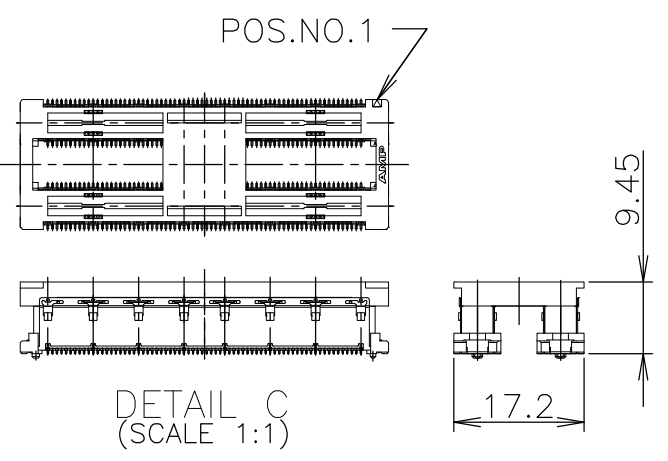
THIS DRAWING IS UNPUBLISHED. RELEASED FOR PUBLICATION JAN , 1997.
 © COPYRIGHT 1997 BY TYCO ELECTRONICS CORPORATION. ALL RIGHTS RESERVED.

LOC J	DIST	REVISIONS 変更			DATE	DWN	APVD
P	LTR	DESCRIPTION					
	A	REVISED ECR-08-000339		01FEB08	T.T	T.F	

AS SHOWN: TYPE-1



SEALANT	NOT AVAILABLE	3	18	70	54.7	320	6-5353727-1
	AVAILABLE	↑	↑	↑	48.7	280	6- ↑ -0
NON SEALANT	NOT AVAILABLE	↓	↓	↓	42.7	240	5- ↓ -9
	NOT AVAILABLE	3	18	70	36.7	200	5-5353727-8
SEALANT	NOT AVAILABLE	3	18	70	54.7	320	1-5353727-1
	AVAILABLE	↑	↑	↑	48.7	280	1- ↑ -0
NON SEALANT	NOT AVAILABLE	↓	↓	↓	42.7	240	↓ -9
	NOT AVAILABLE	3	18	70	36.7	200	5353727-8
TOOLING STATUS		ROW	QTY	BB	AA	POS.	PART NO.



GENERAL TOLERANCE
一般公差

10 ≥ ±0.2
30 ≥ >10: ±0.25
100 ≥ >30: ±0.3
ANGLES: ±3°

THIS DRAWING IS A CONTROLLED DOCUMENT.

DIMENSIONS: 单位: 耗 mm

TOLERANCES UNLESS OTHERWISE SPECIFIED: 一般公差

0 PLC ± -
1 PLC ± -
2 PLC ± -
3 PLC ± -
4 PLC ± -
ANGLES ± -

MATERIAL 材料

FINISH 仕上

DWN LEO ZHOU 17NOV04
 CHK STEVEN YAO 17NOV04
 APVD I.ENOMOTO 17NOV04

Tyco Electronics Tyco Electronics Corporation
Kawasaki, Japan

NAME 名称
SOFT TRAY ASSY
FH 0.6BTB CONNECTOR
PLUG 8H W/G-PLATE 2ROW TYPE

PRODUCT SPEC 製品規格
108-60047

APPLICATION SPEC 取付適用規格
114-5255

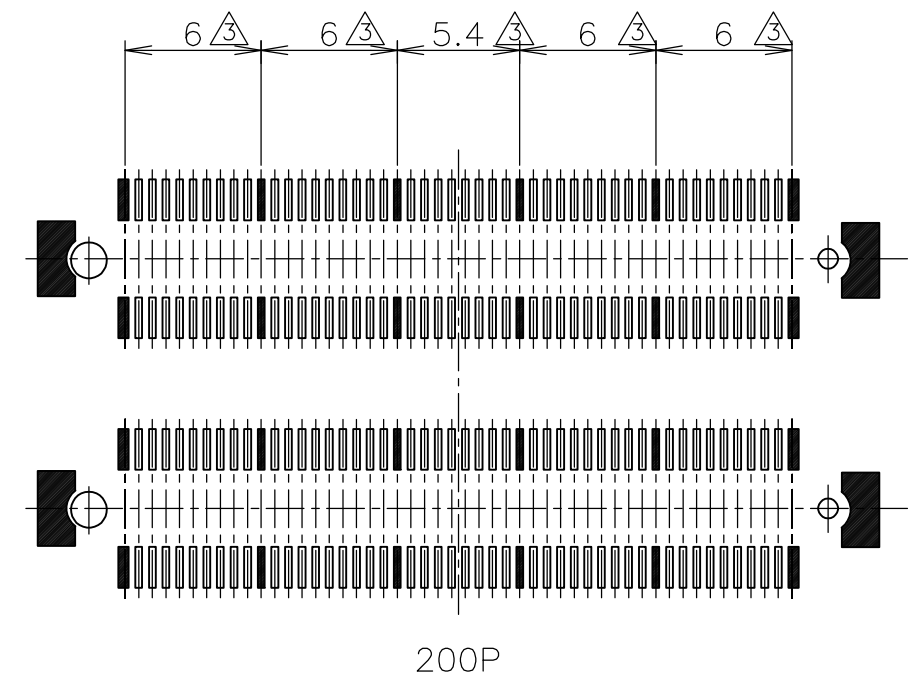
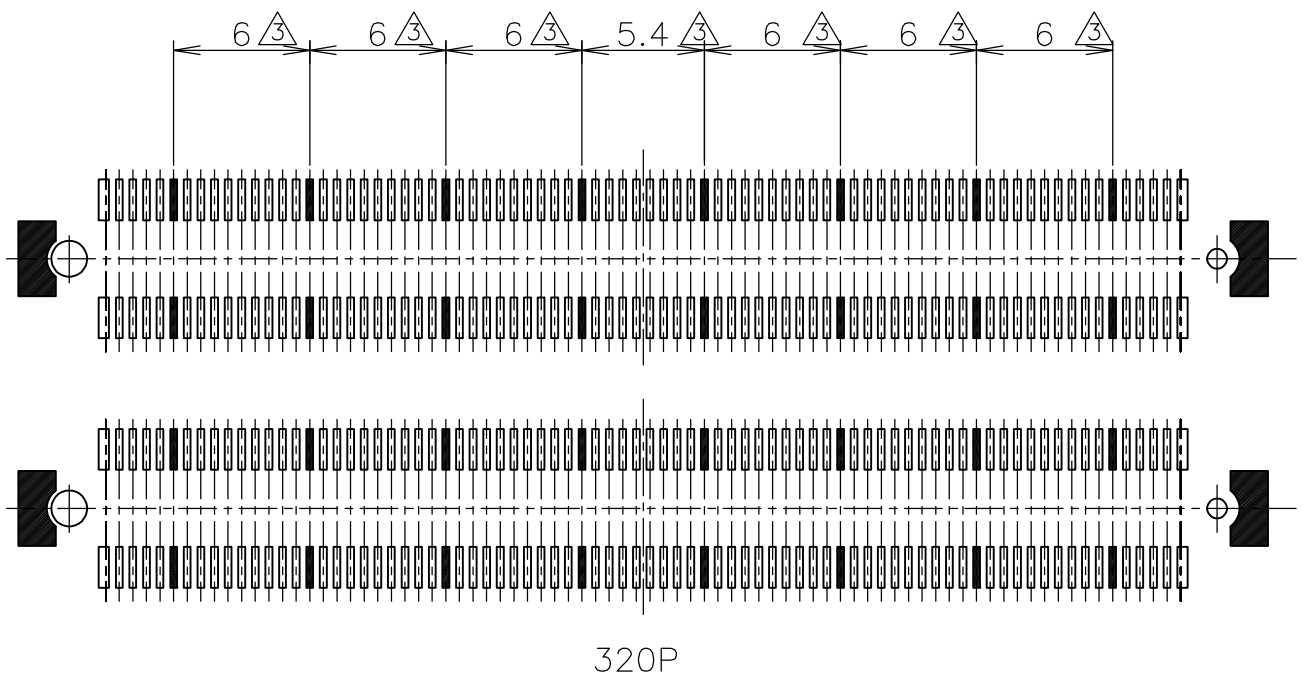
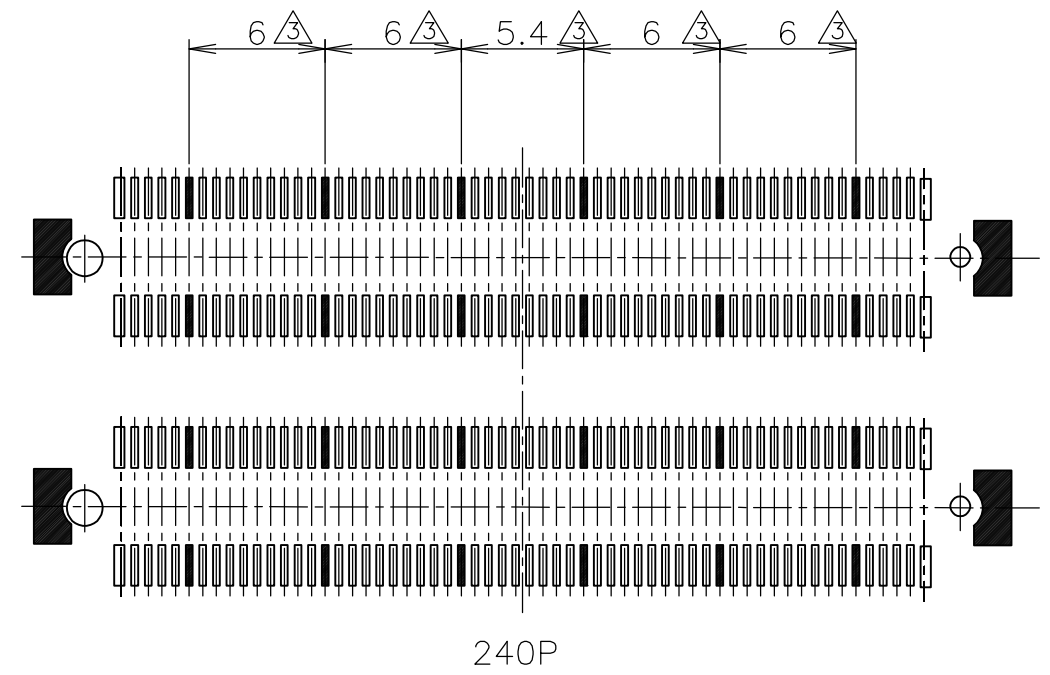
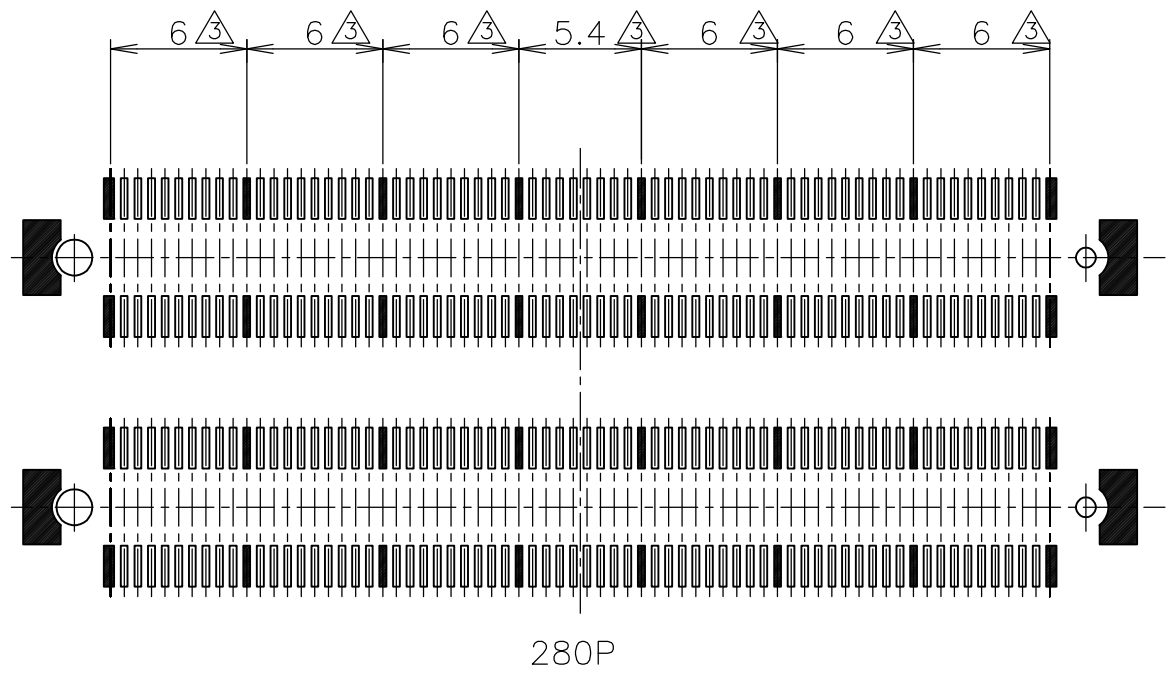
WEIGHT

SIZE A3 CAGE CODE 00779 DRAWING NO. 番号 G-5353727 RESTRICTED TO

CUSTOMER DRAWING SCALE 尺度 1:2 SHEET 1 OF 3 REV A

THIS DRAWING IS UNPUBLISHED. RELEASED FOR PUBLICATION JAN , 1997.
 © COPYRIGHT 1997 BY TYCO ELECTRONICS CORPORATION. ALL RIGHTS RESERVED.

LOC	DIST	REVISIONS 変更			DATE	DWN	APVD
J		P	LTR	DESCRIPTION			
			-	SEE SHEET 1	-	-	-



THIS DRAWING IS A CONTROLLED DOCUMENT.		DWN	Tyco Electronics Corporation Kawasaki, Japan	
DIMENSIONS: 単位: 耗 mm	TOLERANCES UNLESS OTHERWISE SPECIFIED: 一般公差	CHK	NAME 名称	
	0 PLC ± -	APVD	SOFT TRAY ASSY	
	1 PLC ± -	PRODUCT SPEC 製品規格	FH 0.6BTB CONNECTOR	
	2 PLC ± -	APPLICATION SPEC 取付適用規格	PLUG 8H W/G-PLATE 2ROW TYPE	
	3 PLC ± -	WEIGHT	SIZE	RESTRICTED TO
MATERIAL 材料	FINISH 仕上	CAGE CODE	DRAWING NO 番号	
①	②	A3	00779	G-5353727
CUSTOMER DRAWING		SCALE 尺度	SHEET	REV
		3:1	3 OF 3	A