



POWER LINE COMMON MODE VCMB82726-162N

- PCB UL94V-0 Base
- PCB Spacer
- Ferrite Core
- Operating temp range: -40°C to +125°C

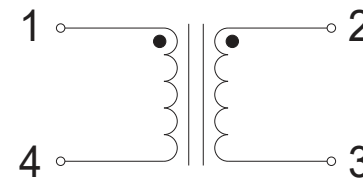
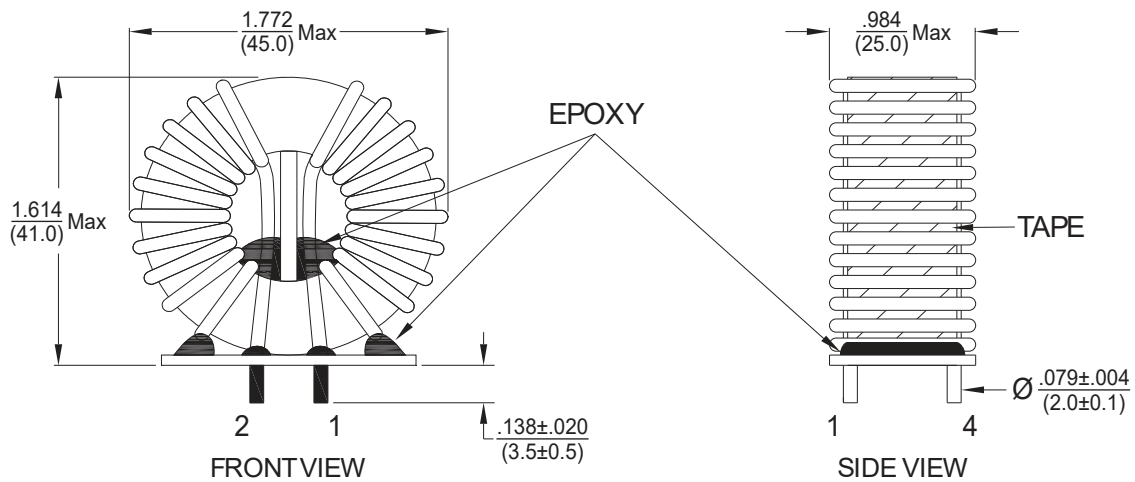


Primary Electrical Specifications @ 25°C				
Inductance @ 10KHz, 0.1V	DC Resistance (mΩ) Max	Turns Ratio @ 15.75KHz, 1.0V	Rated Current	HI-POT 2 Sec
(1 - 4) = (2 - 3)	(1 - 4) = (2 - 3)	(1 - 4) : (2 - 3)		Wdg - Wdg
1.6mH	4.5mΩ Max	1 : 1 ± 5%	20.0A	1500VAC/2SEC

All specifications subject to change without notice.

MECHANICAL

Dimensions: $\frac{\text{inch}}{\text{(mm)}}$



BOTTOM VIEW

SCHEMATIC