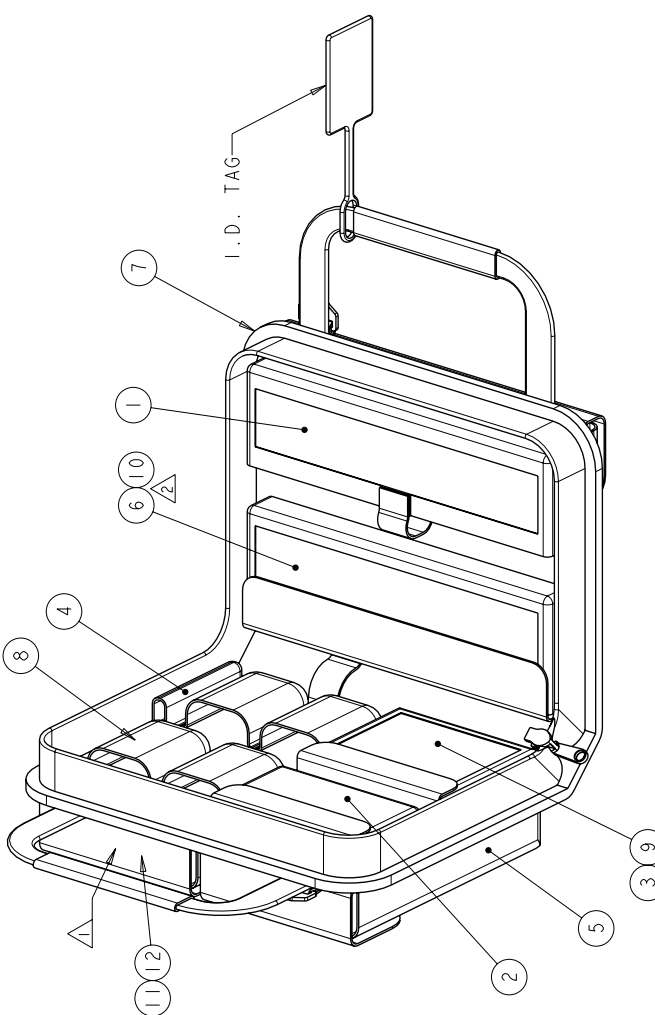


REV. NO.	DATE	DESCRIPTION
6	12JAN2009	REV PER ECR-09-000232
H	09MR2009	ECR-09-005877



- 1. MANUFACTURER'S INSTRUCTION SHEETS.
- 2. OPTIONAL SHOULDER STRAP.
- 3. INSTRUCTION SHEETS 408-4020, 408-8925, 408-4471 AND 408-10103 EXPLAIN THE LightCrimp Plus LC TERMINATION TECHNIQUE AND ARE AVAILABLE FOR DOWNLOAD AT www.tycoelectronics.com/documents/or www.ampnetconnect.com/foguide

ITEM NO.	PART NUMBER	DESCRIPTION
1	2064710-1	FIBER OPTICS CLEANING & INSPECTION GUIDE
1	1374503-1	CD ROM, TERMINATION TRAINING
1	1754765-1	MICROSCOPE ADAPTER, 1.25mm
1	1278625-1	CABLE CLAMP
1	2064453-2	CABLE SLITTER, 2mm
1	1278540-1	PREMIUM SOFT CASE
1	1754767-1	200x MICROSCOPE KIT
1	1871696-1	FIBER CLEAVER, SLIDE CUTTER
2	1278422-1	OPEN END WRENCH, 1/4IN
1	2064540-1	CABLE HOLDER, LightCrimp Plus/LC/SC
1	1985766-1	DIESET, LightCrimp Plus/LC/SC/SPLICE
1	2064431-1	HANDTOOL FRAME, BLACK
-2	-1	ITEM NO.

CHK. BY: RBL/GGS	18MAY2006	Tyco Electronics Harrisburg, PA 17105-3608
APP. BY: S. BUCHNER	18MAY2006	ADAPTIVE TERMINATION KIT, LightCrimp Plus, AMP SC/LC
PRODUCT SPEC		RESTRICTED TO
APPLICATION SPEC		AMP SC/LC
SIZE	CAGE CODE	DRAWING NO
		A200779
WEIGHT		SCALE
		1:1
CUSTOMER DRAWING		