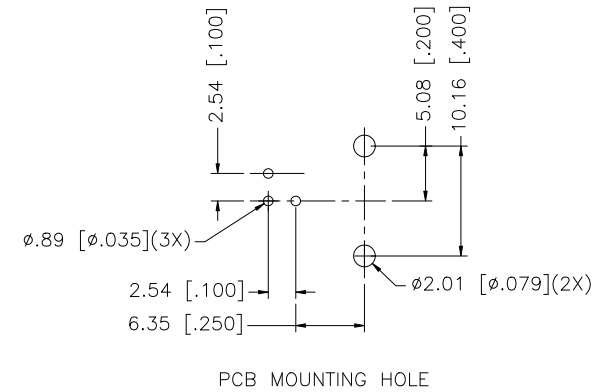
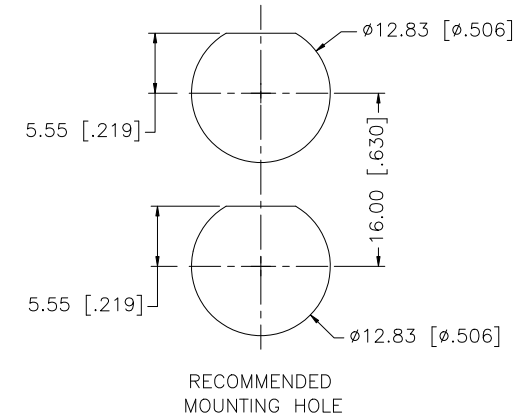
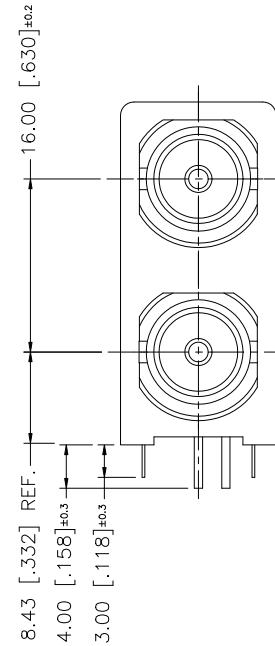
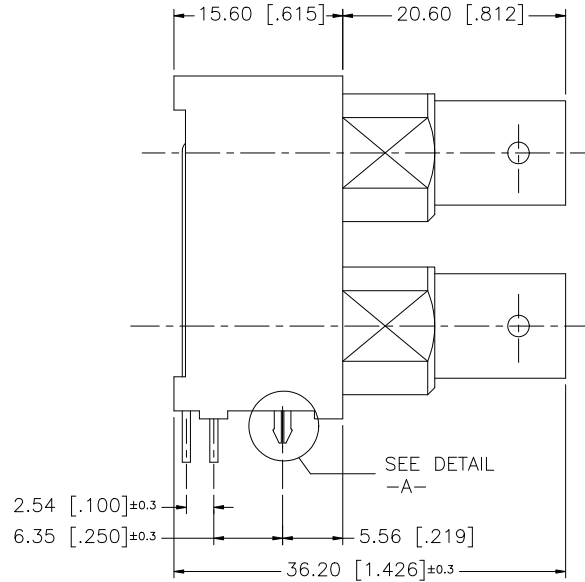
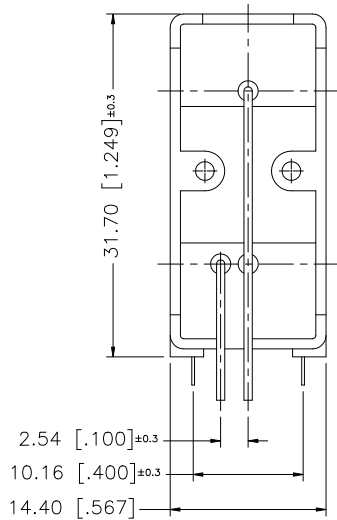
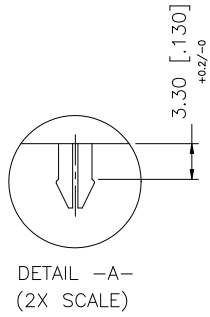


REV.	DATE	ECR NO.	DESCRIPTION
A	10/29/02	-	MODIFY DESCRIPTION
B	02/25/09	100083	UPDATE DRAWING FORMAT



8				
7				
6	MOUNTING POST	BRASS	BRT. TIN	1
5	POST	COPPER	BRT. TIN	1
4	CONTACT PIN	BER. COPPER	GOLD FLASH	1
3	CONTACT PIN	BER. COPPER	GOLD FLASH	1
2	INSULATOR	P.P.	NATURAL	1
1	BODY	ZINC DIE CAST	NICKEL	1
	DESCRIPTION	MATERIAL	FINISH	QTY

UNLESS OTHERWISE SPECIFIED DIMENSIONS ARE IN MILLIMETERS. DIMENSIONS IN [] ARE IN INCHES AND FOR CUSTOMER REFERENCE ONLY.

UNLESS OTHERWISE SPECIFIED TOLERANCES FOR MILLIMETERS ARE:
0.5 - 8mm ± 0.20mm
8 - 30mm ± 0.40mm
30 - 120mm ± 0.50mm

UNLESS OTHERWISE SPECIFIED TOLERANCES FOR INCHES ARE:
.020 - .315 = ± 0.007"
.315 - 1.180 = ± 0.015"
1.180 - 4.724 = ± 0.020"

DO NOT SCALE DRAWING

APPROVALS	DATE
DRAWN GRS	02/25/09
CHECKED	
ISSUED	
SHEET 1 OF 1	
CAD FILE	C:/112/112707.DWG

Amphenol Connex

PART DESCRIPTION
**DUAL PORT BNC PCB MOUNT
RECEPTACLE - DIE CAST 75ohm**

PART NO.
112707

DWG. NO.	112707.DWG	REV.	B	SIZE	A	SCALE	NA
----------	------------	------	---	------	---	-------	----