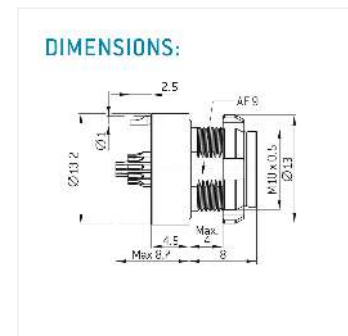
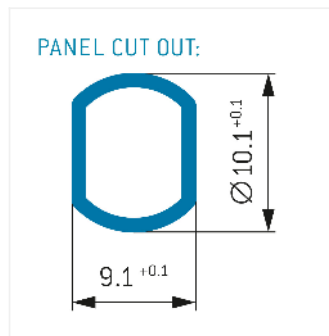
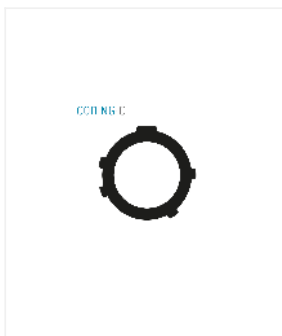


## General information

Part number	GKOWCM-P09WMM0-000L
Termination	solder
Size	0
Locking principle	break
Coding	c_key_amc
Cable Diameter	cable_amchd_0



## Contact insert description

Number of contacts	9
Contact type	sockets
Contact diameter	3_03_6_07mm
Insulator material	peek
Wire cross section	22_awg_28_awg
Termination	solder
Data transmission	usb_2_power

reverse\_gender\_on\_request

## Connection diagram

con\_usb\_2\_power

## Technical information

Nominal current single contact	1_5_a	iec_60512_5_2
Test voltage	075_kv_dc	eia_364_20f

safety\_text

## Mechanical and environmental data

Degree of protection*	ipsk8_ip6k9k
Operating temperature	51_125_c
Mating cycles	5000

mated

### Material and surface treatments

**Housing**

ruthenium

**Contact**

cu\_alloy\_gold

data\_text

safety\_text\_2

data\_text

ul\_text

illustrative\_text