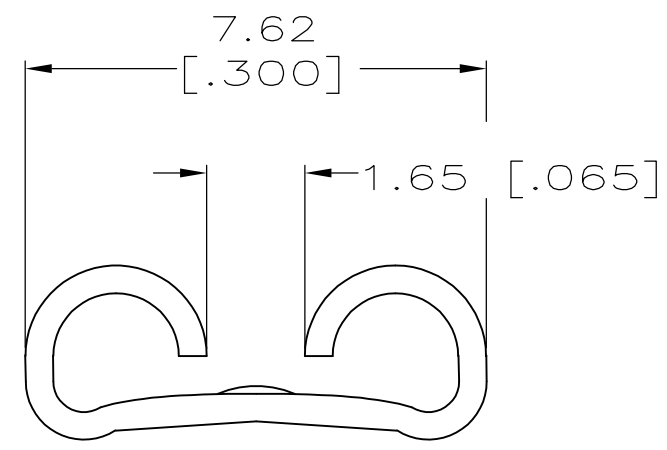
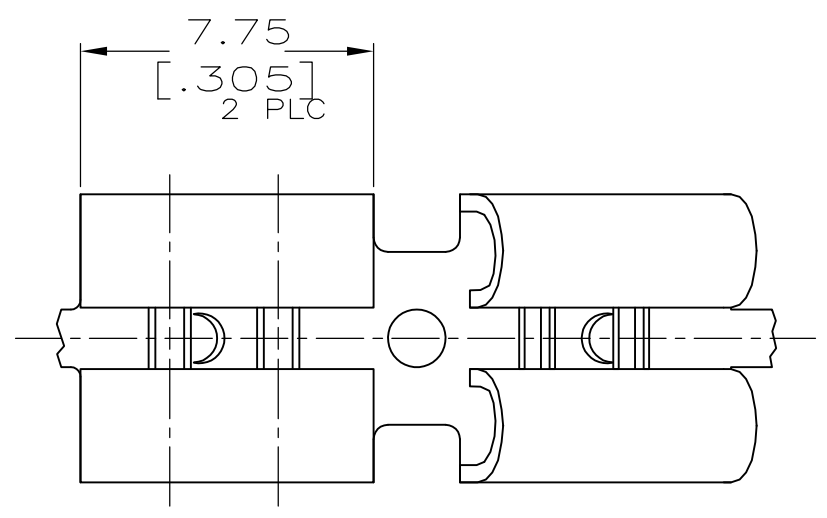


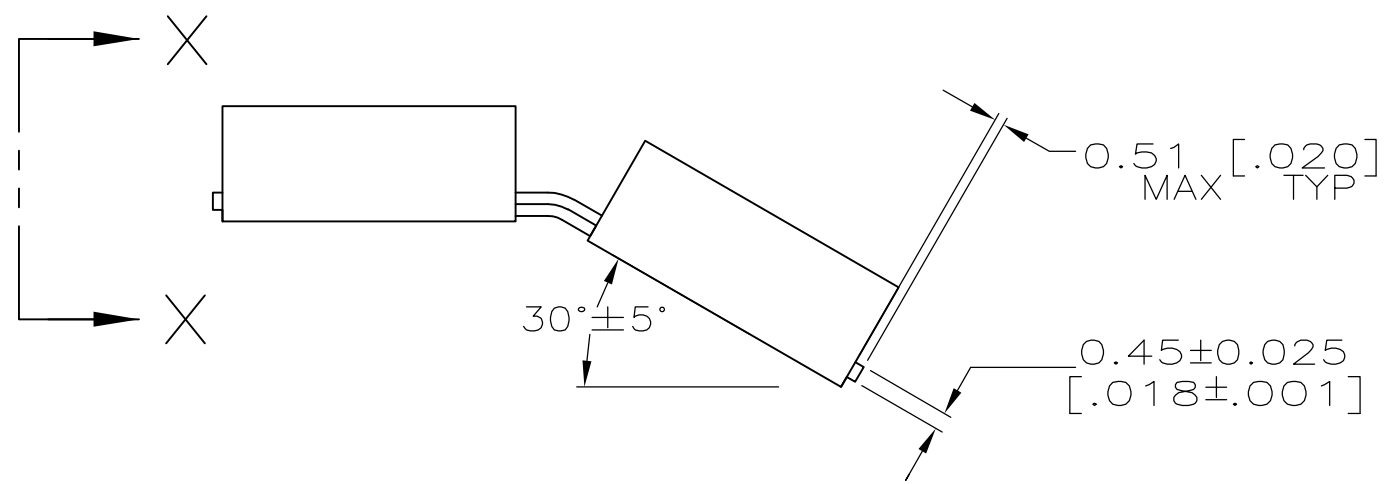
THIS DRAWING IS UNPUBLISHED. RELEASED FOR PUBLICATION  
 © COPYRIGHT - By - ALL RIGHTS RESERVED.

LOC	DIST	REVISIONS			
P	LTR	DESCRIPTION	DATE	DWN	APVD
AF	50	F	REVISED PER ECR-12-013518	23NOV2012	KH PD

- 1 SUPPLIED IN LOOSE PIECE
- 2 MATING TAB THK TO BE  $0.81 \pm 0.025$  [.032 ± .001]



VIEW X-X  
SCALE 8:1



1217283-1  
PART NO.

THIS DRAWING IS A CONTROLLED DOCUMENT.		DWN	JR RUTH	17DEC99	<b>STE</b> TE Connectivity						
DIMENSIONS: mm [INCHES]		CHK	MS FEHER	17DEC99							
		APVD	S HEADER	17DEC99							
		TOLERANCES UNLESS OTHERWISE SPECIFIED:		NAME		RECEPTACLE, FASTON™ ADAPTER, 6.35 [.250] SERIES					
MATERIAL		PRODUCT SPEC		APPLICATION SPEC	SIZE	CAGE CODE	DRAWING NO	RESTRICTED TO			
BRASS		FINISH		WEIGHT	A3 00779		C-1217283	—			
0.002032 [.000080] MIN TIN		0 PLC ± - 1 PLC ± - 2 PLC ± 0.25 [.010] 3 PLC ± - 4 PLC ± - ANGLES ± -		CUSTOMER DRAWING		SCALE	5:1	SHEET	1 OF 1	REV	F