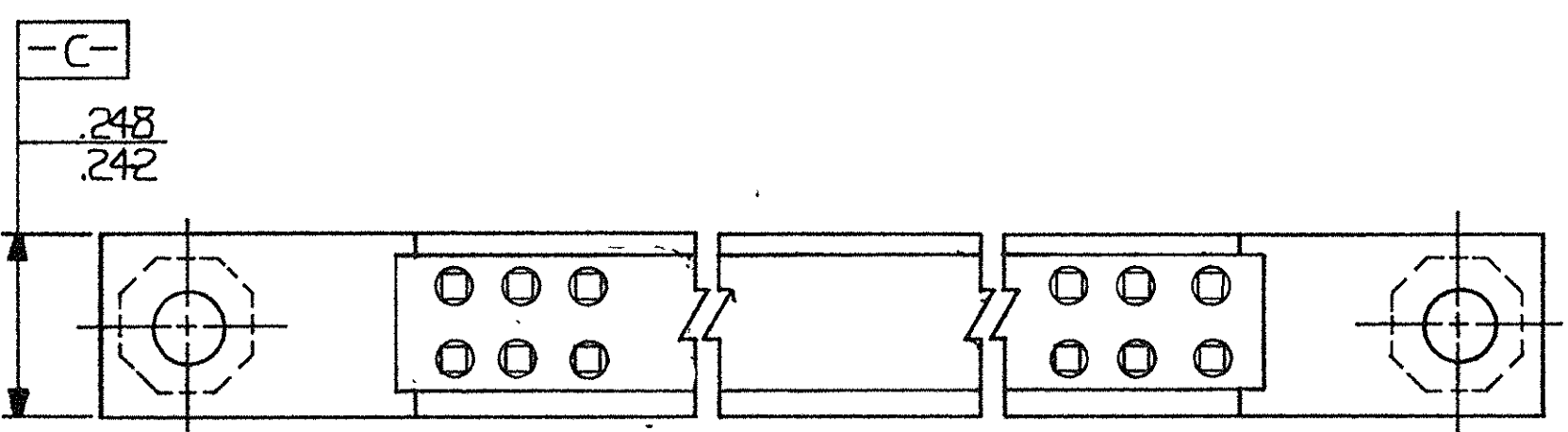
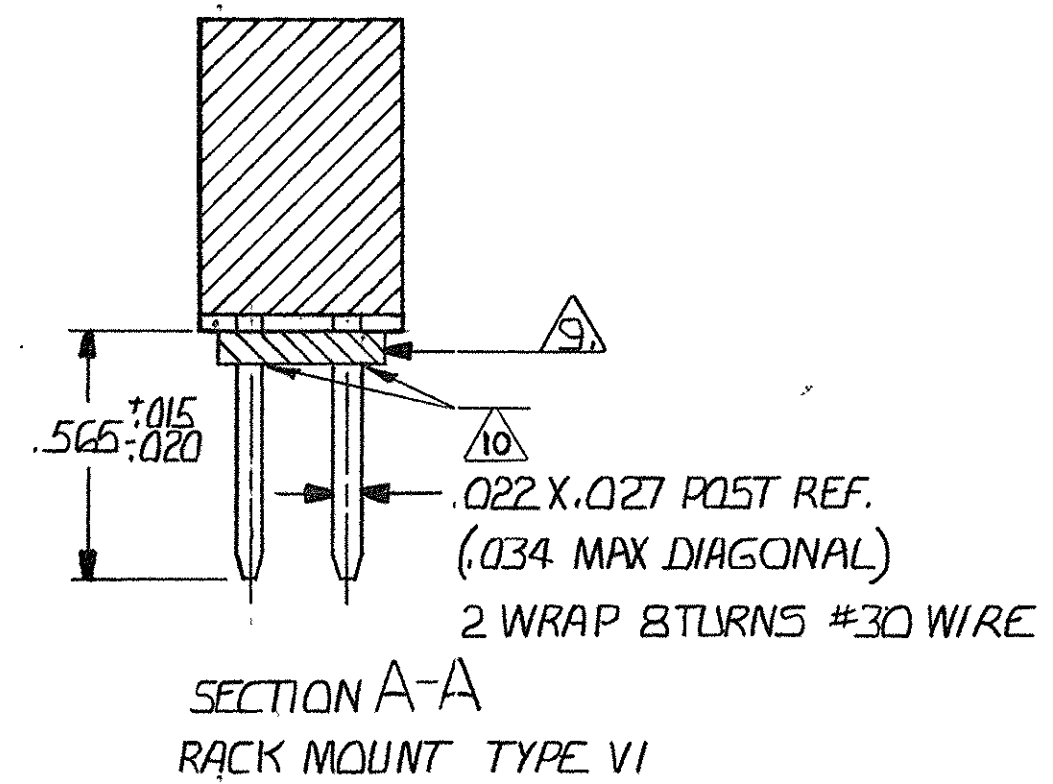
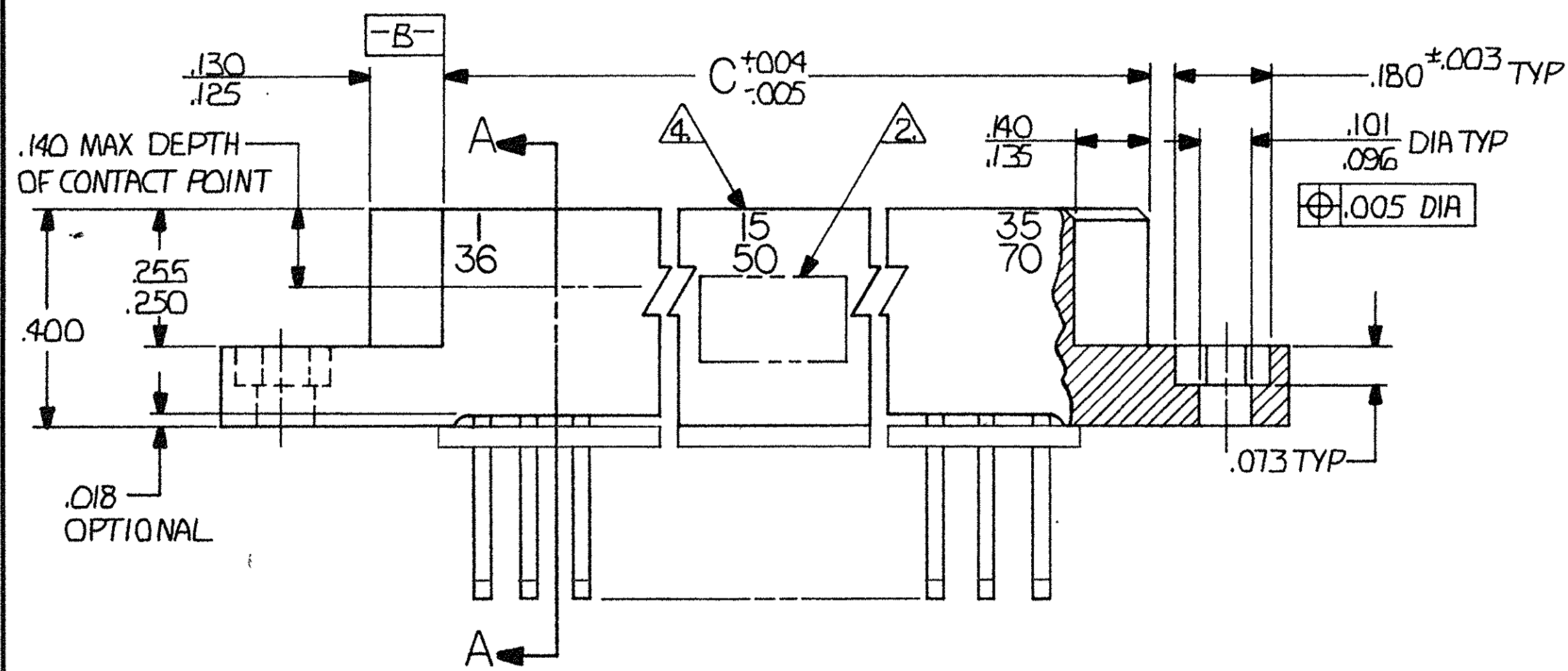
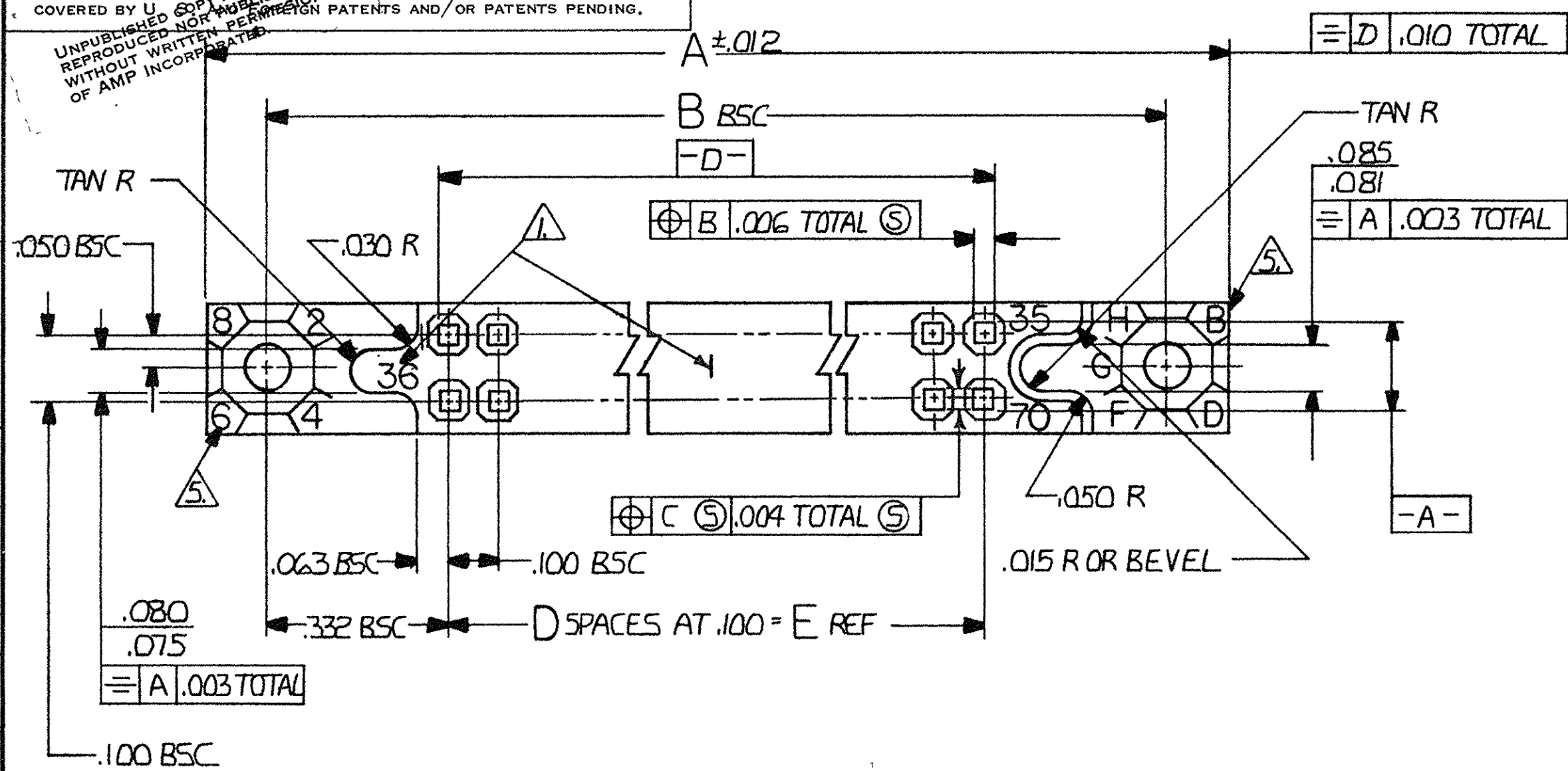


© COPYRIGHT 1970 BY AMP INCORPORATED, HARRISBURG, PA.
 ALL INTERNATIONAL RIGHTS RESERVED, AMP INCORPORATED PRODUCTS
 COVERED BY U.S. PATENTS AND FOREIGN PATENTS AND/OR PATENTS PENDING.

UNPUBLISHED OR REPRODUCED WITHOUT WRITTEN PERMISSION OF AMP INCORPORATED.

| REVISIONS | | | | | | |
|-----------|---|------|-----|-------------------------|---------|--------------|
| P | F | ZONE | LTR | DESCRIPTION | DATE | APPROVED |
| | ✓ | | 01 | REVISED 5061 m.s. | 2-2-77 | |
| | ✓ | | 02 | REVISED 6153 DLK | 7-19-79 | rb |
| 03 | ✓ | | 03 | MIL. P/N'S ASSIGNED | DLK | 4-80 rno |
| ✓ | ✓ | | A | REV. PER ECN AB-0535 | db | 02-02-85 EAM |
| ✓ | ✓ | | B | REV. PER DF-0457 | 5-10-88 | SG 98 |
| ✓ | ✓ | | C | OBS-12-13 ECN DF 0977 | ZP | 11-86 T.W. |
| ✓ | ✓ | | D | REACT-12,13 PER DF-1282 | T.W. | 1-89 Sam |
| ✓ | ✓ | | E | REV PER DF-2240 | T.W. | 10-89 ASAL |
| ✓ | ✓ | | F | REV PER ECO-00-5859-96 | TT | 4-98 UJL |
| | | | G | REV PER ECO-05-013278 | 11-05 | PY |
| | | | H | REV PER ECO 16-018559 | CT | 1-17 RL |



| | | | |
|---|-----------|---|--------------|
| UNLESS OTHERWISE SPECIFIED DIMENSIONS ARE IN INCHES. TOLERANCES ON: DECIMALS ±.005 ANGLES 1.8.9. | | CONTRACT NO DR Robert Wolbert 11-12-76 CHK R. Williams 11-23-76 APPD R. Williams 11-23-76 APPD D.C. Myers 11-29-76 DSGN APPD OTHER APPD | PART NO |
| MATERIAL | | NAME BOX CONNECTOR RECEPTACLE ASSY .100 GRID EXTERNAL KEYING | REV H |
| FINISH | SCALE 4-1 | SIZE CODE IDENT NO DRAWING NO C 00779 530777 | SHEET 1 OF 2 |


© COPYRIGHT 19 BY AMP INCORPORATED, HARRISBURG, PA.
 ALL INTERNATIONAL RIGHTS RESERVED. AMP INCORPORATED PRODUCTS
 COVERED BY U. S. AND FOREIGN PATENTS AND/OR PATENTS PENDING.

UNPUBLISHED COPY NOT TO BE
 REPRODUCED NOR PUBLISHED
 WITHOUT WRITTEN PERMISSION
 OF AMP INCORPORATED.

| REVISIONS | | | | | | |
|-----------|---|------|-----|----------------------|------|----------|
| P | F | ZONE | LTR | DESCRIPTION | DATE | APPROVED |
| | | | | H [SEE SHEET 1 OF 2] | | |

- 1. NUMBERS AND LINES INDICATING EVERY FIVE CAVITIES MOLDED OR MARKED ON MATING FACE.
- 2. AMP PART NUMBER DATE CODE, 00779 & MILITARY PART NUMBER MOLDED OR MARKED THIS AREA. SIDE OPTIONAL
- 3. MUST MEET ALL APPLICABLE REQUIREMENTS OF MIL-C-55302.
- 4. NUMBERS INDICATING EVERY FIVE CAVITIES MOLDED OR MARKED ON SIDE.
- 5. KEY POSITION IDENTIFICATION MOLDED ON SURFACES SHOWN.
- 6. USE EXTERNAL KEY NUMBER 530341-1 MATES WITH PART NUMBER 530339.
- 7. HOUSING MATERIAL: DIALLYL PHTHALATE COLOR: BLUE PER MIL-M-14 TYPE SDG-F.
- 8. CONTACT MATERIAL: BERYLLIUM COPPER OR COPPER-NICKEL-SILICONE .000050 GOLD OVER NICKEL IN MATING AREA
- 9. POST STABILIZER MATERIAL: GLASS FILLED THERMOPLASTIC FLAME RETARDANT.
- 10. EPOXY ADDED TO AREA WHERE CONTACT POSTS EMERGE FROM THE STABILIZER TO INSURE POST TRUE POSITION.

| | | | | | | | | | |
|----------------|---------------------------|-------------------|-------|----|-------|-------|-------|----------------|------------|
| M55302/27-209 | 71 | 140 ⁷⁰ | 6.900 | 69 | 7.165 | 7.565 | 7.855 | 140 | 1-530777-3 |
| M55302/27-208 | 68 | 134 ⁶⁷ | 6.600 | 66 | 6.865 | 7.265 | 7.555 | 134 | 1- -2 |
| M55302/27-207 | 66 | 130 ⁶⁵ | 6.400 | 64 | 6.665 | 7.065 | 7.355 | 130 | 1- -1 |
| M55302/27-206 | 61 | 120 ⁶⁰ | 5.900 | 59 | 6.165 | 6.565 | 6.855 | 120 | 1- -0 |
| M 55302/27-135 | 56 | 110 ⁵⁵ | 5.400 | 54 | 5.665 | 6.065 | 6.355 | 110 | 530777-9 |
| M 55302/27-134 | 51 | 100 ⁵⁰ | 4.900 | 49 | 5.165 | 5.565 | 5.855 | 100 | -8 |
| M 55302/27-133 | 46 | 90 ⁴⁵ | 4.400 | 44 | 4.665 | 5.065 | 5.355 | 90 | -7 |
| M 55302/27-132 | 41 | 80 ⁴⁰ | 3.900 | 39 | 4.165 | 4.565 | 4.855 | 80 | -6 |
| M 55302/27-131 | 36 | 70 ³⁵ | 3.400 | 34 | 3.665 | 4.065 | 4.355 | 70 | -5 |
| M 55302/27-130 | 31 | 60 ³⁰ | 2.900 | 29 | 3.165 | 3.565 | 3.855 | 60 | -4 |
| M 55302/27-129 | 26 | 50 ²⁵ | 2.400 | 24 | 2.665 | 3.065 | 3.355 | 50 | -3 |
| M 55302/27-128 | 21 | 40 ²⁰ | 1.900 | 19 | 2.165 | 2.565 | 2.855 | 40 | -2 |
| M 55302/27-127 | 16 | 30 ¹⁵ | 1.400 | 14 | 1.665 | 2.065 | 2.355 | 30 | 530777-1 |
| M 55302 | CONTACT IDENTIFICATION NO | | E | D | C | B | A | NO OF CONTACTS | PART NO |

| | | | | |
|--|---------------------------|-----------------|---|-------------------|
| UNLESS OTHERWISE SPECIFIED DIMENSIONS ARE IN INCHES. TOLERANCES ON: DECIMALS ±.005 ANGLES ± | CONTRACT NO | |  AMP INCORPORATED Harrisburg, Pa. | |
| | DR Robert Weber 11-15-76 | | | |
| MATERIAL | CHK R. Williams 11-23-76 | | NAME BOX CONNECTOR RECEPTACLE | |
| | APPD R. Williams 11-23-76 | | ASSY 100GRID EXTERNAL | |
| FINISH | APPD D.C. Myers 11-29-76 | | KEYING | |
| | DSGN APPD | | SIZE C | CODE 00779 |
| OTHER APPD | | IDENT NO 530777 | | DRAWING NO 530777 |
| | | SCALE 4:1 | REV H | |
| | | SHEET 2 OF 2 | | |