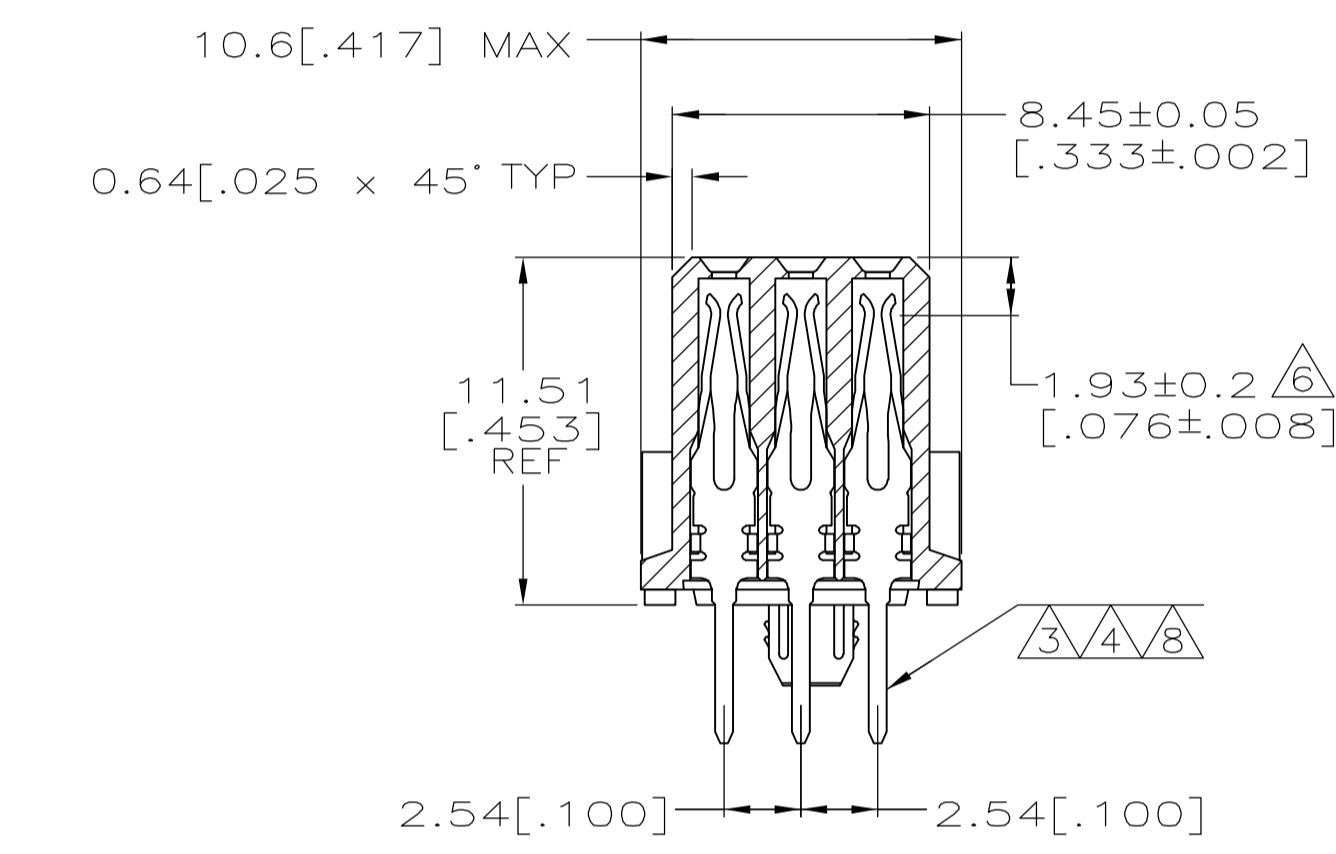
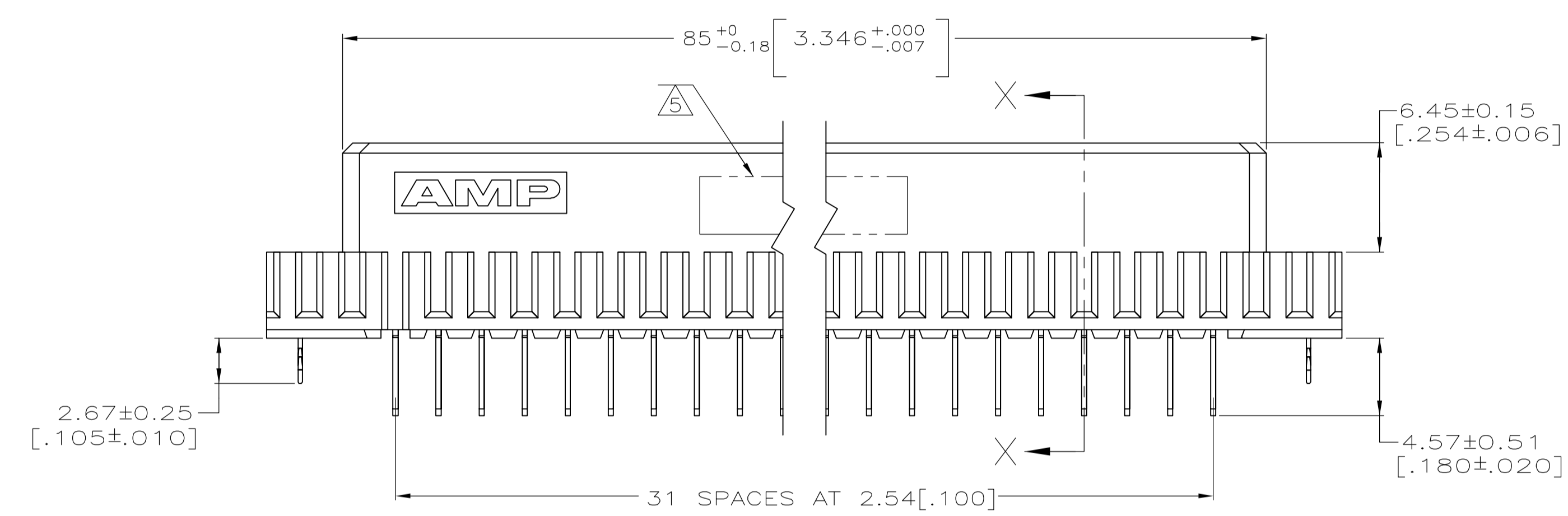
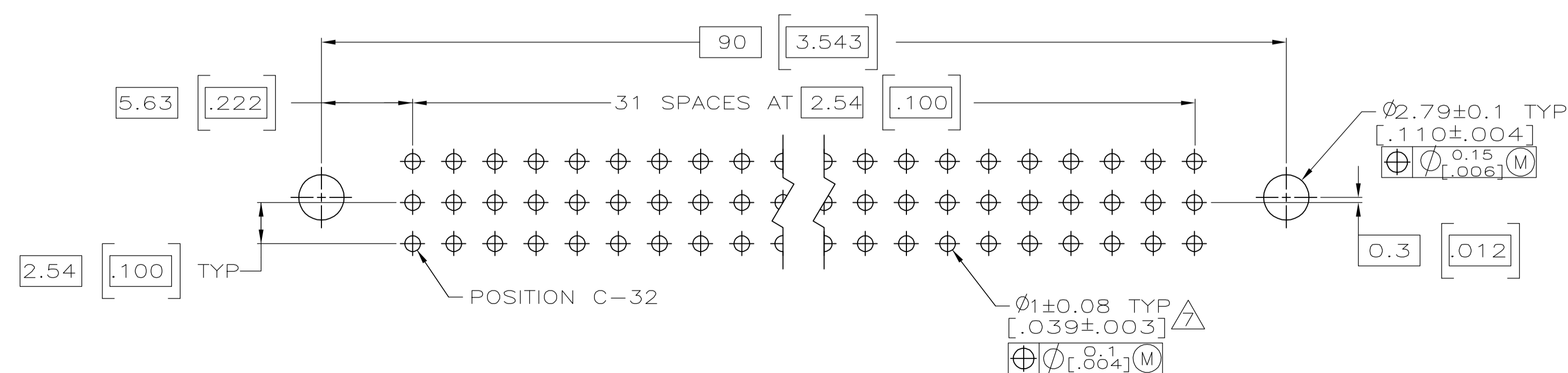


- 1 HOUSING MATERIAL: GLASS-FILLED POLYESTER. COLOR: GRAY.
- 2 CONTACT MATERIAL: PHOSPHOR BRONZE.
- 3 CONTACT FINISH: DIN 41612 CLASS 2 IN CONTACT AREA. TIN-LEAD ON POSTS.
- 4 CONTACT FINISH: DIN 41612 CLASS 3 IN CONTACT AREA. TIN-LEAD ON POSTS.
- 5 PART NUMBER, DATE CODE IDENTIFICATION, CSA LOGO IN THIS APPROXIMATE AREA.
- 6 POINT OF MEASUREMENT FOR GOLD.
- 7 RECOMMENDED HOLE SIZE FOR MANUAL APPLICATION OF CONNECTOR ONTO PC BOARD.
- 8 CONTACT FINISH: 0.00076[.000030] GOLD IN CONTACT AREA. 0.00127[.000050] NICKEL UNDERPLATE ALL OVER. TIN-LEAD ON POSTS.



SECTION X-X



PC BOARD LAYOUT

OBSOLETE	4	1-32	C	32	536412-9
		1-32	B	32	
	3	1-32	A	32	536412-5
		1-32	C	32	
8	1-32	C	32	536412-4	
	1-32	B	32		
NOTES		POSITIONS LOADED	ROWS	NO. OF LOADED POSITION	ASSY PART NUMBER

THIS DRAWING IS A CONTROLLED DOCUMENT.		DWG L. BRINER	8/11/92	Tyco Electronics Corporation Harrisburg, PA 17105-3608	
DIMENSIONS: mm [INCHES]		CHK R. PATTERSON	8/16/92	NAME R. PATTERSON	
TOLERANCES UNLESS OTHERWISE SPECIFIED:		PRODUCT SPEC		RECEPTACLE ASSEMBLY, EUROCARD, TYPE C WITH BOARD LOCKS, 96 POSITION	
0 PLC	± -	APPLICATION SPEC		SIZE	CAGE CODE
1 PLC	± -	—		A1	00779
2 PLC	± -	—		SCALE	4:1
3 PLC	± 0.13[.005]	—		SHEET	1 of 1
4 PLC	± -	—		REV	G
ANGLES	± -	—		CUSTOMER DRAWING	
MATERIAL	FINISH	WEIGHT		—	