

ASTRO All-In-One Kiosk

The PowerBx ASTRO All-In-One Kiosk is a fresh take on office display systems, designed to meet the versatile needs of enterprise. The ASTRO All-In-One Kiosk directly integrates with best in class room booking and lobby management services and can be provisioned by our team to meet your specific requirements.



LED Status Indicator



Cloud-Based Management



Touchscreen



Quick & Easy Installation



Single-Wire High-Speed



Enterprise Grade Security

ASTRO installs quickly and easily in new or retrofit environments, with a simple web-based configuration and cloud-based management. No control system or programming is required. Just connect ASTRO directly to your Cat 6 cable and the device is instantly powered, connected to the internet, and ready for use.



Product Outlook



Primary Features

- Classic design aesthetic for a stylish and versatile solution
- Purpose-built for enterprise room scheduling applications
- Delivers a superior and cost-effective alternative to using consumer tablet devices
- Can be purchased through PowerBx's Platform as a Service (PaaS) program
- Directly integrates with various room scheduling software services
- 10.1" HD IPS display creates the best viewing angles
- Single-wire high-speed PoE or PoE+ RJ45 network connection
- Enterprise grade security
- Option for LED status indicator
- CE and ROHS certified

Display

Display Screen	10.1" HD IPS panel
Display Ratio	16:10
Color	16.7M colors
Display area	217.4(H)x136.4mm(V)
Resolution	1280*800
Brightness	280cd/m2
Contrast	300:1
View Angle	178° left and right, up and down
Life time	Over 50000hrs

ASTRO Performance

CPU	RK3288, Quad core,Cortex A17
RAM	2G
Flash	16G
Main Board	Industrial board
Network Card	10/100M adaptive card
WIFI	Support WIFI 802.11
OS	Android 8.1

Network

WIFI	802.11b/g/n
Bluetooth	Bluetooth 4.0
Ethernet	100M/1000M Internet Access

Interface

SD card	SD
USB	USB host
Micro USB	Micro USB OTG
USB	USB for serial port and extended functions
RJ45	Ethernet port(with POE function)
POE	IEEE802.3at
DC	12Vdc Input
Mic	3.5mm stereo mic output

Media Player

Video Format	MPEG-1,MPEG-2,MPEG-4,H.263,H.264,VC1,RV etc.,supports 4K video max.
Audio Format	MP3/WMA/AAC etc.
Image Format	jpeg

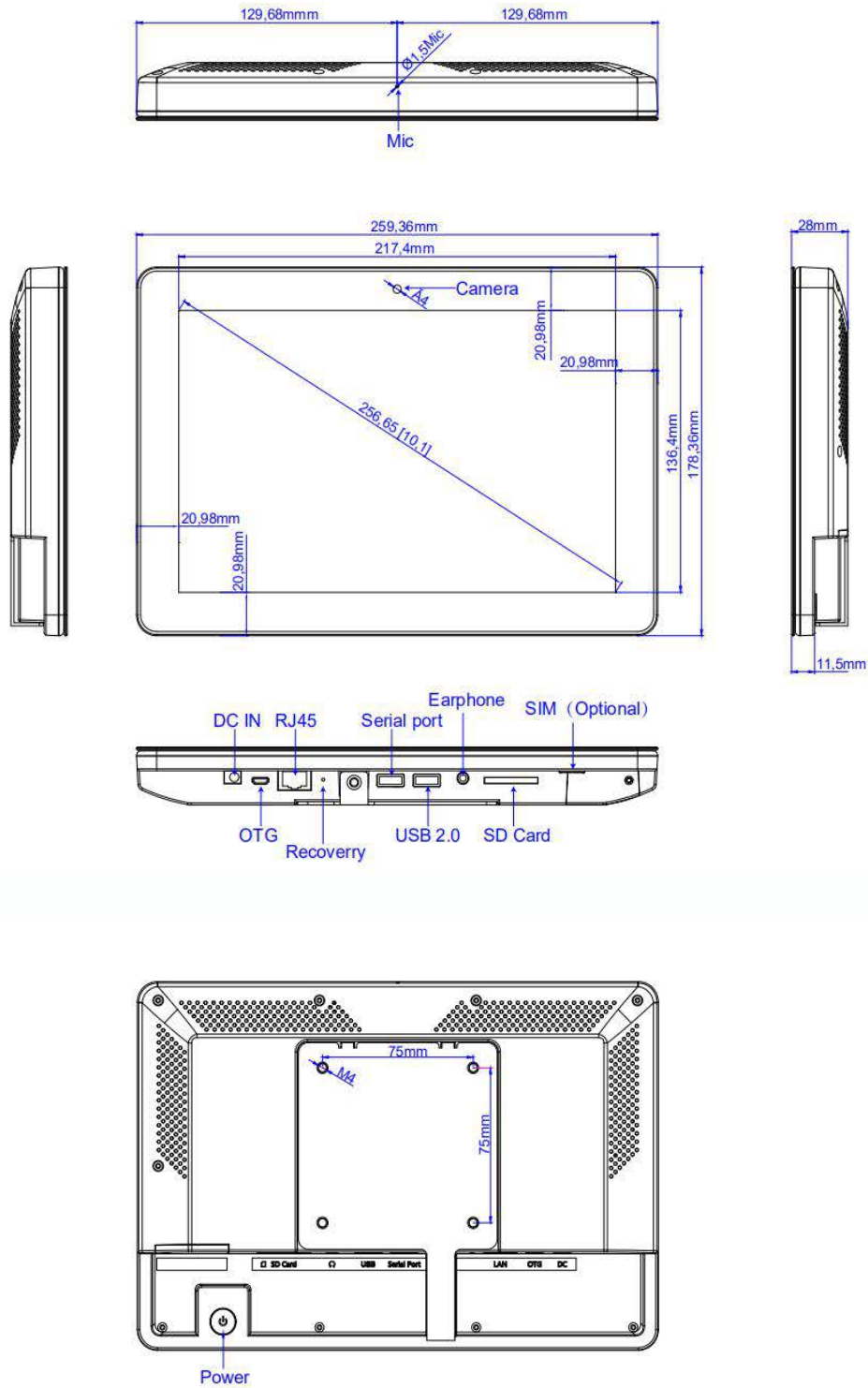
Other

VESA	204.5mm
Speaker	2*1.5W
Camera	2mp front camera, binocular camera(optional)
Mic	Mic
LED Light Bar	LED light bar,supports RBG and color mixture
OSD Language	English, Chinese, etc.

Accessories

User Manual	Standard
Power Adapter	12V/1.5A power adapter
Mounting Brackets	Wall/Glass/Door

Dimensions

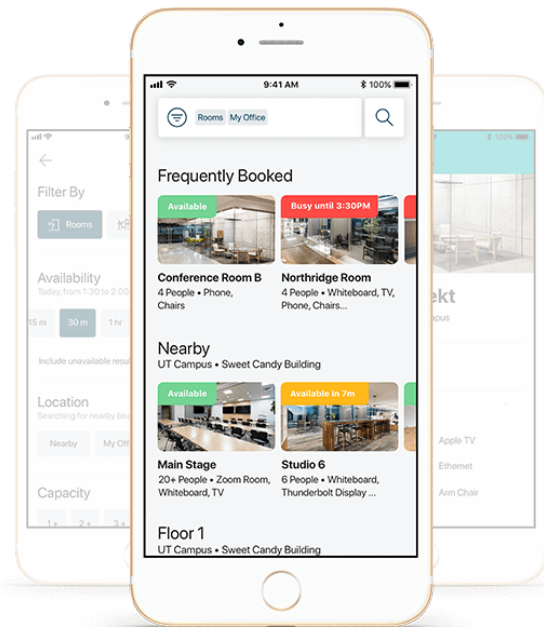


Room Scheduling Software

The ASTRO All-In-One Kiosk can be custom provisioned with leading enterprise office management software. We'll help you create intuitive, touchless experiences for employees and visitors to feel safe returning work or enjoy the flexibility to work from anywhere.

With state-of-the-art space scheduling software, you can get the most out of each meeting room. Through our space scheduling software partners, you can get space utilization data that helps you plan ahead. Find and book spaces, manage check-in, or cancel meetings, even if you're not in the office.

- Integrates with popular calendars: GoogleApps, Office365, and Outlook
- Employees can book conference rooms or huddle areas in advance or at a moment's notice.
- Makes data-driven decisions with Actionable Workplace Analytics
- Makes it easy for employees to see each room's capacity and status so they can avoid walking into a crowded conference room.
- Tracks and removes unattended meetings from the calendar and see how space is being used - end frustrations from booked spaces that sit empty.
- Create a simple and safe visitor experience
- Pre-register guests or require employees to pre-register to manage contact tracing
- Automatically notify hosts when a visitor arrives via email or Slack
- Present guests with visitor contracts (like NDAs) to be signed and save important documentation to Box or Dropbox
- Simplified 'Return Visitor Experience'; remembers everyone who checks in so returning visitors don't have to fill in all their information every time they visit



Digital Signage

The ASTRO All-In-One Kiosk is compatible with the HDDS digital signage display network. Requiring no hosting infrastructure; users simply login from any internet-accessible browser to control, update, and monitor their network of displays. Everything is done online and is as easy as pressing a button.

- Integrate live data such as news headlines, sports scores, stock quotes, content feeds, and local weather
- Control and schedule different content across the entire display network from the convenience of your web browser
- Quickly and easily create an unlimited number of user accounts with unique role assignments updated through automated notifications
- Customize your display to maintain brand standards
- Remotely monitor your display network and receive email or text alerts if a display goes down
- Built in media player supports WWMV, AVI, FLV, MP4, and TS; pictures support JPEG, GIF, PNG, MS Word, PowerPoint, PDF

