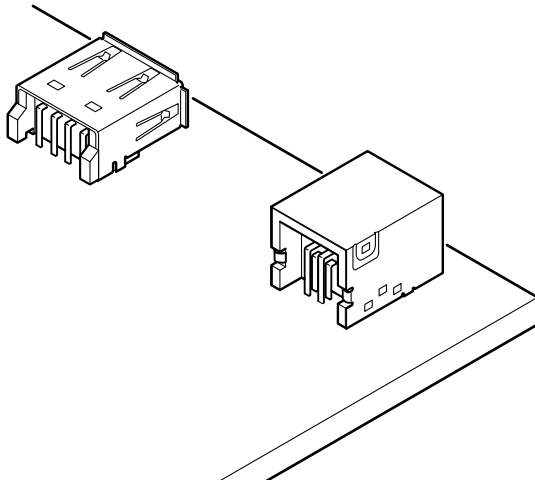


UB CONNECTOR

USB (Universal Serial Bus) compliant connector



- Conforms to USB (Universal Serial Bus) 2.0 standards
- Secure EMI shielding effect
- SMT configuration

Standards

Ⓜ : Recognized E 60389

Ⓢ : Certified LR 20812

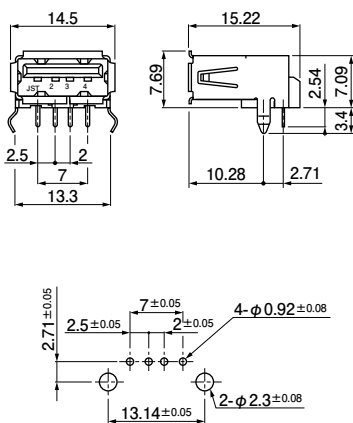
Specifications

- Current rating: 1.0 A/Line AC/DC
 - Voltage rating: 30 V AC/DC
 - Temperature range: -55°C to +85°C
(including temperature rise in applying electrical current)
 - Contact resistance:
 - Initial value/ 30 mΩ max.
 - After environmental tests/ 10 mΩ max.
(variation from initial value)
 - Insulation resistance: 1,000 MΩ min.
 - Withstanding voltage: 750 VAC/minute
- * In using the products, refer to "Handling Precautions for Terminals and Connectors" described on our website (Technical documents of Product information page).
- * RoHS2 compliance
- * Dimensional unit: mm
- * Contact JST for details.

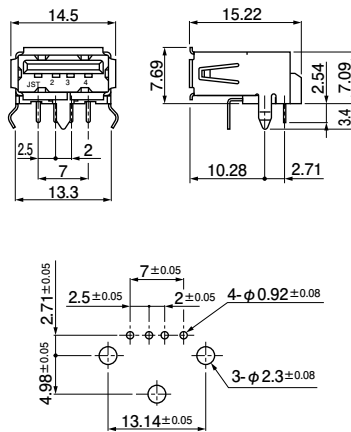
Receptacle

USB 2.0 certified product

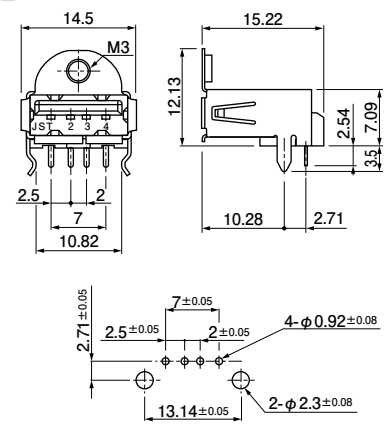
Type A <Through-hole type> Normal



Type A <Through-hole type> With solder tab



Type A <Through-hole type> With upper flange



| Model No. | Material and Finish | |
|---------------|---------------------|---|
| UBA-4R-D14-4D | Contact | Copper alloy, nickel-undercoated, selective gold-plated |
| | Housing | Thermoplastic resin, UL94V-0 |
| | Shell | Copper alloy, nickel-undercoated, tin-plated |

RoHS2 compliance This product displays (LF)(SN) on a label.

| Model No. | Material and Finish | |
|----------------|---------------------|---|
| UBA-4R-D14T-4D | Contact | Copper alloy, nickel-undercoated, selective gold-plated |
| | Housing | Thermoplastic resin, UL94V-0 |
| | Shell | Copper alloy, nickel-undercoated, tin-plated |
| | Solder tab | Copper alloy, copper-undercoated, tin-plated |

RoHS2 compliance This product displays (LF)(SN) on a label.

| Model No. | Material and Finish | |
|-----------------|---------------------|---|
| UBA-4R-D14C2-4D | Contact | Copper alloy, nickel-undercoated, selective gold-plated |
| | Housing | Thermoplastic resin, UL94V-0 |
| | Shell | Copper alloy, nickel-undercoated, tin-plated |

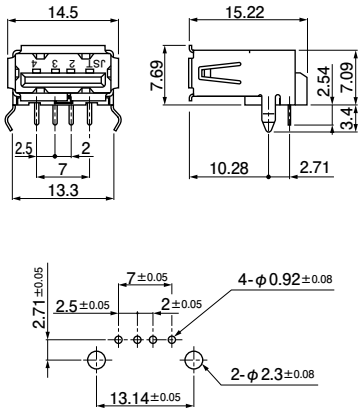
RoHS2 compliance This product displays (LF)(SN) on a label.

Note: Please contact JST for details as the dimensions shown in the above figure are reference values.

Receptacle

USB 2.0 certified product

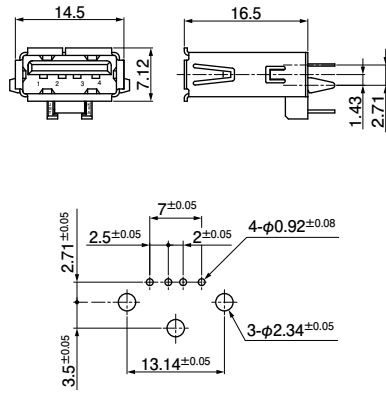
Type A <Through-hole type> Reverse



| Model No. | Material and Finish | |
|----------------|---------------------|---|
| UBA-R4R-D14-4D | Contact | Copper alloy, nickel-undercoated, selective gold-plated |
| | Housing | Thermoplastic resin, UL94V-0 |
| | Shell | Copper alloy, nickel-undercoated, tin-plated |

RoHS2 compliance This product displays (LF)(SN) on a label.

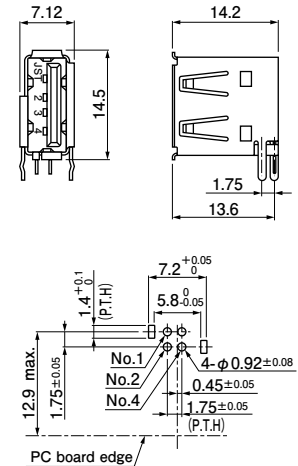
Type A <Through-hole type> Straight, normal



| Model No. | Material and Finish | |
|-----------------|---------------------|---|
| UBAS-4R-D14D-4D | Contact | Copper alloy, nickel-undercoated, selective gold-plated |
| | Housing | Thermoplastic resin, UL94V-0 |
| | Shell | Copper alloy, nickel-undercoated, tin-plated |

RoHS2 compliance This product displays (LF)(SN) on a label.

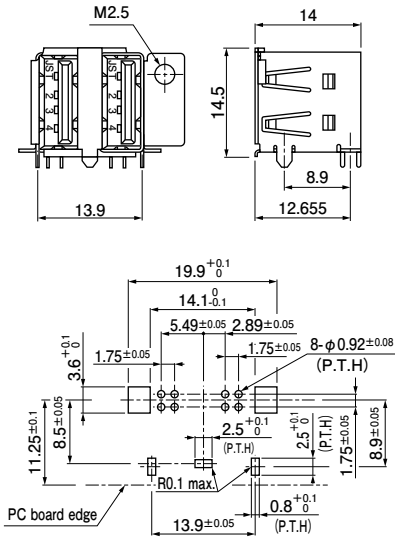
Type A <Through-hole type> Vertical, normal



| Model No. | Material and Finish | |
|----------------|---------------------|---|
| UBAL-4R-D14-4S | Contact | Copper alloy, nickel-undercoated, selective gold-plated |
| | Housing | Thermoplastic resin, UL94V-0 |
| | Shell | Copper alloy, nickel-undercoated, tin-plated |

RoHS2 compliance This product displays (LF)(SN) on a label.

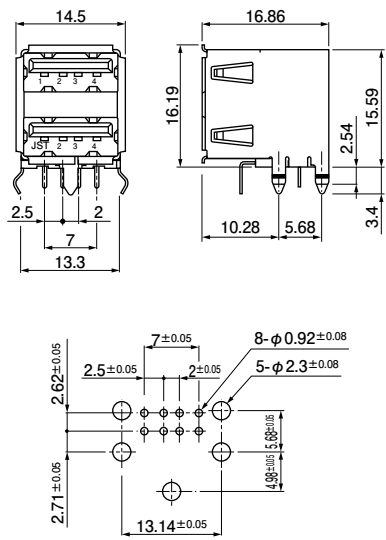
Type A <Through-hole type> Vertical, dual-row



| Model No. | Material and Finish | |
|------------------|---------------------|---|
| UBAL-4RS-D14K-4S | Contact | Copper alloy, nickel-undercoated, selective gold-plated |
| | Housing | Thermoplastic resin, UL94V-0 |
| | Shell A | Copper alloy, nickel-undercoated, tin-plated |
| | Shell B | Copper alloy, nickel-undercoated, tin-plated |

RoHS2 compliance This product displays (LF)(SN) on a label.

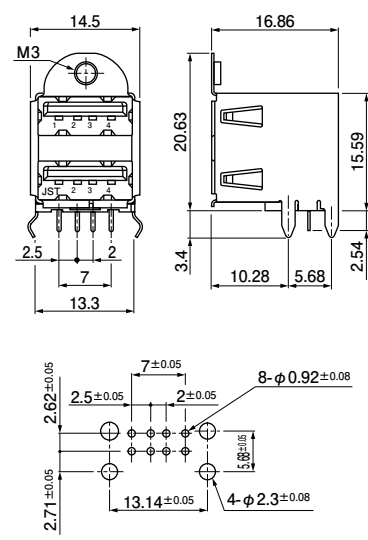
Type A <Through-hole type> Double-stack



| Model No. | Material and Finish | |
|-----------------|--|---|
| UBA-4RS-D14T-4D | Contact | Copper alloy, nickel-undercoated, selective gold-plated |
| | Housing | Thermoplastic resin, UL94V-0 |
| | Locator | Thermoplastic resin, UL94V-0 |
| | Shell A | Copper alloy, nickel-undercoated, tin-plated |
| | Shell B | Copper alloy, nickel-undercoated, tin-plated |
| Solder tab | Copper alloy, copper-undercoated, tin-plated | |

RoHS2 compliance This product displays (LF)(SN) on a label.

Type A <Through-hole type> Double-stack with upper flange



| Model No. | Material and Finish | |
|-----------------|---------------------|---|
| UBA-4RS-D14C-4D | Contact | Copper alloy, nickel-undercoated, selective gold-plated |
| | Housing | Thermoplastic resin, UL94V-0 |
| | Locator | Thermoplastic resin, UL94V-0 |
| | Shell A | Copper alloy, nickel-undercoated, tin-plated |
| | Shell B | Copper alloy, nickel-undercoated, tin-plated |

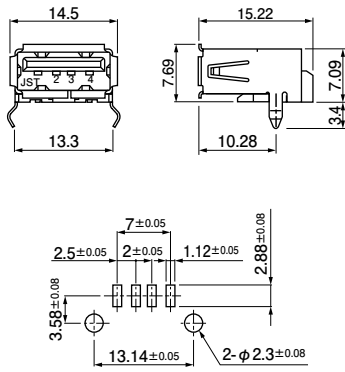
RoHS2 compliance This product displays (LF)(SN) on a label.

Note: Please contact JST for details as the dimensions shown in the above figure are reference values.

Receptacle

USB 2.0 certified product

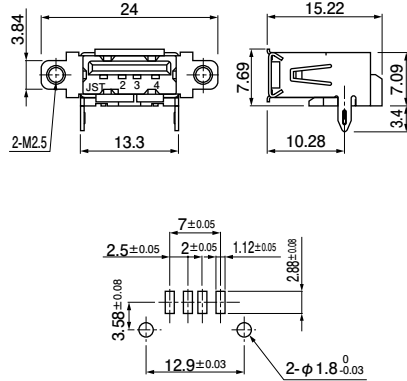
Type A <SMT type> Without flange



| Model No. | Material and Finish | |
|---------------|---------------------|---|
| UBA-4R-S14-4S | Contact | Copper alloy, nickel-undercoated, selective gold-plated |
| | Housing | Thermoplastic resin, UL94V-0 |
| | Shell | Copper alloy, nickel-undercoated, tin-plated |

RoHS2 compliance This product displays (LF)(SN) on a label.

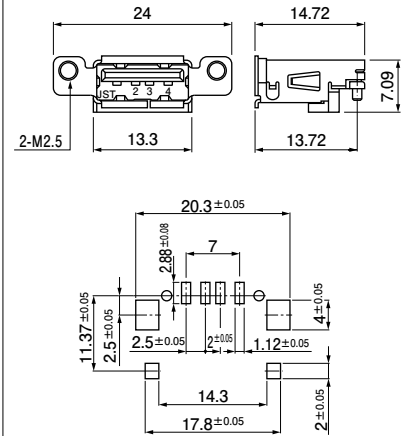
Type A <SMT type> With side flange



| Model No. | Material and Finish | |
|----------------|---------------------|---|
| UBA-4R-S14A-4S | Contact | Copper alloy, nickel-undercoated, selective gold-plated |
| | Housing | Thermoplastic resin, UL94V-0 |
| | Shell | Copper alloy, nickel-undercoated, tin-plated |

RoHS2 compliance This product displays (LF)(SN) on a label.

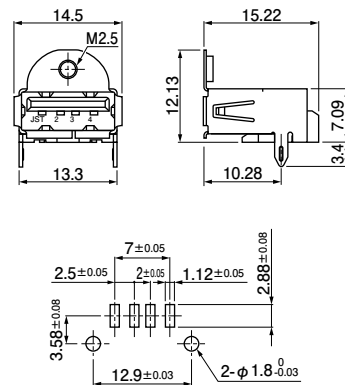
Type A <SMT type, offset 3 mm> With side flange



| Model No. | Material and Finish | |
|----------------|---------------------|---|
| UBA-4R-S14B-4S | Contact | Copper alloy, nickel-undercoated, selective gold-plated |
| | Housing | Thermoplastic resin, UL94V-0 |
| | Shell | Copper alloy, nickel-undercoated, tin-plated |

RoHS2 compliance This product displays (LF)(SN) on a label.

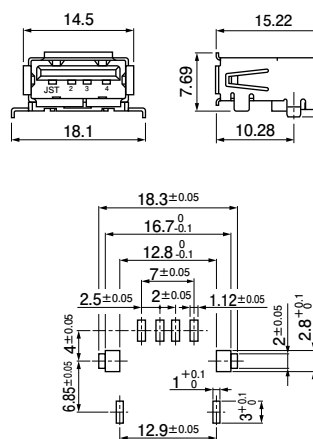
Type A <SMT type> With upper flange



| Model No. | Material and Finish | |
|----------------|---------------------|---|
| UBA-4R-S14C-4S | Contact | Copper alloy, nickel-undercoated, selective gold-plated |
| | Housing | Thermoplastic resin, UL94V-0 |
| | Shell | Copper alloy, nickel-undercoated, tin-plated |

RoHS2 compliance This product displays (LF)(SN) on a label.

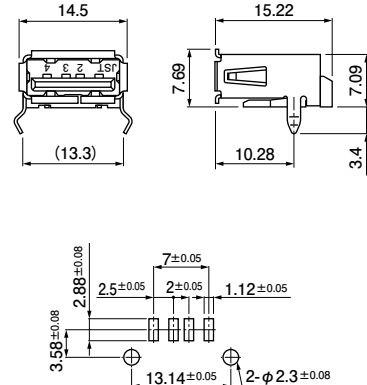
Type A <SMT type> FULL SMT



| Model No. | Material and Finish | |
|-----------------|---------------------|---|
| UBA-4R-S14HD-4S | Contact | Copper alloy, nickel-undercoated, selective gold-plated |
| | Housing | Thermoplastic resin, UL94V-0 |
| | Shell | Copper alloy, nickel-undercoated, tin-plated |

RoHS2 compliance This product displays (LF)(SN) on a label.

Type A <SMT type> Reverse



| Model No. | Material and Finish | |
|----------------|---------------------|---|
| UBA-R4R-S14-4S | Contact | Copper alloy, nickel-undercoated, selective gold-plated |
| | Housing | Thermoplastic resin, UL94V-0 |
| | Shell | Copper alloy, nickel-undercoated, tin-plated |

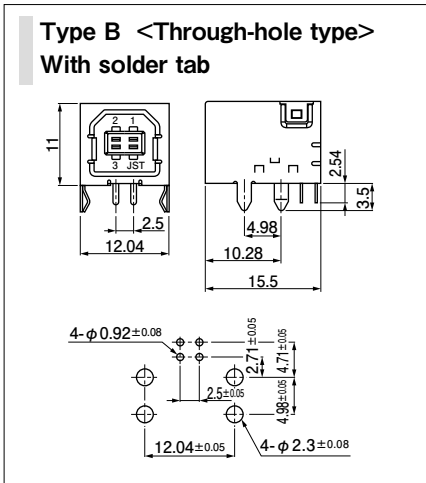
RoHS2 compliance This product displays (LF)(SN) on a label.

Note: Please contact JST for details as the dimensions shown in the above figure are reference values.

Note: Please contact JST for details as the dimensions shown in the above figure are reference values.

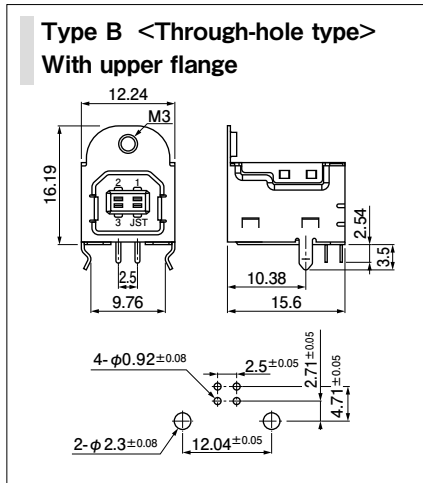
Receptacle

USB 2.0 certified product



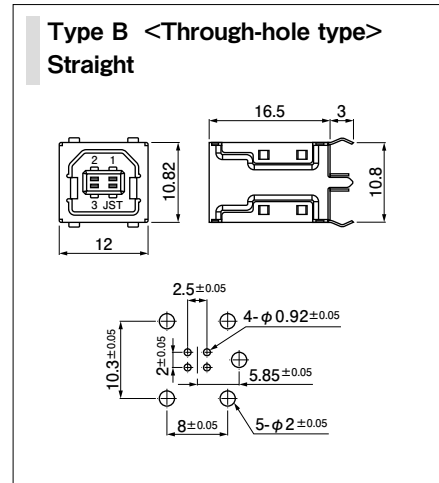
| Model No. | Material and Finish | |
|----------------|---------------------|---|
| UBB-4R-D14T-4D | Contact | Copper alloy, nickel-undercoated, selective gold-plated |
| | Housing | Thermoplastic resin, UL94V-0 |
| | Shell | Copper alloy, nickel-undercoated, tin-plated |

RoHS2 compliance This product displays (LF)(SN) on a label.



| Model No. | Material and Finish | |
|----------------|---------------------|---|
| UBB-4R-D14C-4D | Contact | Copper alloy, nickel-undercoated, selective gold-plated |
| | Housing | Thermoplastic resin, UL94V-0 |
| | Shell | Copper alloy, nickel-undercoated, tin-plated |

RoHS2 compliance This product displays (LF)(SN) on a label.



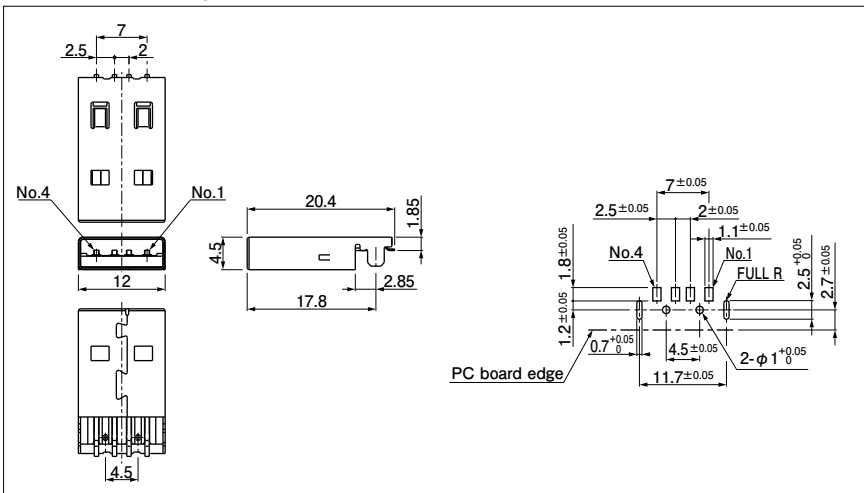
| Model No. | Material and Finish | |
|----------------|---------------------|---|
| UBBS-4R-D14-4D | Contact | Copper alloy, nickel-undercoated, selective gold-plated |
| | Housing | Thermoplastic resin, UL94V-0 |
| | Shell | Copper alloy, nickel-undercoated, tin-plated |

RoHS2 compliance This product displays (LF)(SN) on a label.

Note: Please contact JST for details as the dimensions shown in the above figure are reference values.

Plug type A SMT type

USB 2.0 certified product



| Model No. | Material and Finish | |
|-------------|---------------------|---|
| UBA-4P-S14E | Contact | Copper alloy, nickel-undercoated, selective gold-plated |
| | Housing | Thermoplastic resin, UL94V-0 |
| | Shell | Copper alloy, nickel-undercoated, palladium-plated |

RoHS2 compliance This product displays (LF)(SN) on a label.

Note: 1. Unlisted in UL/CSA.
2. Please contact JST for details as the dimensions shown in the figure on the left are reference values.

| Part name | Model No. | | Q'ty/box | | |
|------------|--------------------------------|-----------------------------|----------------------------|---------|-------|
| | Type A (TID No.) | Type B (TID No.) | Type A | Type B | |
| Plug | SMT type | UBA-4P-S14E (61001068) | — | 5,580 | |
| | Normal | UBA-4R-D14-4D (60000158) | — | 250 | |
| Receptacle | With solder tab | UBA-4R-D14T-4D (60000162) | UBB-4R-D14T-4D (60000457) | 250 270 | |
| | With upper flange | UBA-4R-D14C2-4D (60000163) | UBB-4R-D14C-4D (60000457) | 250 270 | |
| | Reverse | UBA-R4R-D14-4D (61000434) | — | 250 — | |
| | Straight | UBAS-4R-D14D-4D (60000456) | UBBS-4R-D14-4D (60000468) | 250 600 | |
| | Vertical, normal | UBAL-4R-D14-4S (60000455) | — | 350 — | |
| | Vertical, dual-row | UBAL-4RS-D14K-4S (60000455) | — | 105 — | |
| | Double-stack | UBA-4RS-D14T-4D (60000434) | — | 210 — | |
| | Double-stack with upper flange | UBA-4RS-D14C-4D (61000434) | — | 210 — | |
| | SMT type | Without flange | UBA-4R-S14-4S (60000160) | — | 250 — |
| | | With side flange | UBA-4R-S14A-4S (60000171) | — | 192 — |
| | | With side flange Offset | UBA-4R-S14B-4S (60000172) | — | 378 — |
| | | With upper flange | UBA-4R-S14C-4S (60000174) | — | 216 — |
| | | FULL SMT | UBA-4R-S14HD-4S (60000434) | — | 192 — |
| | | Reverse | UBA-R4R-S14-4S (62000434) | — | 250 — |

Note: Thin gold-plated (Au Flash) product that is uncertified product (**10) is also available.