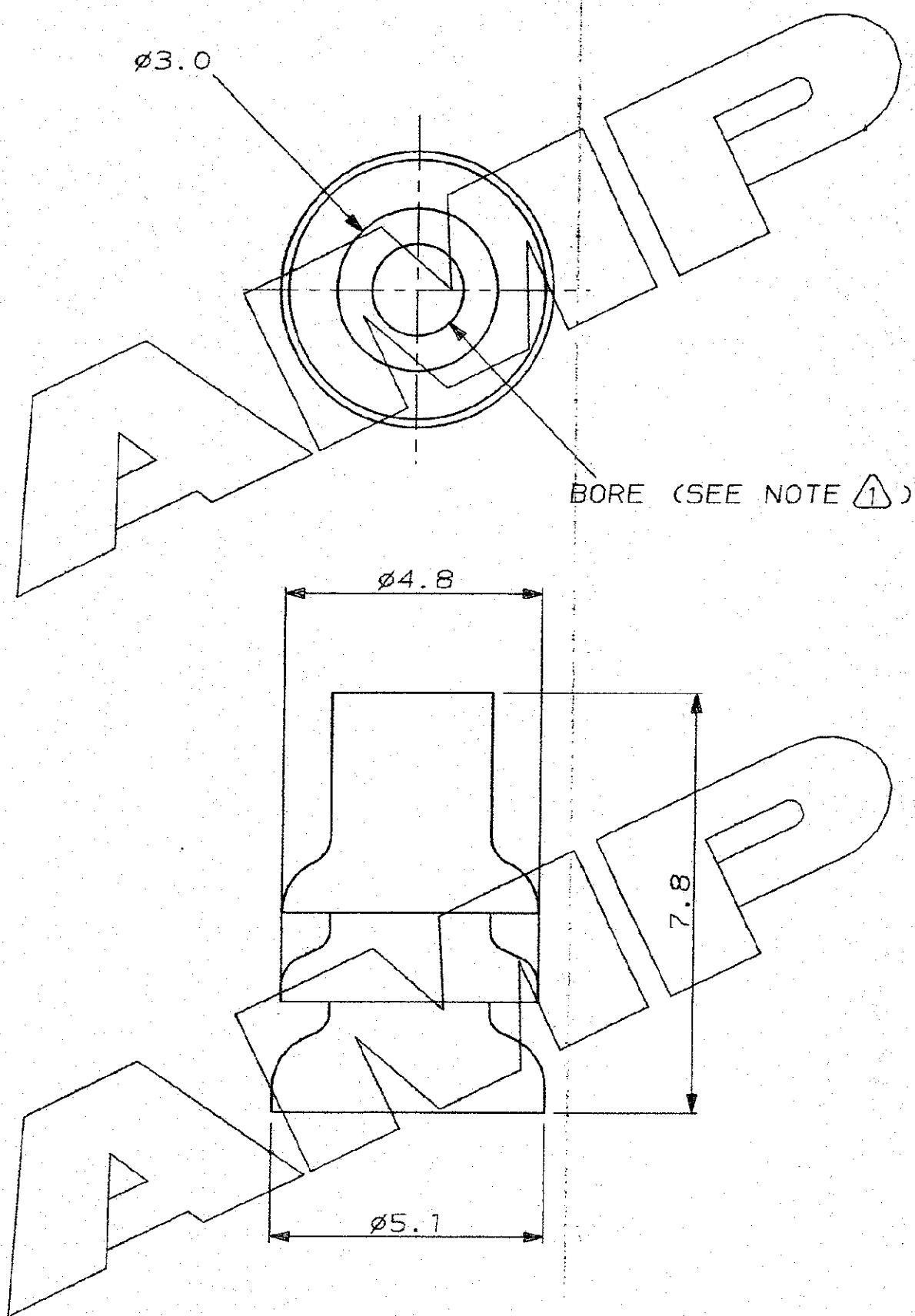


C.A.D. FILE CODE
S. C347875.A

DO NOT SCALE

DIMENSIONS IN MM.



BORE (SEE NOTE 1)

NOTES:

1 THIS SEAL IS SUITABLE FOR 2.0 mm² WIRE AND INSULATION DIAMETER OF 2.7 mm MAX.
N.B. FOR SPECIAL 2.0 mm² WIRE, WITH INSULATION DIA. OF 2.4 MAX., USE SEAL PN. 347874-1.

YELLOW		SELF-LUBRICATING SILICONE RUBBER		347875-1	
FINISH		MATERIAL		PART NUMBER	
CUSTOMER DWG FOR REFERENCE ONLY			© COPYRIGHT 1993 BY AMP OF GREAT BRITAIN LTD. ALL INTERNATIONAL RIGHTS RESERVED. ALL PRODUCTS MAY BE COVERED BY BRITISH AND FOREIGN PATENTS AND/OR PATENTS PENDING.		RELEASED FOR PUBLICATION 25 AUG 1993
-	-	-	-	TOLERANCES UNLESS OTHERWISE STATED :	DR. R.J.S. 25.8.93
-	-	-	-	DEC ± 0.5	CH. R.R. APP. J.P.
-	-	-	-	ANGLES ± 1°	AMP of Great Britain Ltd. TERMINAL HOUSE STANMORE MIDDX.
A	RELEASED	E800-0091-01	14.03.91	NAME .070 SERIES CABLE SEAL ECONOSEAL 3 LOW CURRENT	
2	REL. TO CUST.	EB00-0259-94	11.5.94	SCALE	LOC
1	PRELIM. ISSUE	EB00-____-93	25.8.93	10/1	E
REV	MODIFICATION	CHANGE No.	DATE	SIZE	DWG.No.
				A3	C347875
				REV	SHEET
				A	1/1