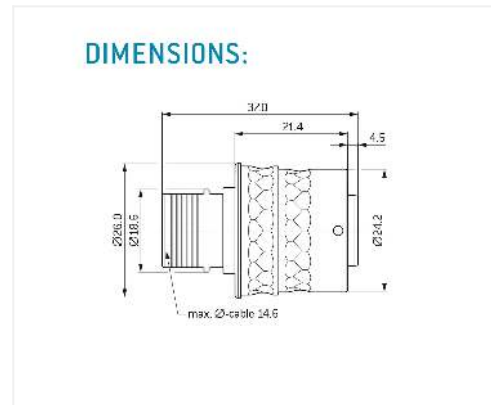
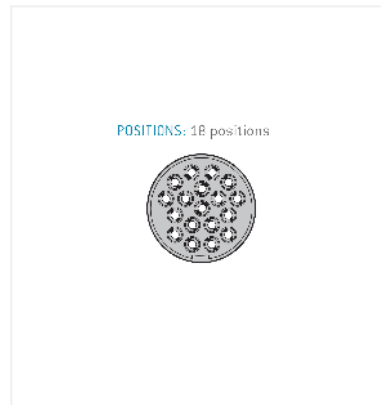
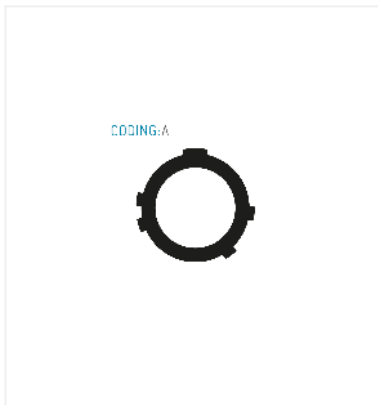


series_t, Push-Pull plug, mil_standard_38999

General information

Part number	S1TAATO-HM18PN-0000
Termination	crimp
Size	12 (STD 38999)
Locking principle	push
Coding	a_key_amc
Cable Diameter	cable_amc_th
Cable outlet	overmolding



Contact insert description

Number of contacts	18
Contact type	pins
Contact diameter	4_09_14_076mm
Insulator material	peek
Wire cross section	20-24_22-26_awg
Termination	crimp

Technical information

Nominal current single contact	075_14_a	iec_60512_5_2
Test voltage	1_075_kv_AC	eia_364_20f

safety_text

Mechanical and environmental data

Degree of protection*	ip6k9k
Operating temperature	65_175_c
Mating cycles	500

mated

Material and surface treatments

Housing	alu_tin_nickel
Contact	cu_alloy_gold

data_text

safety_text 2

data_text

ul_text

illustrative_text