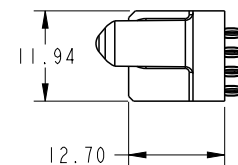
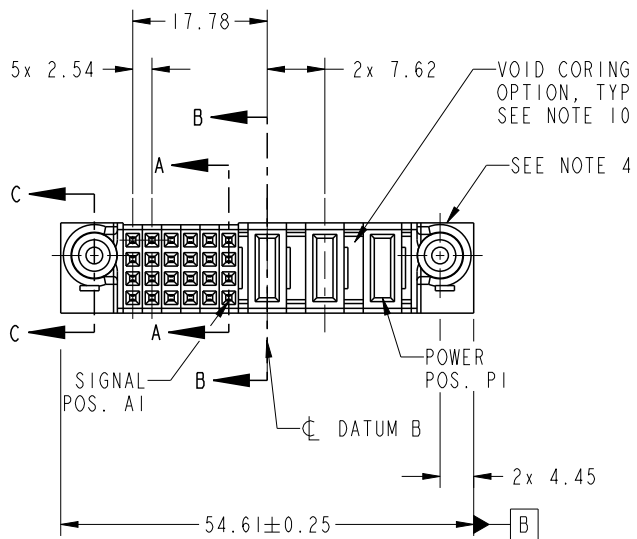


PRODUCT NO. 51940-470-- NOTE: 3	ROWS D C B A	SIGNAL					POWER								
		E2	6	5	4	3	2	1	P3	P2	P1	E1			
			F	F	F	F	F	F	F	F	F	PC	PC	PC	
			F	F	F	F	F	F	F	F	F				
			F	F	F	F	F	F	F	F	F				
			F	F	F	F	F	F	F	F	F				

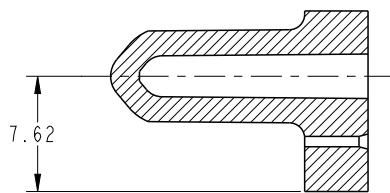
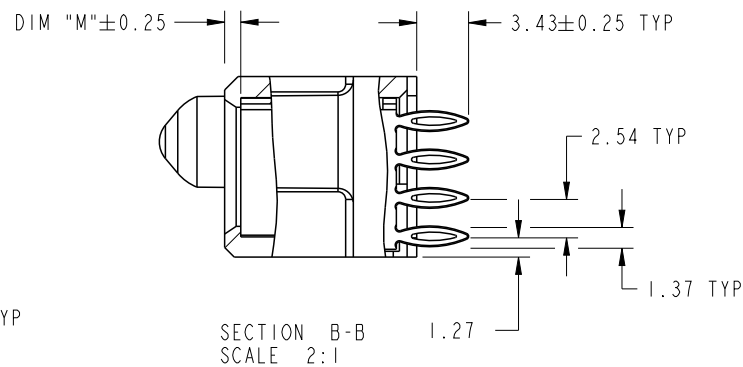
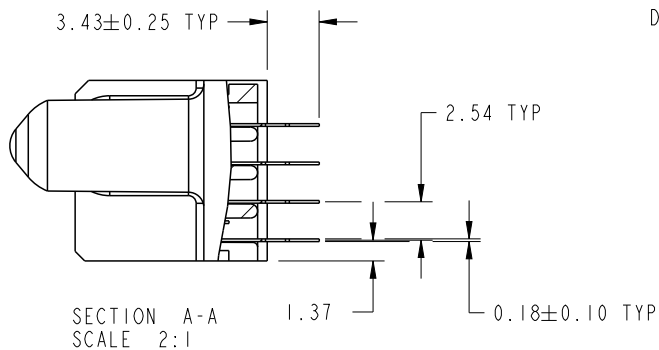


CODE	DIM "M" MATING LENGTH	CONTACT TYPE
PC	[1.07]	POWER
F	[N/A]	SIGNAL

spec ref	*	dr	Sky Chen	2012/12/28	projection	MM	size	A4	scale	1:1		
tolerance std	TOLERANCES UNLESS OTHERWISE SPECIFIED	eng	Sky Chen	2013/03/26			ecn no	-				
SEE NOTE		chr	-	-	product family			PwrBlade	rel level	Released		
surface	✓	appr	Pei-Ming Zheng	2013/03/26	www.fci.com	title	3ACP + 24S		dwg no	51940-470	rev	A
linear		0.X	±0.5	VERTICAL PF RECEPT			cat. no.	*				Product - Customer Drw
angular	0°	±2°										

PRODUCT NUMBER

51940-470__
NOTE: 3



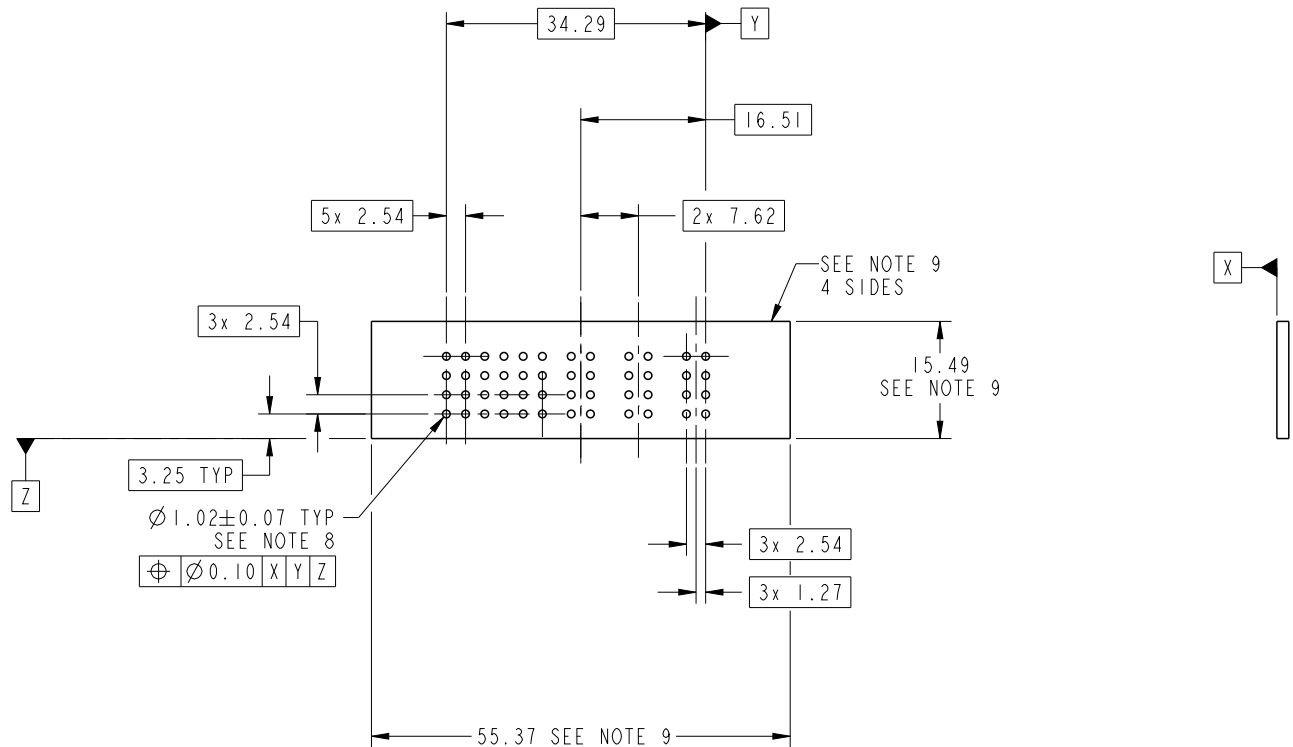
dr	Sky Chen	2012/12/28	projection 	MM 	size	A4	scale	1:1
eng	Sky Chen	2013/03/26			ecn no	-		
chr	-	-			rel level	Released		
appr	Pei-Ming Zheng	2013/03/26	product family	PwrBlade	rev	A		
		title 3ACP + 24S VERTICAL PF RECEPT	dwg no 51940-470	cat. no. *	Product - Customer Drw	sheet 2 of 4		



Copyright FCI.

PRODUCT NUMBER

51940-470__
NOTE: 3



RECOMMENDED PCB LAYOUT

dr	Sky Chen	2012/12/28	projection 	MM 	size	A4	scale	1:1	
eng	Sky Chen	2013/03/26			ecn no	-			
chr	-	-			rel level	Released			
appr	Pei-Ming Zheng	2013/03/26	product family	PwrBlade					
		title	3ACP + 24S VERTICAL PF RECEPT		dwg no	51940-470		rev	A
www.fci.com		cat. no.	*	Product - Customer Drw			sheet 3 of 4		

PRODUCT NUMBER

51940-470__
NOTE: 3

NOTES:

1. DIMENSIONS AND TOLERANCES ARE IN ACCORDANCE WITH ASME Y14.5M, 1994 UNLESS OTHERWISE SPECIFIED.

CONNECTOR NOTES:

② HOUSING MATERIAL: UL 94 V-0 GLASS FILLED HIGH-TEMP THERMOPLASTIC

POWER CONTACT MATERIAL: COPPER ALLOY
SIGNAL PIN MATERIAL: COPPER ALLOY

3. SEE ITEM 7 & 8 IN PRINT 10064183 FOR PLATING SPEC OF 51940-470 AND 51940-470LF RESPECTIVELY.

④ MANUFACTURER'S NAME, DATE CODE AND OPTIONAL P/N TO APPEAR ON THIS SURFACE. THE MARK CAN BE OMITTED IF THERE IS NOT ENOUGH SPACE ON THIS SURFACE.

5. PRODUCT SPECIFICATION GS-12-149.
APPLICATION SPECIFICATION BUS-20-067.

6. PACKAGED IN TRAYS.

PCB NOTES:

7. ALL HOLE DIAMETERS ARE FINISHED HOLE SIZE.

8. $\varnothing 1.151 \pm 0.025$ DRILLED HOLES PLATED WITH 0.008 MIN SnPb OR Sn OVER 0.03 TO 0.08 Cu PLATING TO ACHIEVE $\varnothing 1.02 \pm 0.07$ HOLE.

9. CONNECTOR KEEP-OUT ZONE.

10. THE VOID CORING IN BETWEEN POWER MODULES, SIGNAL MODULES AND END MODULES ARE OPTIONAL AND THE SHAPE MAY BE DIFFERENT FOR OPTIMIZE THE MOLDING PROCESS. THE VOID CORING WILL NOT EFFECT TO PRODUCT FUNCTION.

dr	Sky Chen	2012/12/28	projection 	MM 	size	A4	scale	1:1	
eng	Sky Chen	2013/03/26			ecn no	-			
chr	-	-							
appr	Pei-Ming Zheng	2013/03/26	product family	PwrBlade	rel level	Released			
	title	3ACP + 24S VERTICAL PF RECEPT			dwg no	51940-470		rev	A
www.fci.com	cat. no.	*	Product - Customer Drw			sheet 4 of 4			