


SINGLE SHELF WALL MOUNT



www.qualgear.com

**8kg
(17.6lbs)
RATED**

CAUTION!
Do not exceed the maximum rated weight specified. Otherwise, serious injury or property damage may occur.



Maintenance

Please check that the wall mount is secure and safe to use at regular intervals. If you have any questions regarding any of the instructions or warnings, please contact your local distributor (OR) contact QualGear technical support via email at support@qualgear.com.

NOTE Please read the entire installation manual before you start installation and assembly.

WARNING

- Do not begin to install your QualGear product until you have read and understood all the instructions and warnings contained in this installation manual. If you have any questions regarding the instructions, for US customers please contact QualGear customer support via email at support@qualgear.com. For all international customers, please contact your local distributor.
- This product should only be installed by someone of good mechanical aptitude, has experience with basic building construction, and fully understands these instructions.
- This product was designed to be installed and utilized only as specified in this manual. Improper installation of this product may cause damage or serious injury. QualGear is not liable for the improper use or installation of its products.
- Make sure that the supporting surface will safely support the combined load of the equipment and all attached hardware and components.
- Always use an assistant or mechanical lifting equipment to safely lift and position the equipment.
- Tighten screws firmly, but do not over tighten. Over tightening can damage the items, greatly reducing their holding power.
- ALL QUALGEAR products are intended for indoor use only and any outdoor use voids the limited warranty.
- ALL QUALGEAR products are designed and tested for residential use only and any commercial use voids the limited warranty. For warranty information, please visit <http://www.qualgear.com/warranty.php>.
- If mounting to wooden studs, make sure that mounting screws are anchored into the center of the studs. Use of an edge-to-edge stud finder is highly recommended.
- Never exceed the maximum rated weight specified in this manual.
- All bolts and screws must be used at the designated points in the installation instructions to prevent property damage and/or personal injury.
- DO NOT install near air conditioner vents or where there is excessive dust or smoke.
- When drilling holes in the wall, it is very important to take care of electrical cables, water, or gas pipes in the wall.

● This product was designed to be installed on the following wall construction only:

WALL CONSTRUCTION

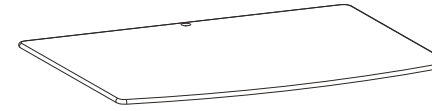
Wooden Stud
Wooden Beam
Solid Concrete
Other

HARDWARE REQUIRED

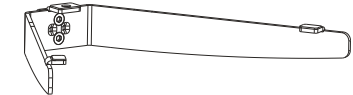
Included
Included
Included
Contact Qualified Professional

Parts Checklist

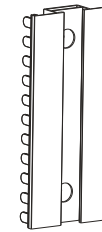
IMPORTANT: Before starting installation, please check that all parts shown in this checklist are included. If any parts are missing or damaged, contact your local distributor or support@qualgear.com for replacement parts and do not start assembly and installation until you receive all the parts.



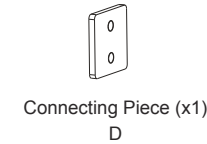
Glass Shelf (x1)
A



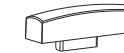
Glass Holder (x1)
B



Wall Plate (x1)
C



Connecting Piece (x1)
D



Decorative Cover (x2)
E



Marking Template (x1)
F

Hardware Package



ST5.5x50mm
Lag Bolt (x2)
P-A



8x36mm
Concrete Anchor (x2)
P-B



M5x10 (x3)
P-C



Plastic Bush (x1)
P-D

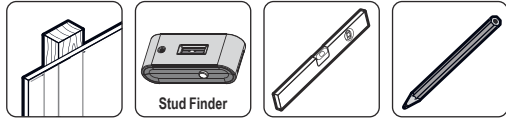


Plastic Cap (x2)
P-E



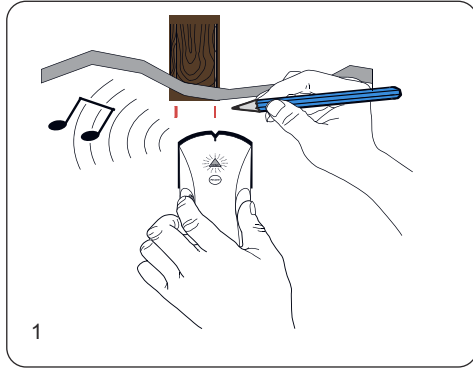
3mm Allen Key (x1)
P-F

1a Mounting to a Wooden Stud Wall

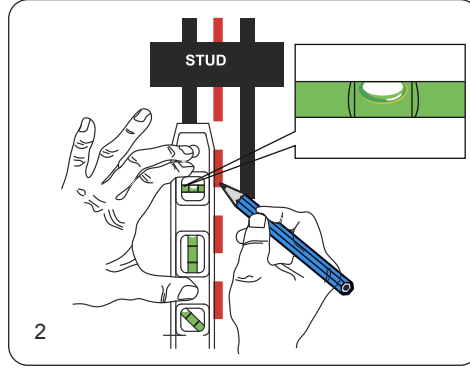


NOTE

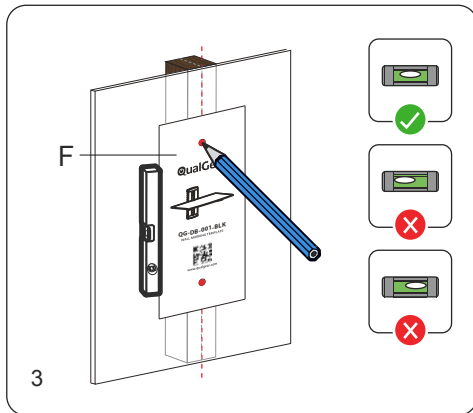
For concrete wall mounting, follow Step 1b.



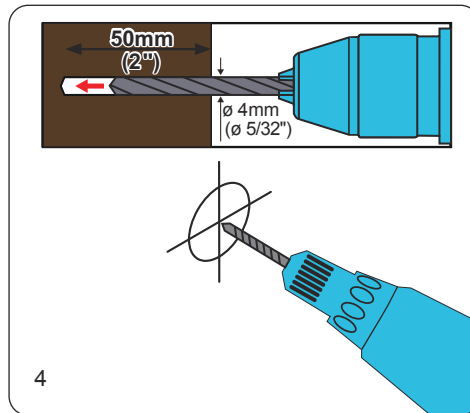
1 Using an edge-to-edge stud finder, find the edges of the stud.



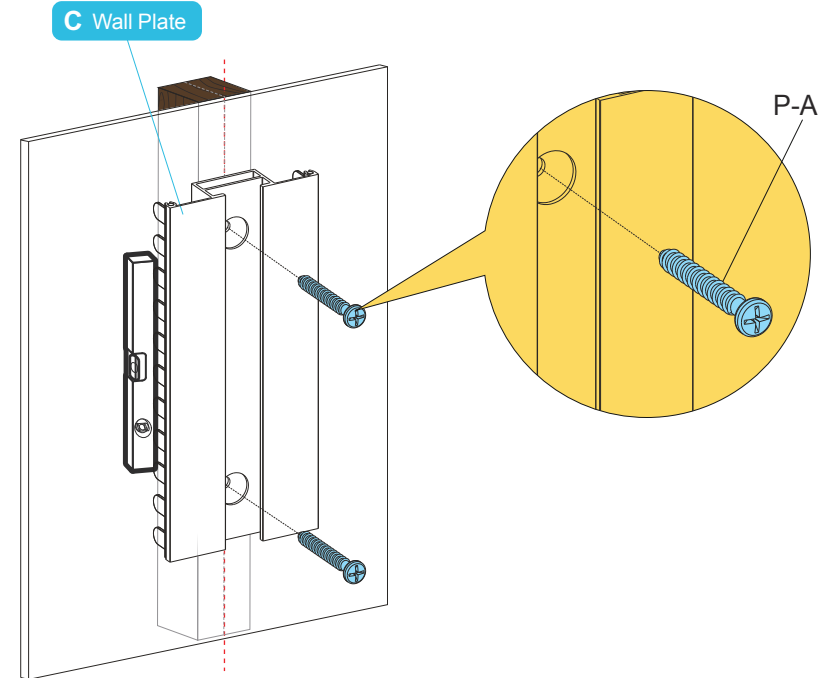
2 Using a level, mark the centerline of the stud.



3 Using the marking template (F) provided, mark two holes for drilling on the centerline of the stud.



4 Using a power drill and 5/32" drill bit, drill pilot holes of 5/32" (4mm) diameter and at least 2" (50mm) depth.



5 Mount the wall plate (C) and tighten it with the provided lag bolts (P-A) using a proper Phillips Screwdriver.

NOTE

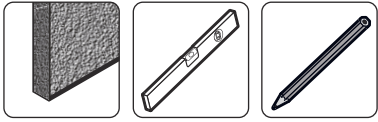
Do NOT use power drill and do NOT over tighten the lag bolts.

WARNING

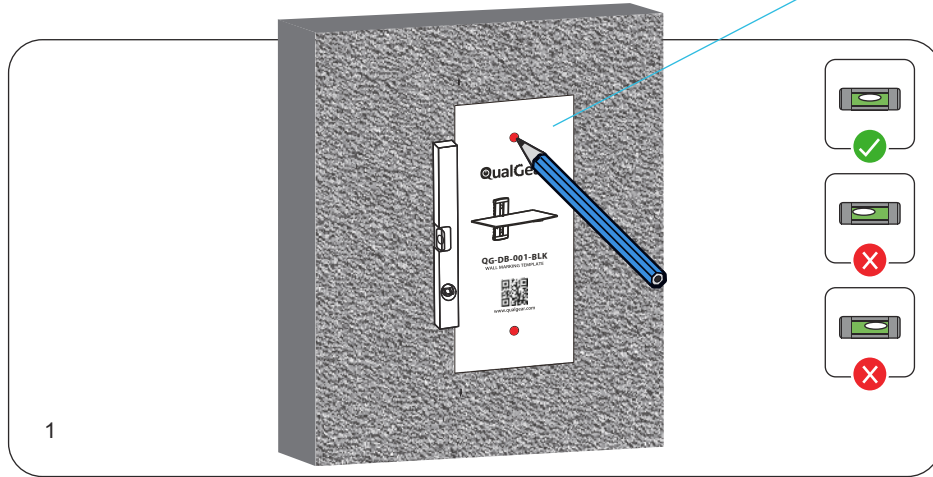
- Make sure that mounting screws are anchored into the center of the studs. The use of a stud finder is highly recommended.
- Installers are responsible to provide hardware for other types of mounting situations.
- Installers must verify that the supporting surface will safely support the combined weight of the equipment and all attached hardware and components.

SKIP TO STEP 2 →

1b Mounting to a Concrete Wall

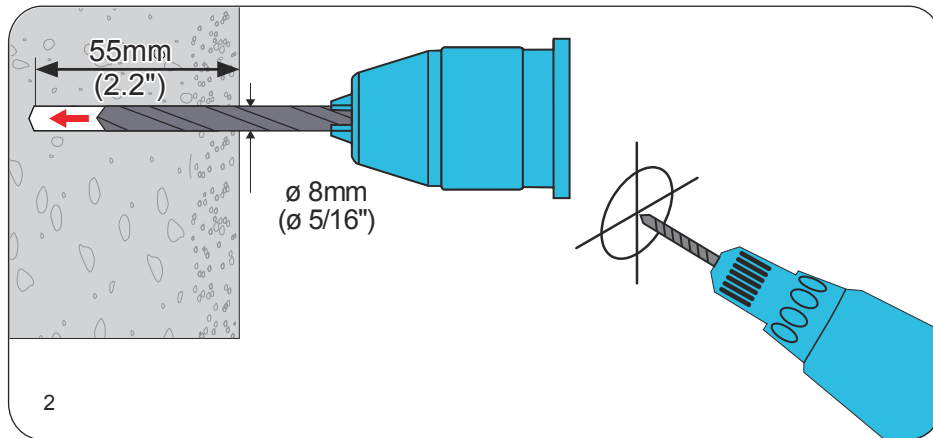


F Marking Template



1

Hold the marking template (F) provided against the wall where you want to install your AV equipment, mark two holes for drilling.



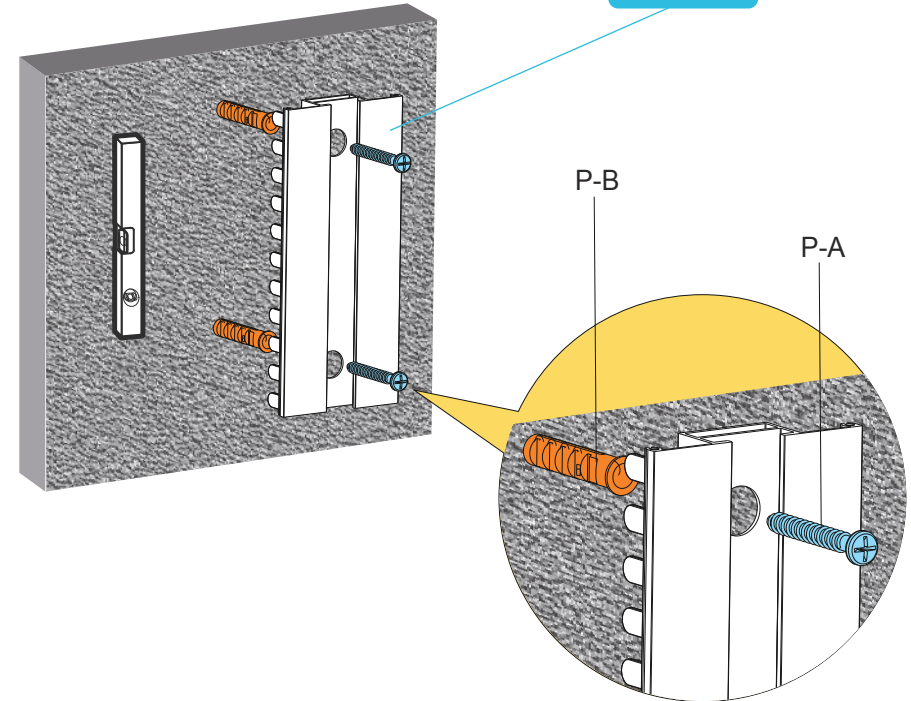
2

Using a power drill and a 5/16" masonry drill bit, drill mounting holes of 5/16" (8 mm) diameter and 2.2" (55 mm) depth at the marked locations in the previous step.

NOTE

Do NOT use power drill and do NOT over tighten the lag bolts.

C Wall Plate

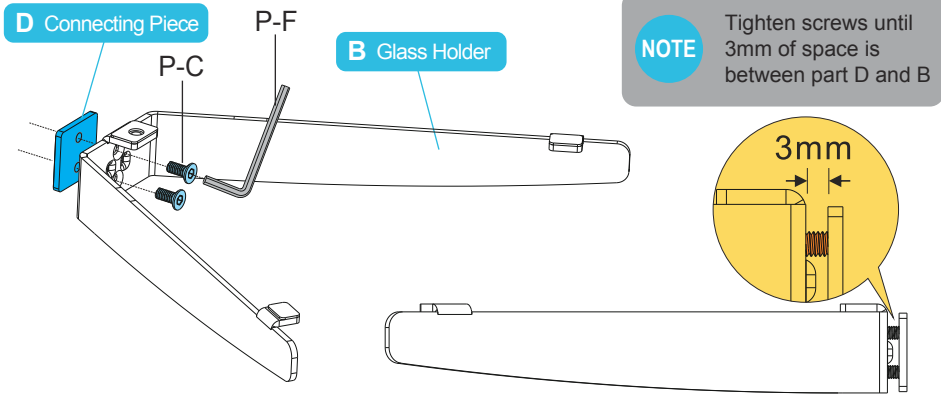


- 3 Place concrete anchors (P-B) in each hole. Tap each anchor flush with the wall using a hammer. Using a proper Phillips screwdriver, mount the wall plate (C) and fasten them with the provided lag bolts (P-A).

WARNING

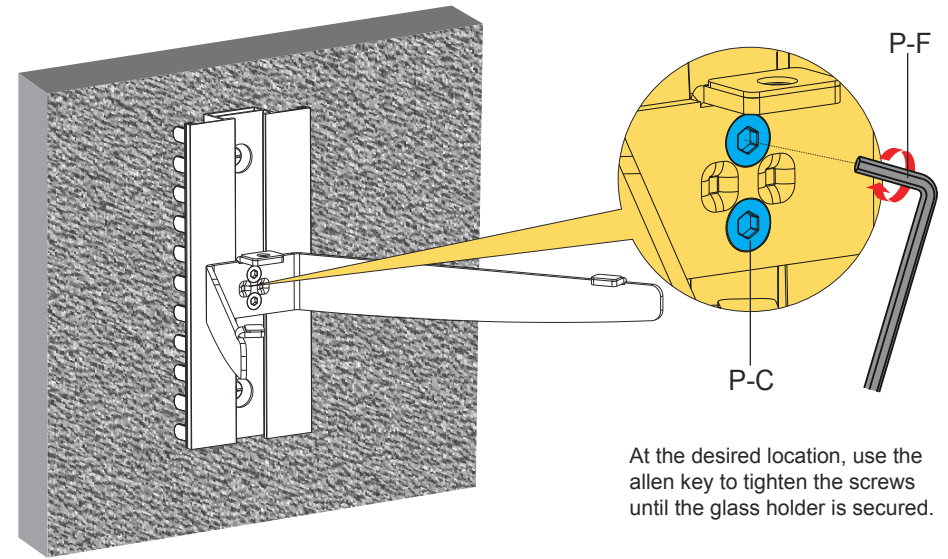
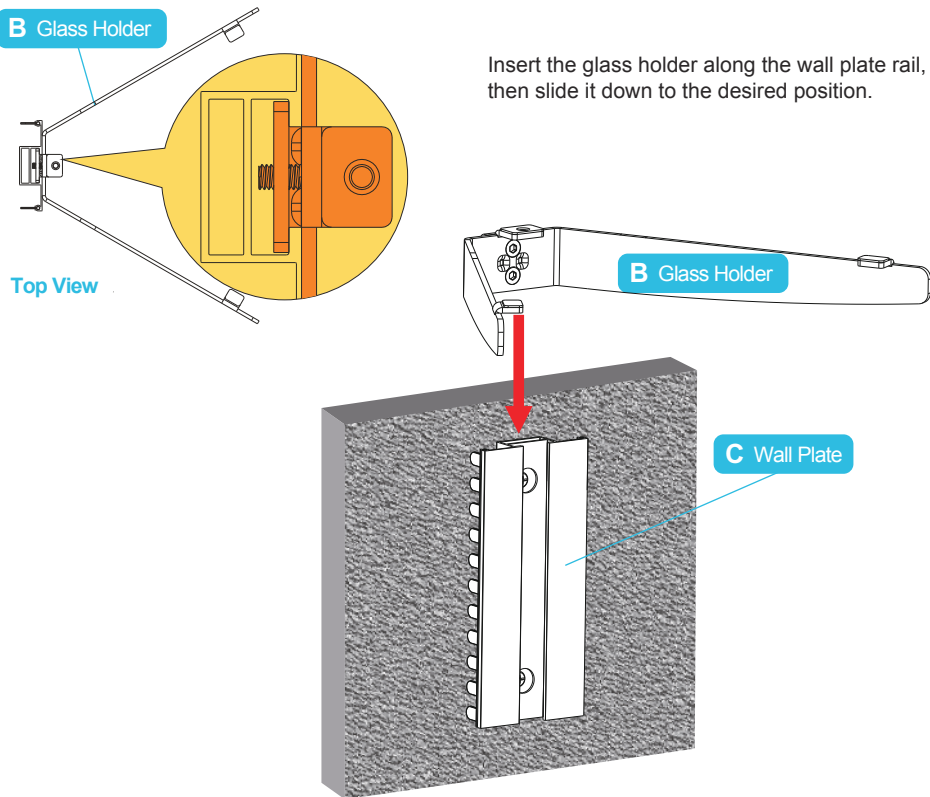
- Installers must verify that the supporting surface will safely support the combined weight of the equipment and all attached hardware and components.

2 Assembling the Glass Holder and the Connecting Piece

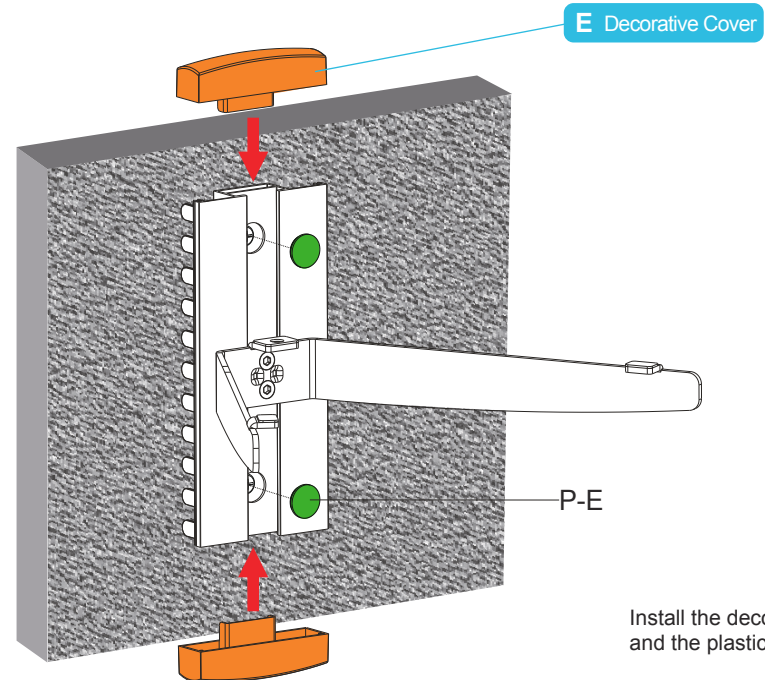


Install the connecting piece (D) to the glass holder (B).

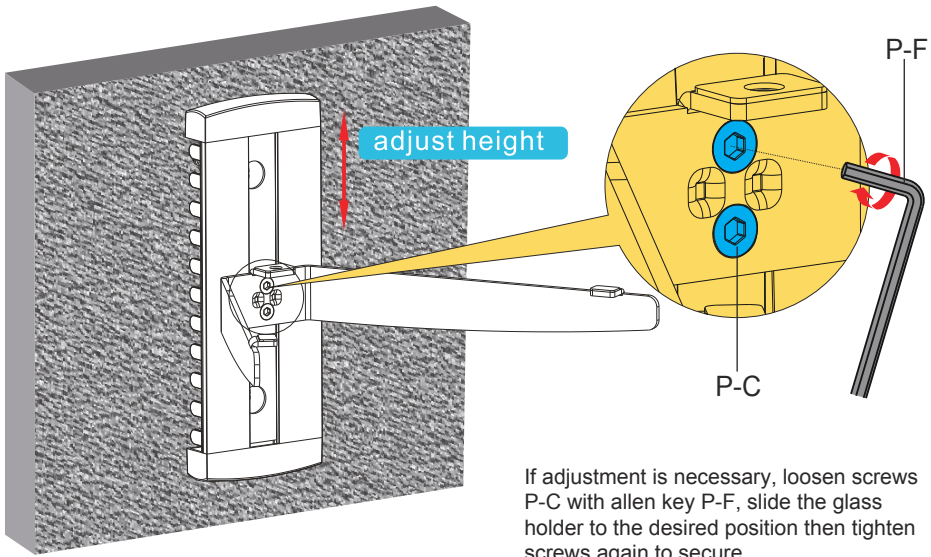
3 Installing the Glass Holder to the Wall Plate



At the desired location, use the allen key to tighten the screws until the glass holder is secured.



Install the decorative covers and the plastic caps.



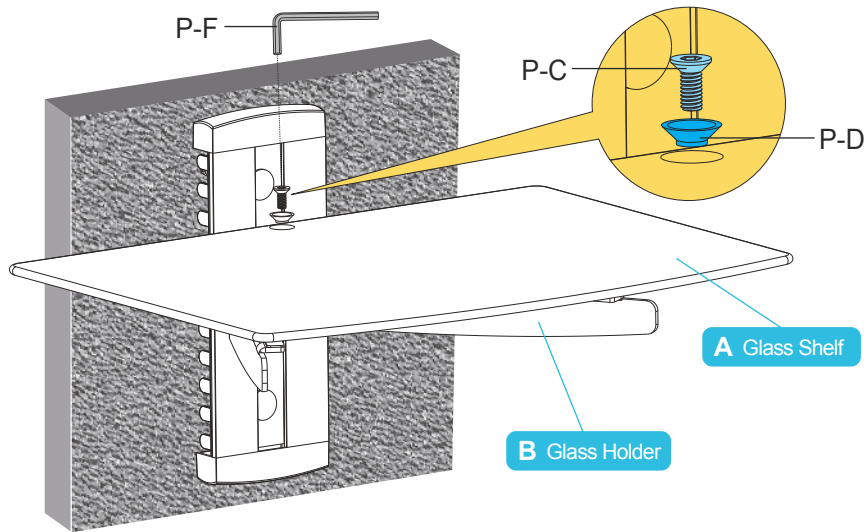
adjust height

P-F

P-C

If adjustment is necessary, loosen screws P-C with allen key P-F, slide the glass holder to the desired position then tighten screws again to secure.

4 Installing the Glass Shelf



P-F

P-C

P-D

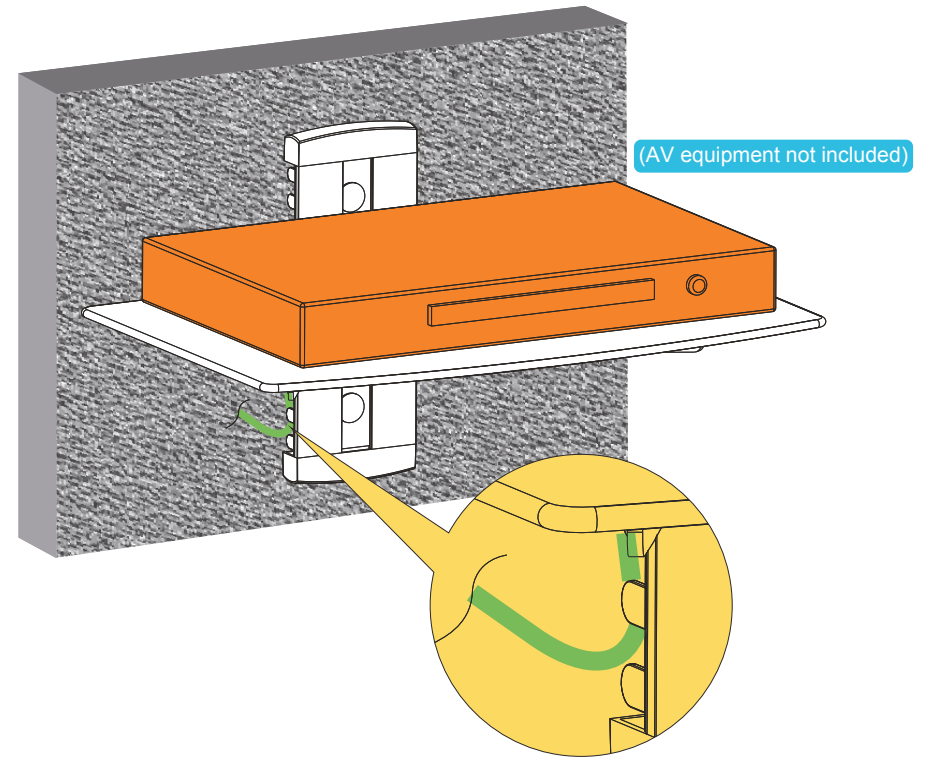
A Glass Shelf

B Glass Holder

Attach the glass shelf to the glass holder using the screw and the plastic bush.

NOTE Tighten all screws but do not over tighten.

5 Cable Management



(AV equipment not included)

Place the glass gently on the mounted glass holder. Run the cable through the cable clips.