

## SN74AHCT16244 16-Bit Buffers/Drivers With 3-State Outputs

### 1 Features

- Members of the Texas Instruments *Widebus*™ Family
- *EPIC*™ (Enhanced-Performance Implanted CMOS) Process
- Inputs are TTL-Voltage Compatible
- Distributed V<sub>CC</sub> and GND Pins Minimize High-Speed Switching Noise
- Flow-Through Architecture Optimizes PCB Layout
- Latch-Up Performance Exceeds 250 mA Per JESD 17
- ESD Protection Exceeds 2000 V Per MIL-STD-883, Method 3015
- Package Options Include:
  - Plastic Shrink Small Outline (DL) Package
  - Thin Shrink Small Outline (DGG) Package
  - Thin Very Small Outline (DGV) Package
  - 380-mil Fine-Pitch Ceramic Flat (WD) Package Using 25-mil Center-to-Center Spacings

### 2 Applications

- Telecom Infrastructure
- Wireless Infrastructure
- Electronic Points of Sale
- Health and Fitness
- Printers and Other Peripherals
- Motor Drives

### 3 Description

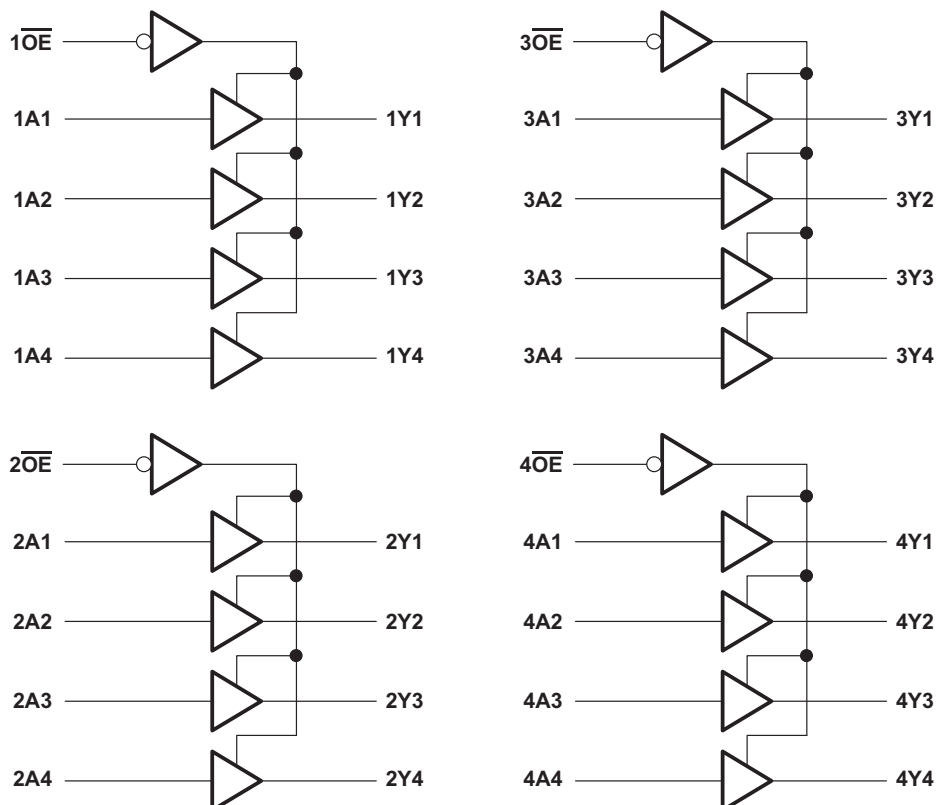
The SN74AHCT16244 device is a 16-bit buffer and line driver specifically designed to improve the performance and density of 3-state memory address drivers, clock drivers, and bus-oriented receivers and transmitters.

#### Device Information<sup>(1)</sup>

| PART NUMBER   | PACKAGE    | BODY SIZE (NOM)    |
|---------------|------------|--------------------|
| SN74AHCT16244 | TSSOP (48) | 12.50 mm x 6.10 mm |
|               | TVSOP (48) | 9.70 mm x 4.40 mm  |
|               | SSOP (48)  | 15.80 mm x 7.50 mm |

(1) For all available packages, see the orderable addendum at the end of the data sheet.

### 4 Simplified Schematic



## Table of Contents

|          |   |          |           |   |           |
|----------|---|----------|-----------|---|-----------|
| <b>1</b> | <b>Features</b> .....   | <b>1</b> | <b>9</b>  | <b>Detailed Description</b> .....                             | <b>9</b>  |
| <b>2</b> | <b>Applications</b> .....   | <b>1</b> | 9.1       | Overview .....  | 9         |
| <b>3</b> | <b>Description</b> .....  | <b>1</b> | 9.2       | Functional Block Diagram .....                                | 9         |
| <b>4</b> | <b>Simplified Schematic</b> .....                                       | <b>1</b> | 9.3       | Feature Description .....                                     | 9         |
| <b>5</b> | <b>Revision History</b> .....   | <b>2</b> | 9.4       | Device Functional Modes .....                                 | 9         |
| <b>6</b> | <b>Pin Configuration and Functions</b> .....                            | <b>3</b> | <b>10</b> | <b>Application and Implementation</b> .....                   | <b>10</b> |
| <b>7</b> | <b>Specifications</b> .....   | <b>5</b> | 10.1      | Application Information .....                                 | 10        |
| 7.1      | Absolute Maximum Ratings .....  | 5        | 10.2      | Typical Application .....                                     | 10        |
| 7.2      | Handling Ratings .....  | 5        | <b>11</b> | <b>Power Supply Recommendations</b> .....                     | <b>11</b> |
| 7.3      | Recommended Operating Conditions .....                                  | 5        | <b>12</b> | <b>Layout</b> .....   | <b>11</b> |
| 7.4      | Thermal Information .....   | 6        | 12.1      | Layout Guidelines .....                                       | 11        |
| 7.5      | Electrical Characteristics .....  | 6        | 12.2      | Layout Example .....  | 11        |
| 7.6      | Switching Characteristics, $V_{CC} = 5\text{ V} \pm 0.5\text{ V}$ ..... | 6        | <b>13</b> | <b>Device and Documentation Support</b> .....                 | <b>12</b> |
| 7.7      | Noise Characteristics .....   | 7        | 13.1      | Trademarks .....  | 12        |
| 7.8      | Operating Characteristics .....   | 7        | 13.2      | Electrostatic Discharge Caution .....                         | 12        |
| 7.9      | Typical Characteristics .....   | 7        | 13.3      | Glossary .....  | 12        |
| <b>8</b> | <b>Parameter Measurement Information</b> .....                          | <b>8</b> | <b>14</b> | <b>Mechanical, Packaging, and Orderable Information</b> ..... | <b>12</b> |

## 5 Revision History

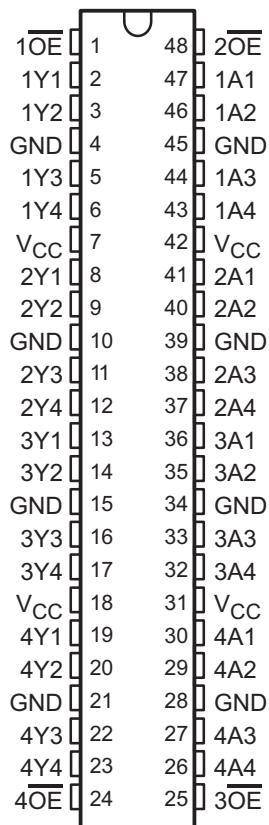
### Changes from Revision I (January 2000) to Revision J

Page

|   |    |
|---|----|
| • Updated document to new TI data sheet format. ....  | 1  |
| • Deleted Ordering Information table. ....  | 1  |
| • Deleted SN54AHCT16244 device from data sheet. ....  | 1  |
| • Added Applications. ....  | 1  |
| • Added Pin Functions table. ....   | 3  |
| • Added Handling Ratings table. ....  | 5  |
| • Changed MAX operating temperature to 125°C in Recommended Operating Conditions table. ....              | 5  |
| • Added Thermal Information table. ....   | 6  |
| • Added –40°C to 125°C range for SN74AHCT16244 in Electrical Characteristics table. ....                  | 6  |
| • Added $T_A = -40^\circ\text{C}$ to 125°C for SN74AHCT16244 in the Switching Characteristics table. .... | 6  |
| • Added Typical Characteristics. ....   | 7  |
| • Added Detailed Description section. ....  | 9  |
| • Added Application and Implementation section. ....  | 10 |
| • Added Power Supply Recommendations and Layout sections. ....  | 11 |

## 6 Pin Configuration and Functions

SN74AHCT16244 . . . DGG, DGV, OR DL PACKAGE  
(TOP VIEW)



**Pin Functions**

| PIN |                  | I/O | DESCRIPTION     |
|-----|------------------|-----|-----------------|
| NO. | NAME             |     |                 |
| 1   | $\overline{1OE}$ | I   | Output Enable 1 |
| 2   | 1Y1              | O   | 1Y1 Output      |
| 3   | 1Y2              | O   | 1Y2 Output      |
| 4   | GND              | —   | Ground Pin      |
| 5   | 1Y3              | O   | 1Y3 Output      |
| 6   | 1Y4              | O   | 1Y4 Output      |
| 7   | V <sub>CC</sub>  | —   | Power Pin       |
| 8   | 2Y1              | O   | 2Y1 Output      |
| 9   | 2Y2              | O   | 2Y2 Output      |
| 10  | GND              | —   | Ground Pin      |
| 11  | 2Y3              | O   | 2Y3 Output      |
| 12  | 2Y4              | O   | 2Y4 Output      |
| 13  | 3Y1              | O   | 3Y1 Output      |
| 14  | 3Y2              | O   | 3Y2 Output      |
| 15  | GND              | —   | Ground Pin      |
| 16  | 3Y3              | O   | 3Y3 Output      |
| 17  | 3Y4              | O   | 3Y4 Output      |
| 18  | V <sub>CC</sub>  | —   | Power Pin       |

**Pin Functions (continued)**

| PIN |                  | I/O | DESCRIPTION     |
|-----|------------------|-----|-----------------|
| NO. | NAME             |     |                 |
| 19  | 4Y1              | O   | 4Y1 Output      |
| 20  | 4Y2              | O   | 4Y2 Output      |
| 21  | GND              | —   | Ground Pin      |
| 22  | 4Y3              | O   | 4Y3 Output      |
| 23  | 4Y4              | O   | 4Y4 Output      |
| 24  | $\overline{4OE}$ | I   | Output Enable 4 |
| 25  | $\overline{3OE}$ | I   | Output Enable 3 |
| 26  | 4A4              | I   | 4A4 Input       |
| 27  | 4A3              | I   | 4A3 Input       |
| 28  | GND              | —   | Ground Pin      |
| 29  | 4A2              | I   | 4A2 Input       |
| 30  | 4A1              | I   | 4A1 Input       |
| 31  | V <sub>CC</sub>  | —   | Power Pin       |
| 32  | 3A4              | I   | 3A4 Input       |
| 33  | 3A3              | I   | 3A3 Input       |
| 34  | GND              | —   | Ground Pin      |
| 35  | 3A2              | I   | 3A2 Input       |
| 36  | 3A1              | I   | 3A1 Input       |
| 37  | 2A4              | I   | 2A4 Input       |
| 38  | 2A3              | I   | 2A3 Input       |
| 39  | GND              | —   | Ground Pin      |
| 40  | 2A2              | I   | 2A2 Input       |
| 41  | 2A1              | I   | 2A1 Input       |
| 42  | V <sub>CC</sub>  | —   | Power Pin       |
| 43  | 1A4              | I   | 1A4 Input       |
| 44  | 1A3              | I   | 1A3 Input       |
| 45  | GND              | —   | Ground Pin      |
| 46  | 1A2              | I   | 1A2 Input       |
| 47  | 1A1              | I   | 1A1 Input       |
| 48  | $\overline{2OE}$ | I   | Output Enable 2 |

## 7 Specifications

### 7.1 Absolute Maximum Ratings<sup>(1)</sup>

over operating free-air temperature range (unless otherwise noted)

|  |                                     | MIN                         | MAX            | UNIT |
|--|-------------------------------------|-----------------------------|----------------|------|
| $V_{CC}$                                   | Supply voltage range                | -0.5                        | 7              | V    |
| $V_I$                                      | Input voltage range <sup>(2)</sup>  | -0.5                        | 7              | V    |
| $V_O$                                      | Output voltage range <sup>(2)</sup> | -0.5                        | $V_{CC} + 0.5$ | V    |
| $I_{IK}$                                   | Input clamp current                 | $V_I < 0$                   | -20            | mA   |
| $I_{OK}$                                   | Output clamp current                | $V_O < 0$ or $V_O > V_{CC}$ | ±20            | mA   |
| $I_O$                                      | Continuous output current           | $V_O = 0$ to $V_{CC}$       | ±25            | mA   |
| Continuous current through $V_{CC}$ or GND |                                     |                             | ±75            | mA   |

- (1) Stresses beyond those listed under *Absolute Maximum Ratings* may cause permanent damage to the device. These are stress ratings only, and functional operation of the device at these or any other conditions beyond those indicated under *Recommended Operating Conditions* is not implied. Exposure to absolute-maximum-rated conditions for extended periods may affect device reliability.
- (2) The input and output voltage ratings may be exceeded if the input and output current ratings are observed.

### 7.2 Handling Ratings

|             |                           | MIN  | MAX | UNIT |   |
|-------------|---------------------------|--|-----|------|---|
| $T_{stg}$   | Storage temperature range | -65  | 150 | °C   |   |
| $V_{(ESD)}$ | Electrostatic discharge   | Human body model (HBM), per ANSI/ESDA/JEDEC JS-001, all pins <sup>(1)</sup>              | 0   | 2000 | V |
|             |                           | Charged device model (CDM), per JEDEC specification JESD22-C101, all pins <sup>(2)</sup> | 0   | 2000 |   |

- (1) JEDEC document JEP155 states that 500-V HBM allows safe manufacturing with a standard ESD control process.
- (2) JEDEC document JEP157 states that 250-V CDM allows safe manufacturing with a standard ESD control process.

### 7.3 Recommended Operating Conditions

over operating free-air temperature range (unless otherwise noted)<sup>(1)</sup>

|                     |                                    | SN74AHCT16244 |          | UNIT |
|---------------------|------------------------------------|---------------|----------|------|
|                     |                                    | MIN           | MAX      |      |
| $V_{CC}$            | Supply voltage                     | 4.5           | 5.5      | V    |
| $V_{IH}$            | High-level input voltage           | 2             |          | V    |
| $V_{IL}$            | Low-level input voltage            |               | 0.8      | V    |
| $V_I$               | Input voltage                      | 0             | 5.5      | V    |
| $V_O$               | Output voltage                     | 0             | $V_{CC}$ | V    |
| $I_{OH}$            | High-level output current          |               | -8       | mA   |
| $I_{OL}$            | Low-level output current           |               | 8        | mA   |
| $\Delta t/\Delta v$ | Input transition rise or fall rate |               | 20       | ns/V |
| $T_A$               | Operating free-air temperature     | -40           | 125      | °C   |

- (1) All unused inputs of the device must be held at  $V_{CC}$  or GND to ensure proper device operation. Refer to the TI application report, *Implications of Slow or Floating CMOS Inputs (SCBA004)*.

## 7.4 Thermal Information

| THERMAL METRIC <sup>(1)</sup> |  | SN74AHCT16244 |         |         | UNIT |
|-------------------------------|--|---------------|---------|---------|------|
|                               |  | DGG           | DGV     | DL      |      |
|                               |  | 48 PINS       | 48 PINS | 48 PINS |      |
| R <sub>θJA</sub>              | Junction-to-ambient thermal resistance       | 72.5          | 83.5    | 64.6    | °C/W |
| R <sub>θJC(top)</sub>         | Junction-to-case (top) thermal resistance    | 26.8          | 35.7    | 34.5    |      |
| R <sub>θJB</sub>              | Junction-to-board thermal resistance         | 39.4          | 46.6    | 36.4    |      |
| ψ <sub>JT</sub>               | Junction-to-top characterization parameter   | 2.6           | 4.3     | 11.1    |      |
| ψ <sub>JB</sub>               | Junction-to-board characterization parameter | 39.1          | 46.0    | 36.1    |      |

(1) For more information about traditional and new thermal metrics, see the *IC Package Thermal Metrics* application report ([SPRA953](#)).

## 7.5 Electrical Characteristics

over recommended operating free-air temperature range (unless otherwise noted)

| PARAMETER                       | TEST CONDITIONS   | V <sub>CC</sub> | T <sub>A</sub> = 25°C |     |       | SN74AHCT16244 |      | –40°C to 125°C<br>SN74AHCT16244 |     | UNIT |
|---------------------------------|---|-----------------|-----------------------|-----|-------|---------------|------|---------------------------------|-----|------|
|                                 |   |                 | MIN                   | TYP | MAX   | MIN           | MAX  | MIN                             | MAX |      |
| V <sub>OH</sub>                 | I <sub>OH</sub> = –50 μA                                      | 4.5 V           | 4.4                   | 4.5 |       | 4.4           |      | 4.4                             | V   |      |
|                                 | I <sub>OH</sub> = –8 mA                                       |                 | 3.94                  |     |       | 3.8           |      | 3.8                             |     |      |
| V <sub>OL</sub>                 | I <sub>OL</sub> = 50 μA                                       | 4.5 V           |                       |     | 0.1   |               | 0.1  | 0.1                             | V   |      |
|                                 | I <sub>OL</sub> = 8 mA  |                 |                       |     | 0.36  |               | 0.44 | 0.44                            |     |      |
| I <sub>I</sub>                  | V <sub>I</sub> = V <sub>CC</sub> or GND                       | 0 V to 5.5 V    |                       |     | ±0.1  |               | ±1   | ±1                              | μA  |      |
| I <sub>OZ</sub>                 | V <sub>O</sub> = V <sub>CC</sub> or GND                       | 5.5 V           |                       |     | ±0.25 |               | ±2.5 | ±2.5                            | μA  |      |
| I <sub>CC</sub>                 | V <sub>I</sub> = V <sub>CC</sub> or GND, I <sub>O</sub> = 0   | 5.5 V           |                       |     | 4     |               | 40   | 40                              | μA  |      |
| ΔI <sub>CC</sub> <sup>(1)</sup> | One input at 3.4 V,<br>Other inputs at V <sub>CC</sub> or GND | 5.5 V           |                       |     | 1.35  |               | 1.5  | 1.5                             | mA  |      |
| C <sub>I</sub>                  | V <sub>I</sub> = V <sub>CC</sub> or GND                       | 5 V             |                       | 2.5 | 10    |               | 10   | 10                              | pF  |      |
| C <sub>O</sub>                  | V <sub>O</sub> = V <sub>CC</sub> or GND                       | 5 V             |                       | 3   |       |               |      |                                 | pF  |      |

(1) This is the increase in supply current for each input at one of the specified TTL voltage levels rather than 0 V or V<sub>CC</sub>.

## 7.6 Switching Characteristics, V<sub>CC</sub> = 5 V ± 0.5 V

over recommended operating free-air temperature range (unless otherwise noted) (see [Figure 2](#))

| PARAMETER          | FROM (INPUT) | TO (OUTPUT) | LOAD CAPACITANCE       | T <sub>A</sub> = 25°C |                     | SN74AHCT16244 |      | T <sub>A</sub> = –40°C to 125°C<br>SN74AHCT16244 |      | UNIT |
|--------------------|--------------|-------------|------------------------|-----------------------|---------------------|---------------|------|--|------|------|
|                    |              |             |                        | TYP                   | MAX                 | MIN           | MAX  | MIN  | MAX  |      |
| t <sub>PLH</sub>   | A            | Y           | C <sub>L</sub> = 15 pF | 5.4 <sup>(1)</sup>    | 8.5 <sup>(1)</sup>  | 1             | 9.5  | 1  | 10.5 | ns   |
| t <sub>PHL</sub>   |              |             |                        | 5.4 <sup>(1)</sup>    | 8.5 <sup>(1)</sup>  | 1             | 9.5  | 1  | 10.5 |      |
| t <sub>PZH</sub>   | OE           | Y           | C <sub>L</sub> = 15 pF | 7.7 <sup>(1)</sup>    | 10.4 <sup>(1)</sup> | 1             | 12   | 1  | 13   | ns   |
| t <sub>PZL</sub>   |              |             |                        | 7.7 <sup>(1)</sup>    | 10.4 <sup>(1)</sup> | 1             | 12   | 1  | 13   |      |
| t <sub>PHZ</sub>   | OE           | Y           | C <sub>L</sub> = 15 pF | 5 <sup>(1)</sup>      | 10.4 <sup>(1)</sup> | 1             | 12   | 1  | 13   | ns   |
| t <sub>PLZ</sub>   |              |             |                        | 5 <sup>(1)</sup>      | 10.4 <sup>(1)</sup> | 1             | 12   | 1  | 13   |      |
| t <sub>PLH</sub>   | A            | Y           | C <sub>L</sub> = 50 pF | 7                     | 9.5                 | 1             | 10.5 | 1  | 11.5 | ns   |
| t <sub>PHL</sub>   |              |             |                        | 5.9                   | 9.5                 | 1             | 10.5 | 1  | 11.5 |      |
| t <sub>PZH</sub>   | OE           | Y           | C <sub>L</sub> = 50 pF | 8.2                   | 11.4                | 1             | 13   | 1  | 14.5 | ns   |
| t <sub>PZL</sub>   |              |             |                        | 8.2                   | 11.4                | 1             | 13   | 1  | 14.5 |      |
| t <sub>PHZ</sub>   | OE           | Y           | C <sub>L</sub> = 50 pF | 8.8                   | 11.4                | 1             | 13   | 1  | 14   | ns   |
| t <sub>PLZ</sub>   |              |             |                        | 8.8                   | 11.4                | 1             | 13   | 1  | 14   |      |
| t <sub>sk(o)</sub> |              |             | C <sub>L</sub> = 50 pF |                       | 1 <sup>(2)</sup>    |               | 1    |  | 1    | ns   |

(1) On products compliant to MIL-PRF-38535, this parameter is not production tested.

(2) On products compliant to MIL-PRF-38535, this parameter does not apply.

### 7.7 Noise Characteristics

$V_{CC} = 5\text{ V}$ ,  $C_L = 50\text{ pF}$ ,  $T_A = 25^\circ\text{C}^{(1)}$

| PARAMETER   |  | SN74AHCT16244 |      |     | UNIT |
|-------------|--|---------------|------|-----|------|
|             |  | MIN           | TYP  | MAX |      |
| $V_{OL(P)}$ | Quiet output, maximum dynamic $V_{OL}$ |               | 0.7  |     | V    |
| $V_{OL(V)}$ | Quiet output, minimum dynamic $V_{OL}$ |               | -0.7 |     | V    |
| $V_{OH(V)}$ | Quiet output, minimum dynamic $V_{OH}$ |               | 4.8  |     | V    |
| $V_{IH(D)}$ | High-level dynamic input voltage       | 2             |      |     | V    |
| $V_{IL(D)}$ | Low-level dynamic input voltage        |               |      | 0.8 | V    |

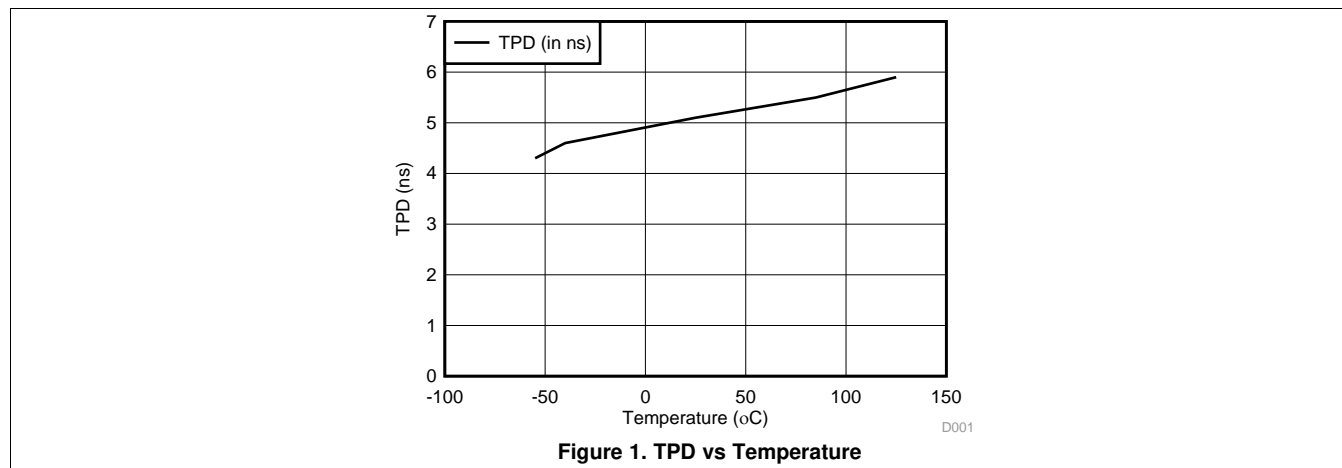
(1) Characteristics are for surface-mount packages only.

### 7.8 Operating Characteristics

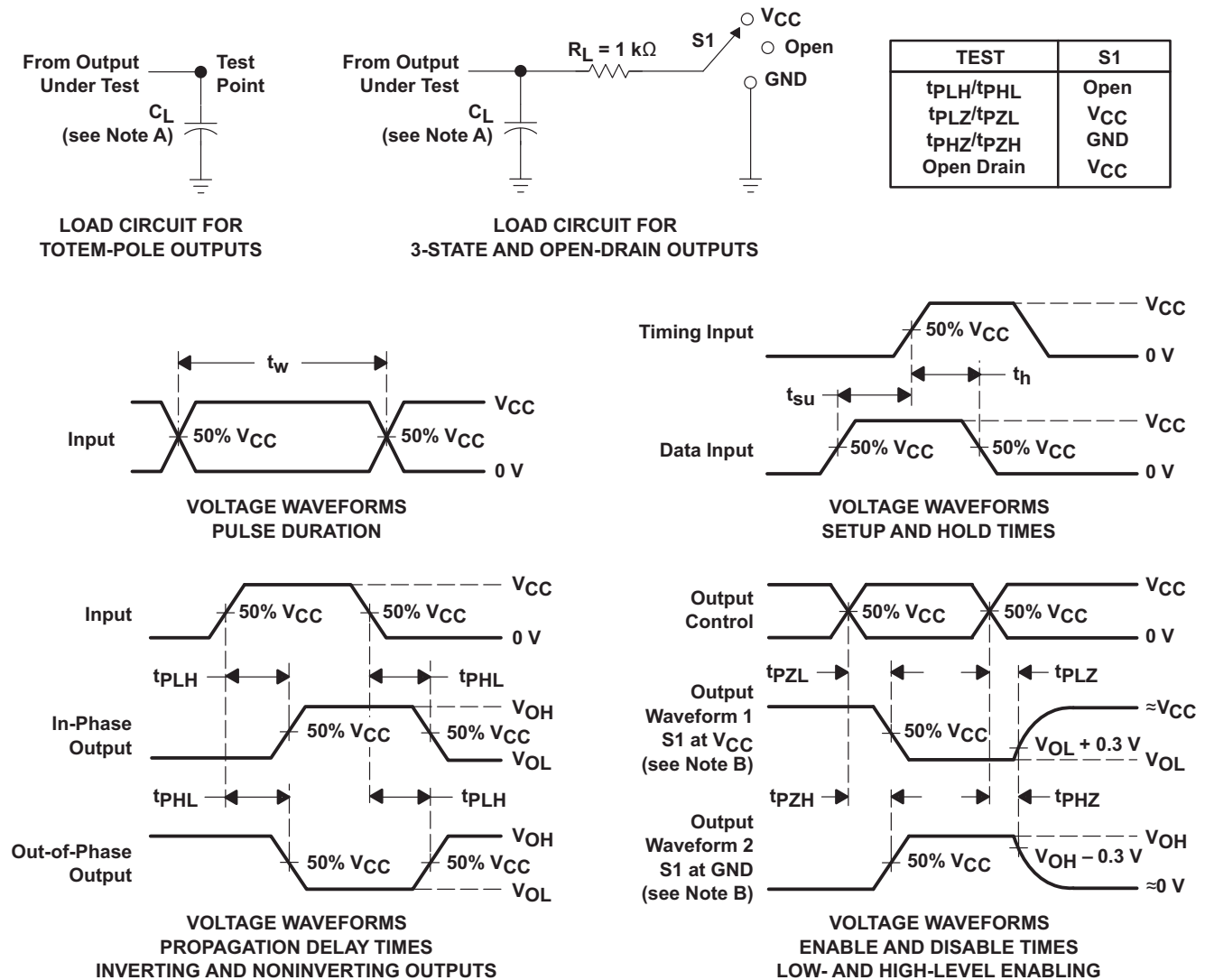
$V_{CC} = 5\text{ V}$ ,  $T_A = 25^\circ\text{C}$

| PARAMETER | TEST CONDITIONS             | TYP | UNIT |
|-----------|-----------------------------|-----|------|
| $C_{pd}$  | No load, $f = 1\text{ MHz}$ | 8.2 | pF   |

### 7.9 Typical Characteristics



## 8 Parameter Measurement Information



NOTES: A.  $C_L$  includes probe and jig capacitance.

B. Waveform 1 is for an output with internal conditions such that the output is low except when disabled by the output control. Waveform 2 is for an output with internal conditions such that the output is high except when disabled by the output control.

C. All input pulses are supplied by generators having the following characteristics:  $PRR \leq 1\text{ MHz}$ ,  $Z_O = 50\ \Omega$ ,  $t_r \leq 3\text{ ns}$ ,  $t_f \leq 3\text{ ns}$ .

D. The outputs are measured one at a time with one input transition per measurement.

**Figure 2. Load Circuit and Voltage Waveforms**

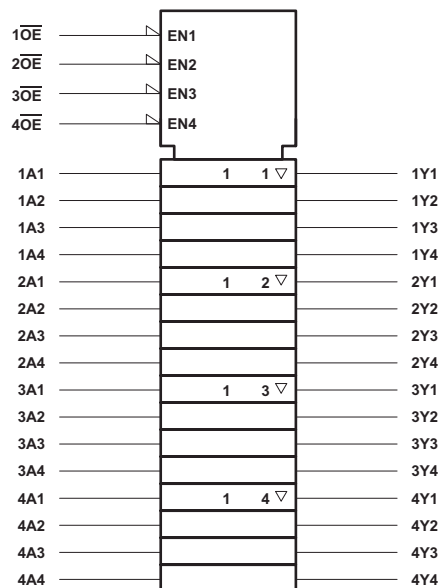


## 9 Detailed Description

### 9.1 Overview

The SN74AHCT16244 device is a 16-bit buffer and line driver specifically designed to improve the performance and density of 3-state memory address drivers, clock drivers, and bus-oriented receivers and transmitters. This device can be used as a four 4-bit buffers, two 8-bit buffers, or one 16-bit buffer. It provides true outputs and symmetrical active-low output-enable ( $\overline{OE}$ ) inputs. To ensure the high-impedance state during power up or power down,  $\overline{OE}$  should be tied to  $V_{CC}$  through a pullup resistor. The minimum value of the resistor is determined by the current-sinking capability of the driver. The SN74AHCT16244 is characterized for operation from  $-40^{\circ}\text{C}$  to  $125^{\circ}\text{C}$ .

### 9.2 Functional Block Diagram



This symbol is in accordance with ANSI/IEEE Std 91-1984 and IEC Publication 617-12.

Figure 3.

### 9.3 Feature Description

- $V_{CC}$  is optimized at 5 V
- Allows up voltage translation from 3.3 V to 5 V
  - Inputs accept  $V_{IH}$  levels of 2 V
- Slow edge rates minimize output ringing
- Inputs are TTL-voltage compatible

### 9.4 Device Functional Modes

Table 1. Function Table  
(Each 4-bit Buffer/Driver)

| INPUTS          |   | OUTPUT<br>Y |
|-----------------|---|-------------|
| $\overline{OE}$ | A |             |
| L               | H | H           |
| L               | L | L           |
| H               | X | Z           |

## 10 Application and Implementation

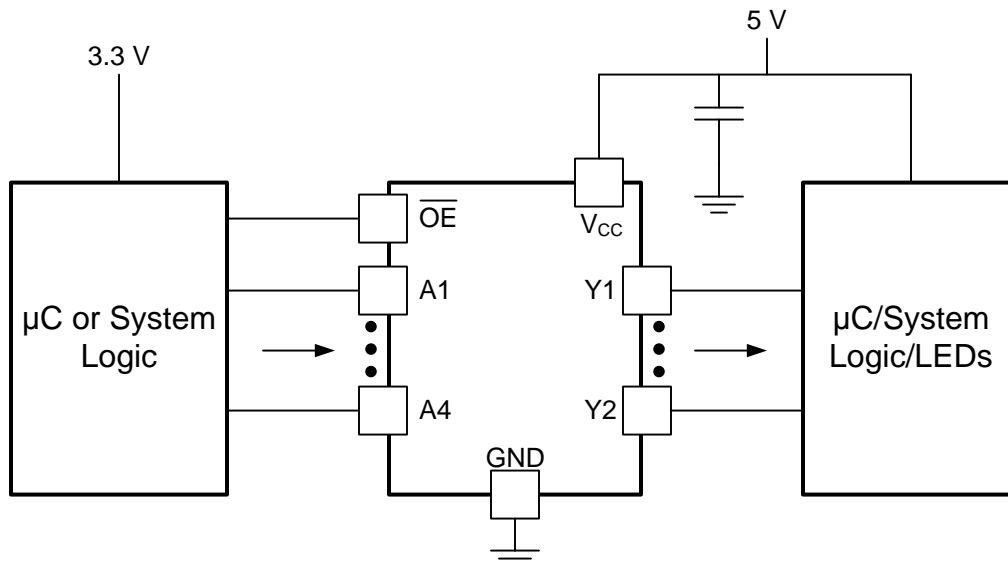
### NOTE

Information in the following applications sections is not part of the TI component specification, and TI does not warrant its accuracy or completeness. TI's customers are responsible for determining suitability of components for their purposes. Customers should validate and test their design implementation to confirm system functionality.

### 10.1 Application Information

The SN74HCT16244 is a low-drive CMOS device that can be used for a multitude of bus interface type applications where output ringing is a concern. The low drive and slow edge rates will minimize overshoot and undershoot on the outputs. The input switching levels have been lowered to accommodate TTL inputs of 0.8-V  $V_{IL}$  and 2-V  $V_{IH}$ . This feature makes it ideal for translating up from 3.3 V to 5 V. The figure below shows this type of translation

### 10.2 Typical Application



**Figure 4. Typical Application Schematic**

#### 10.2.1 Design Requirements

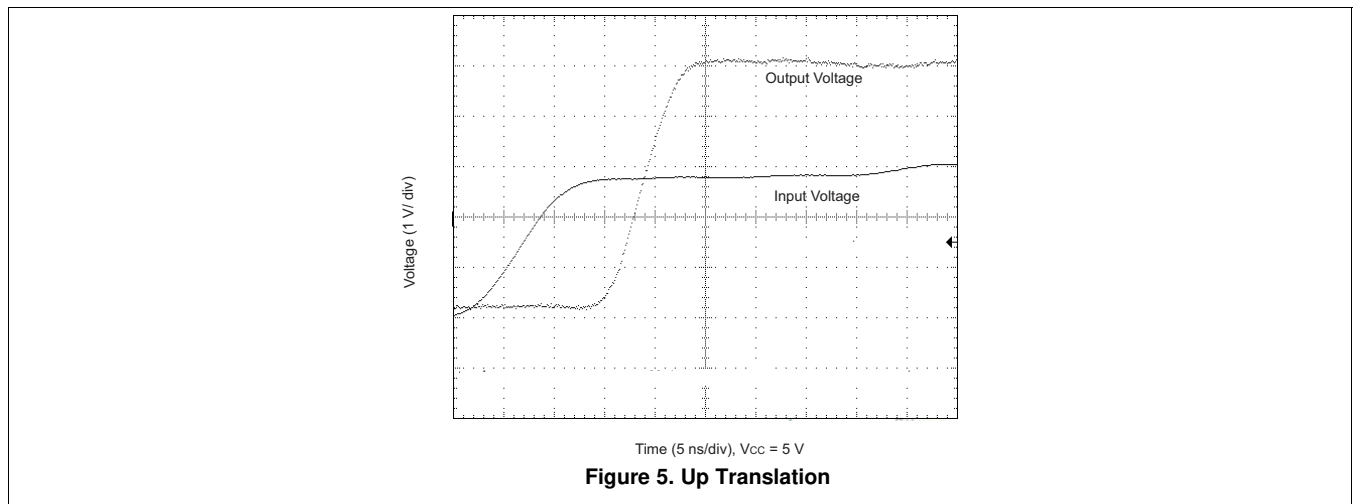
This device uses CMOS technology and has balanced output drive. Care should be taken to avoid bus contention because it can drive currents that would exceed maximum limits. The high drive will also create fast edges into light loads, so routing and load conditions should be considered to prevent ringing.

#### 10.2.2 Detailed Design Procedure

1. Recommended Input Conditions:
  - For rise time and fall time specifications, see  $\Delta t/\Delta V$  in the [Recommended Operating Conditions](#) table.
  - For specified high and low levels, see  $V_{IH}$  and  $V_{IL}$  in the [Recommended Operating Conditions](#) table.
  - Inputs are overvoltage tolerant allowing them to go as high as 5.5 V at any valid  $V_{CC}$ .
2. Recommended Output Conditions:
  - Load currents should not exceed 25 mA per output and 75 mA total for the part.
  - Outputs should not be pulled above  $V_{CC}$ .

## Typical Application (continued)

### 10.2.3 Application Curves



## 11 Power Supply Recommendations

The power supply can be any voltage between the MIN and MAX supply voltage rating located in the [Recommended Operating Conditions](#). Each  $V_{CC}$  terminal should have a good bypass capacitor to prevent power disturbance. For devices with a single supply, 0.1  $\mu\text{F}$  is recommended. If there are multiple  $V_{CC}$  terminals then 0.01  $\mu\text{F}$  or 0.022  $\mu\text{F}$  is recommended for each power terminal. It is acceptable to parallel multiple bypass caps to reject different frequencies of noise. A 0.1  $\mu\text{F}$  and 1  $\mu\text{F}$  are commonly used in parallel. The bypass capacitor should be installed as close to the power terminal as possible for best results.

## 12 Layout

### 12.1 Layout Guidelines

When using multiple bit logic devices, inputs should not float. In many cases, functions or parts of functions of digital logic devices are unused. Some examples are when only two inputs of a triple-input AND gate are used, or when only 3 of the 4-buffer gates are used. Such input pins should not be left unconnected because the undefined voltages at the outside connections result in undefined operational states.

Specified in [Figure 6](#) are rules that must be observed under all circumstances. All unused inputs of digital logic devices must be connected to a high or low bias to prevent them from floating. The logic level that should be applied to any particular unused input depends on the function of the device. Generally they will be tied to GND or  $V_{CC}$ , whichever makes more sense or is more convenient. It is acceptable to float outputs unless the part is a transceiver. If the transceiver has an output enable pin, it will disable the outputs section of the part when asserted. This will not disable the input section of the I/Os so they also cannot float when disabled.

### 12.2 Layout Example

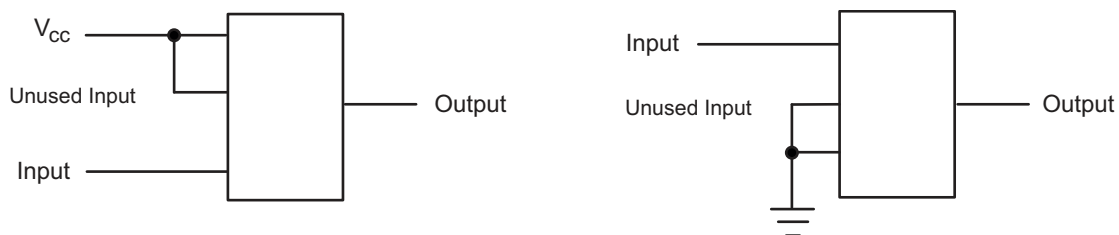


Figure 6. Layout Diagram

## 13 Device and Documentation Support

### 13.1 Trademarks

*Widebus* is a trademark of Texas Instruments.  
All other trademarks are the property of their respective owners.

### 13.2 Electrostatic Discharge Caution



These devices have limited built-in ESD protection. The leads should be shorted together or the device placed in conductive foam during storage or handling to prevent electrostatic damage to the MOS gates.

### 13.3 Glossary

[SLYZ022](#) — *TI Glossary*.

This glossary lists and explains terms, acronyms, and definitions.

## 14 Mechanical, Packaging, and Orderable Information

The following pages include mechanical, packaging, and orderable information. This information is the most current data available for the designated devices. This data is subject to change without notice and revision of this document. For browser-based versions of this data sheet, refer to the left-hand navigation.

**PACKAGING INFORMATION**

| Orderable Device  | Status<br>(1) | Package Type | Package Drawing | Pins | Package Qty | Eco Plan<br>(2) | Lead finish/<br>Ball material<br>(6) | MSL Peak Temp<br>(3) | Op Temp (°C) | Device Marking<br>(4/5) | Samples                 |
|-------------------|---------------|--------------|-----------------|------|-------------|-----------------|--------------------------------------|----------------------|--------------|-------------------------|-------------------------|
| 74AHCT16244DGGRE4 | ACTIVE        | TSSOP        | DGG             | 48   | 2000        | RoHS & Green    | NIPDAU                               | Level-1-260C-UNLIM   | -40 to 125   | AHCT16244               | <a href="#">Samples</a> |
| SN74AHCT16244DGGR | ACTIVE        | TSSOP        | DGG             | 48   | 2000        | RoHS & Green    | NIPDAU                               | Level-1-260C-UNLIM   | -40 to 125   | AHCT16244               | <a href="#">Samples</a> |
| SN74AHCT16244DGVR | ACTIVE        | TVSOP        | DGV             | 48   | 2000        | RoHS & Green    | NIPDAU                               | Level-1-260C-UNLIM   | -40 to 125   | HF244                   | <a href="#">Samples</a> |
| SN74AHCT16244DL   | LIFEBUY       | SSOP         | DL              | 48   | 25          | RoHS & Green    | NIPDAU                               | Level-1-260C-UNLIM   | -40 to 125   | AHCT16244               |                         |
| SN74AHCT16244DLR  | ACTIVE        | SSOP         | DL              | 48   | 1000        | RoHS & Green    | NIPDAU                               | Level-1-260C-UNLIM   | -40 to 125   | AHCT16244               | <a href="#">Samples</a> |

(1) The marketing status values are defined as follows:

**ACTIVE:** Product device recommended for new designs.

**LIFEBUY:** TI has announced that the device will be discontinued, and a lifetime-buy period is in effect.

**NRND:** Not recommended for new designs. Device is in production to support existing customers, but TI does not recommend using this part in a new design.

**PREVIEW:** Device has been announced but is not in production. Samples may or may not be available.

**OBSOLETE:** TI has discontinued the production of the device.

(2) **RoHS:** TI defines "RoHS" to mean semiconductor products that are compliant with the current EU RoHS requirements for all 10 RoHS substances, including the requirement that RoHS substance do not exceed 0.1% by weight in homogeneous materials. Where designed to be soldered at high temperatures, "RoHS" products are suitable for use in specified lead-free processes. TI may reference these types of products as "Pb-Free".

**RoHS Exempt:** TI defines "RoHS Exempt" to mean products that contain lead but are compliant with EU RoHS pursuant to a specific EU RoHS exemption.

**Green:** TI defines "Green" to mean the content of Chlorine (Cl) and Bromine (Br) based flame retardants meet JS709B low halogen requirements of <=1000ppm threshold. Antimony trioxide based flame retardants must also meet the <=1000ppm threshold requirement.

(3) MSL, Peak Temp. - The Moisture Sensitivity Level rating according to the JEDEC industry standard classifications, and peak solder temperature.

(4) There may be additional marking, which relates to the logo, the lot trace code information, or the environmental category on the device.

(5) Multiple Device Markings will be inside parentheses. Only one Device Marking contained in parentheses and separated by a "~" will appear on a device. If a line is indented then it is a continuation of the previous line and the two combined represent the entire Device Marking for that device.

(6) Lead finish/Ball material - Orderable Devices may have multiple material finish options. Finish options are separated by a vertical ruled line. Lead finish/Ball material values may wrap to two lines if the finish value exceeds the maximum column width.

**Important Information and Disclaimer:** The information provided on this page represents TI's knowledge and belief as of the date that it is provided. TI bases its knowledge and belief on information provided by third parties, and makes no representation or warranty as to the accuracy of such information. Efforts are underway to better integrate information from third parties. TI has taken and

continues to take reasonable steps to provide representative and accurate information but may not have conducted destructive testing or chemical analysis on incoming materials and chemicals. TI and TI suppliers consider certain information to be proprietary, and thus CAS numbers and other limited information may not be available for release.

In no event shall TI's liability arising out of such information exceed the total purchase price of the TI part(s) at issue in this document sold by TI to Customer on an annual basis.

**TAPE AND REEL INFORMATION**

**QUADRANT ASSIGNMENTS FOR PIN 1 ORIENTATION IN TAPE**


\*All dimensions are nominal

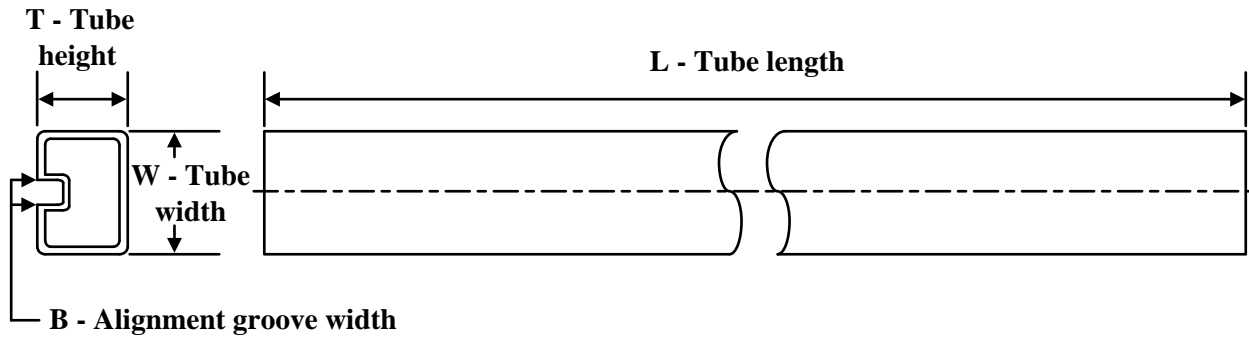
| Device            | Package Type | Package Drawing | Pins | SPQ  | Reel Diameter (mm) | Reel Width W1 (mm) | A0 (mm) | B0 (mm) | K0 (mm) | P1 (mm) | W (mm) | Pin1 Quadrant |
|-------------------|--------------|-----------------|------|------|--------------------|--------------------|---------|---------|---------|---------|--------|---------------|
| SN74AHCT16244DGGR | TSSOP        | DGG             | 48   | 2000 | 330.0              | 24.4               | 8.6     | 13.0    | 1.8     | 12.0    | 24.0   | Q1            |
| SN74AHCT16244DGVR | TVSOP        | DGV             | 48   | 2000 | 330.0              | 16.4               | 7.1     | 10.2    | 1.6     | 12.0    | 16.0   | Q1            |
| SN74AHCT16244DLR  | SSOP         | DL              | 48   | 1000 | 330.0              | 32.4               | 11.35   | 16.2    | 3.1     | 16.0    | 32.0   | Q1            |

**TAPE AND REEL BOX DIMENSIONS**


\*All dimensions are nominal

| Device            | Package Type | Package Drawing | Pins | SPQ  | Length (mm) | Width (mm) | Height (mm) |
|-------------------|--------------|-----------------|------|------|-------------|------------|-------------|
| SN74AHCT16244DGGR | TSSOP        | DGG             | 48   | 2000 | 367.0       | 367.0      | 45.0        |
| SN74AHCT16244DGVR | TVSOP        | DGV             | 48   | 2000 | 356.0       | 356.0      | 35.0        |
| SN74AHCT16244DLR  | SSOP         | DL              | 48   | 1000 | 367.0       | 367.0      | 55.0        |



**TUBE**


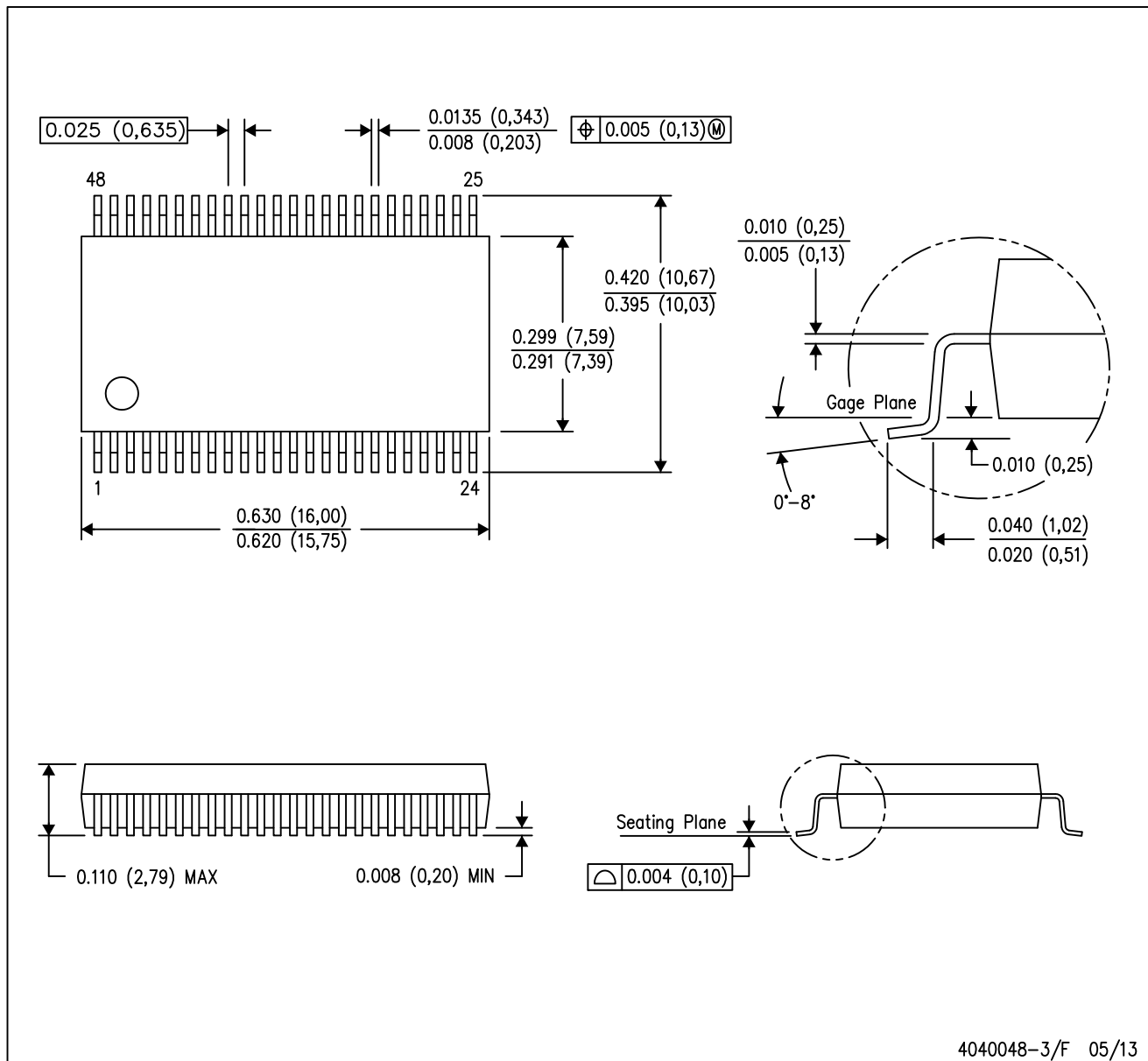
\*All dimensions are nominal

| Device          | Package Name | Package Type | Pins | SPQ | L (mm) | W (mm) | T (μm) | B (mm) |
|-----------------|--------------|--------------|------|-----|--------|--------|--------|--------|
| SN74AHCT16244DL | DL           | SSOP         | 48   | 25  | 473.7  | 14.24  | 5110   | 7.87   |

# MECHANICAL DATA

DL (R-PDSO-G48)

PLASTIC SMALL-OUTLINE PACKAGE



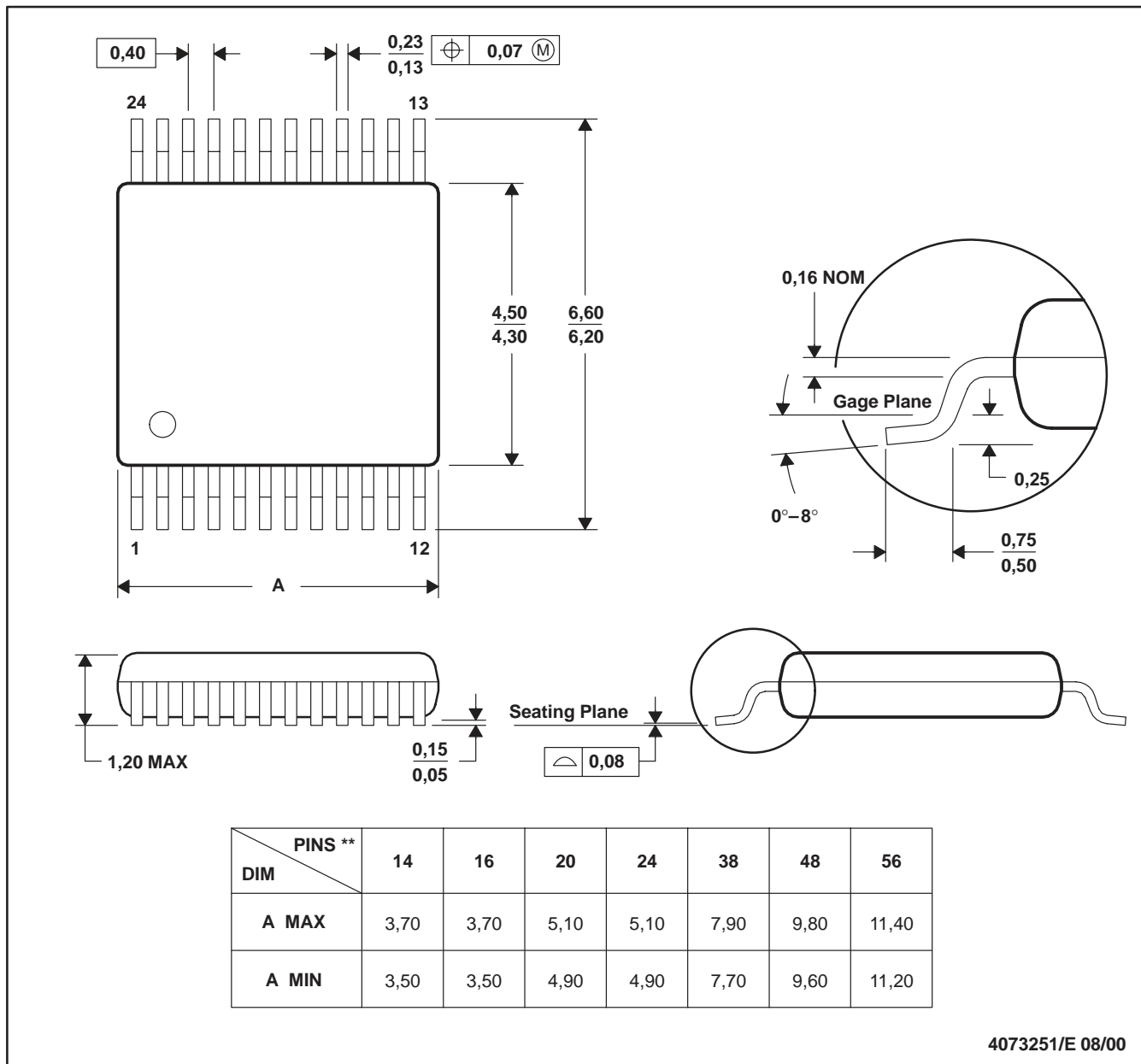
- NOTES:
- All linear dimensions are in inches (millimeters).
  - This drawing is subject to change without notice.
  - Body dimensions do not include mold flash or protrusion not to exceed 0.006 (0,15).
  - Falls within JEDEC MO-118

PowerPAD is a trademark of Texas Instruments.

DGV (R-PDSO-G\*\*)

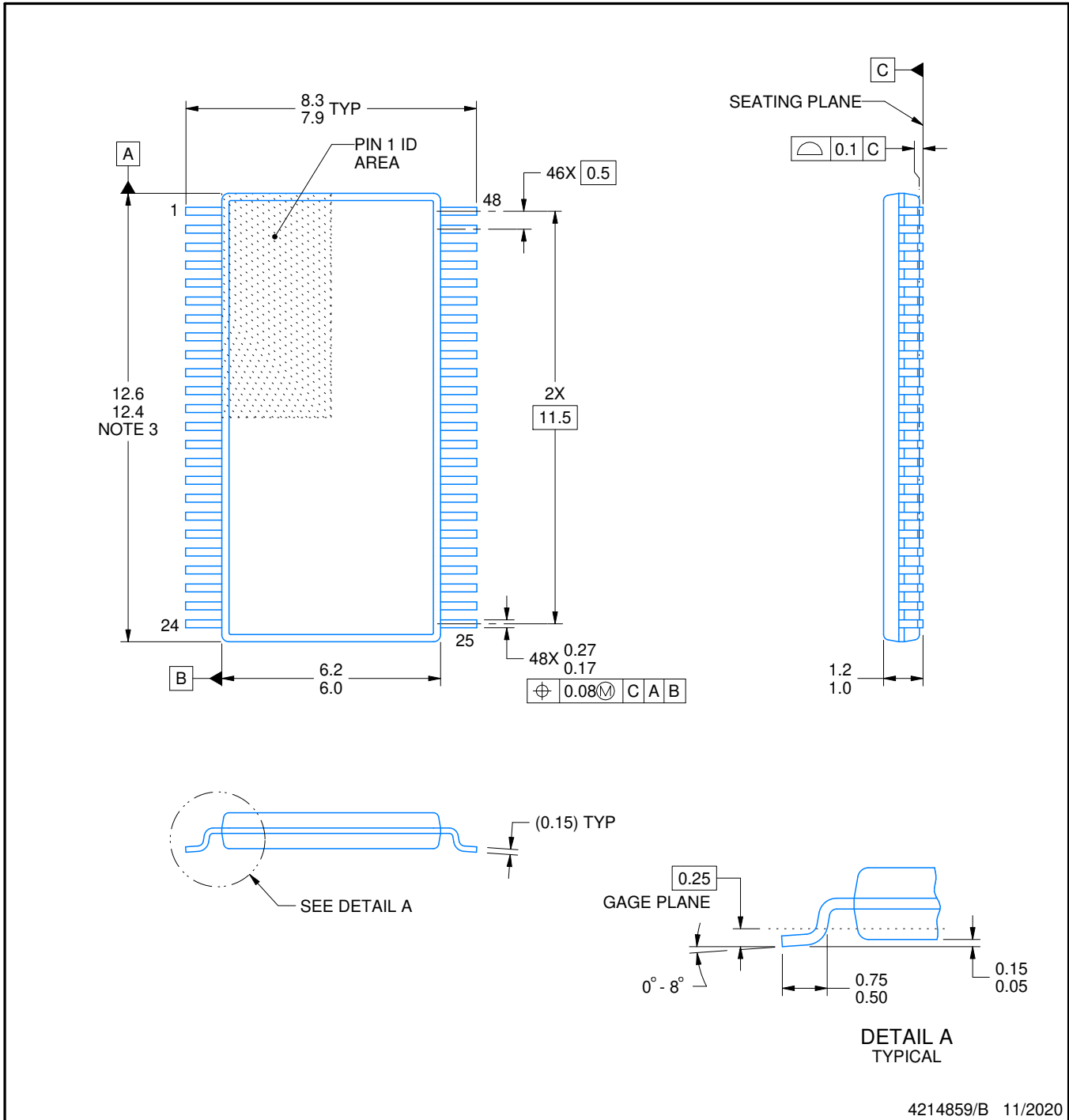
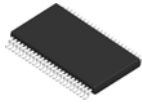
PLASTIC SMALL-OUTLINE

24 PINS SHOWN



4073251/E 08/00

- NOTES: A. All linear dimensions are in millimeters.  
 B. This drawing is subject to change without notice.  
 C. Body dimensions do not include mold flash or protrusion, not to exceed 0,15 per side.  
 D. Falls within JEDEC: 24/48 Pins – MO-153  
 14/16/20/56 Pins – MO-194



4214859/B 11/2020

NOTES:

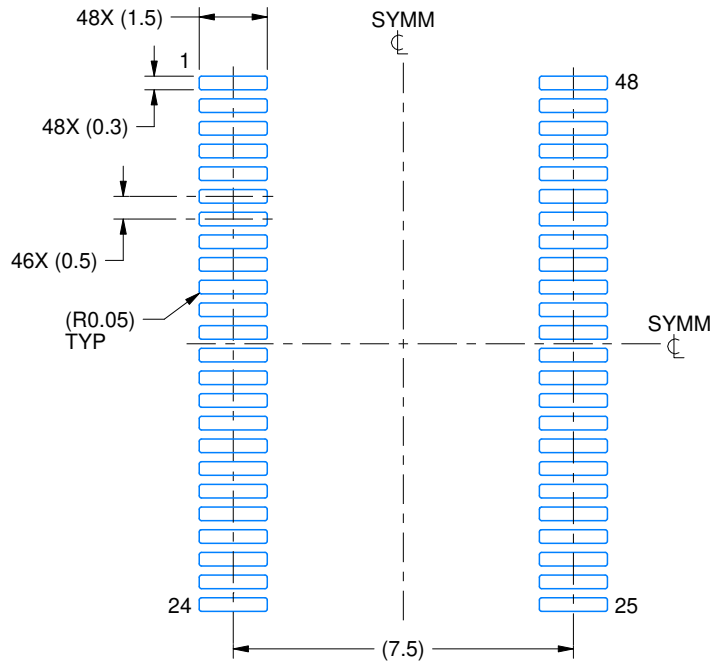
1. All linear dimensions are in millimeters. Any dimensions in parenthesis are for reference only. Dimensioning and tolerancing per ASME Y14.5M.
2. This drawing is subject to change without notice.
3. This dimension does not include mold flash, protrusions, or gate burrs. Mold flash, protrusions, or gate burrs shall not exceed 0.15 mm per side.
4. Reference JEDEC registration MO-153.

# EXAMPLE BOARD LAYOUT

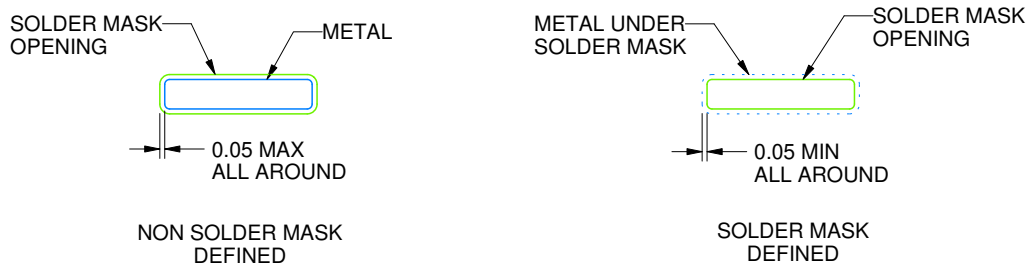
DGG0048A

TSSOP - 1.2 mm max height

SMALL OUTLINE PACKAGE



LAND PATTERN EXAMPLE  
SCALE:6X



SOLDER MASK DETAILS

4214859/B 11/2020

NOTES: (continued)

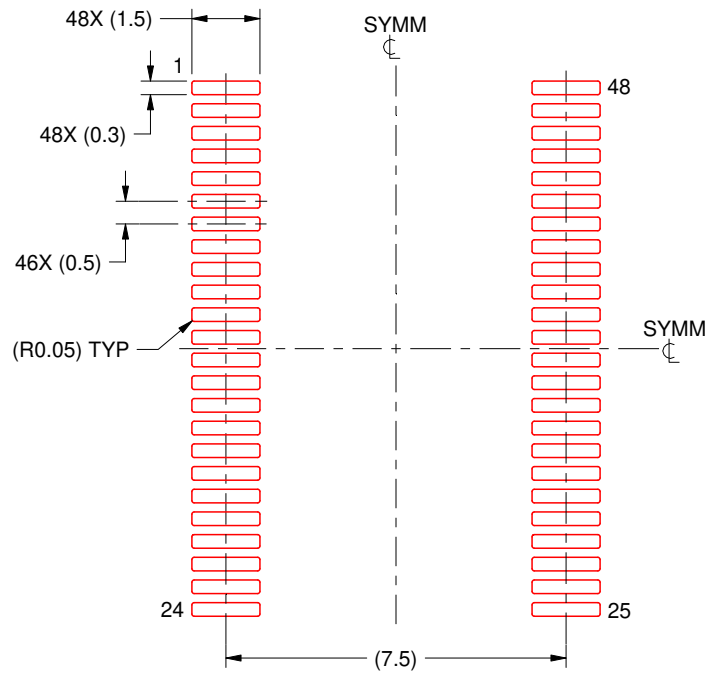
5. Publication IPC-7351 may have alternate designs.
6. Solder mask tolerances between and around signal pads can vary based on board fabrication site.

# EXAMPLE STENCIL DESIGN

DGG0048A

TSSOP - 1.2 mm max height

SMALL OUTLINE PACKAGE



SOLDER PASTE EXAMPLE  
BASED ON 0.125 mm THICK STENCIL  
SCALE:6X

4214859/B 11/2020

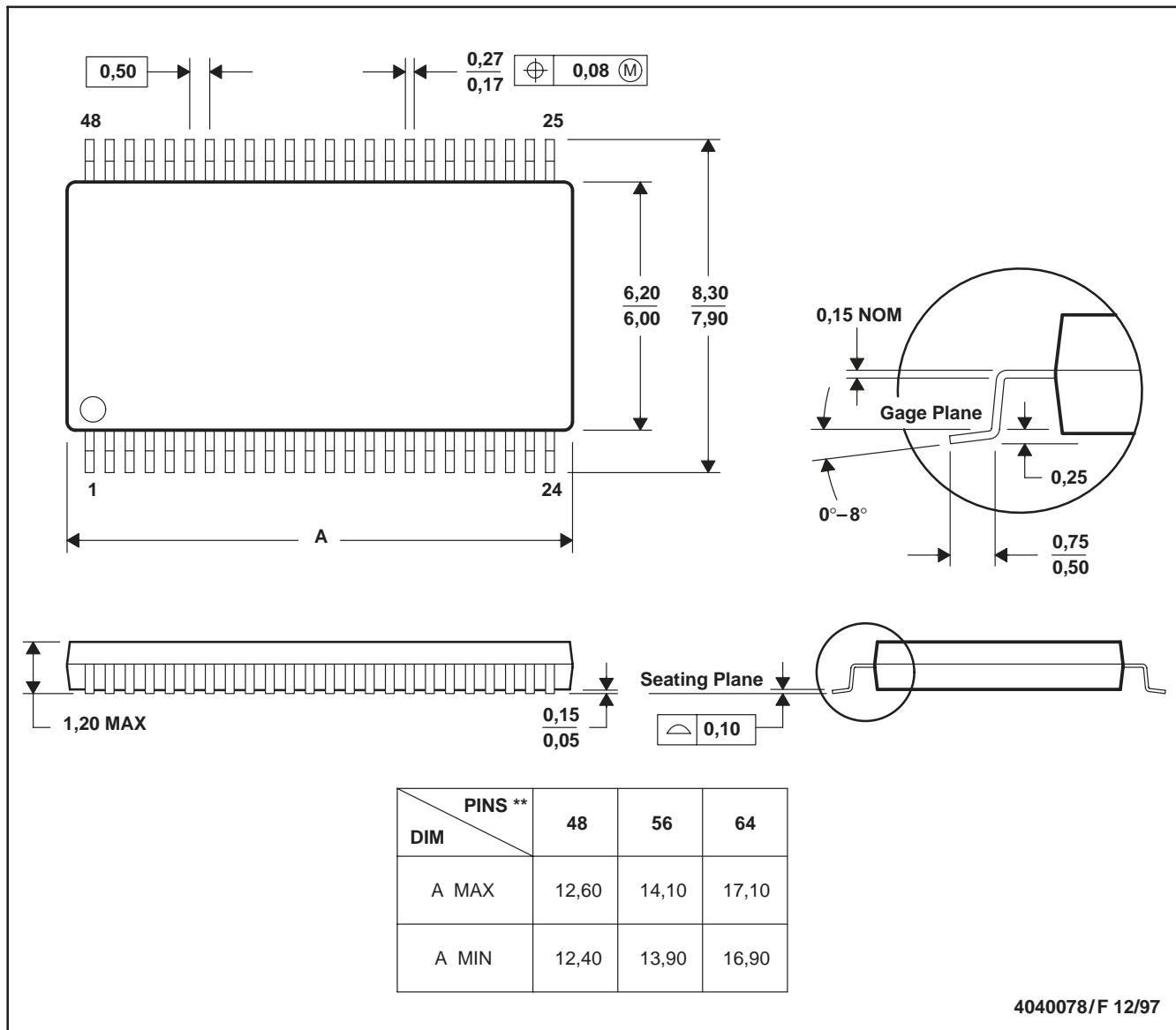
NOTES: (continued)

7. Laser cutting apertures with trapezoidal walls and rounded corners may offer better paste release. IPC-7525 may have alternate design recommendations.
8. Board assembly site may have different recommendations for stencil design.

DGG (R-PDSO-G\*\*)

PLASTIC SMALL-OUTLINE PACKAGE

48 PINS SHOWN



- NOTES: A. All linear dimensions are in millimeters.  
 B. This drawing is subject to change without notice.  
 C. Body dimensions do not include mold protrusion not to exceed 0,15.  
 D. Falls within JEDEC MO-153

## IMPORTANT NOTICE AND DISCLAIMER

TI PROVIDES TECHNICAL AND RELIABILITY DATA (INCLUDING DATA SHEETS), DESIGN RESOURCES (INCLUDING REFERENCE DESIGNS), APPLICATION OR OTHER DESIGN ADVICE, WEB TOOLS, SAFETY INFORMATION, AND OTHER RESOURCES "AS IS" AND WITH ALL FAULTS, AND DISCLAIMS ALL WARRANTIES, EXPRESS AND IMPLIED, INCLUDING WITHOUT LIMITATION ANY IMPLIED WARRANTIES OF MERCHANTABILITY, FITNESS FOR A PARTICULAR PURPOSE OR NON-INFRINGEMENT OF THIRD PARTY INTELLECTUAL PROPERTY RIGHTS.

These resources are intended for skilled developers designing with TI products. You are solely responsible for (1) selecting the appropriate TI products for your application, (2) designing, validating and testing your application, and (3) ensuring your application meets applicable standards, and any other safety, security, regulatory or other requirements.

These resources are subject to change without notice. TI grants you permission to use these resources only for development of an application that uses the TI products described in the resource. Other reproduction and display of these resources is prohibited. No license is granted to any other TI intellectual property right or to any third party intellectual property right. TI disclaims responsibility for, and you will fully indemnify TI and its representatives against, any claims, damages, costs, losses, and liabilities arising out of your use of these resources.

TI's products are provided subject to [TI's Terms of Sale](#) or other applicable terms available either on [ti.com](https://www.ti.com) or provided in conjunction with such TI products. TI's provision of these resources does not expand or otherwise alter TI's applicable warranties or warranty disclaimers for TI products.

TI objects to and rejects any additional or different terms you may have proposed.

Mailing Address: Texas Instruments, Post Office Box 655303, Dallas, Texas 75265  
Copyright © 2023, Texas Instruments Incorporated