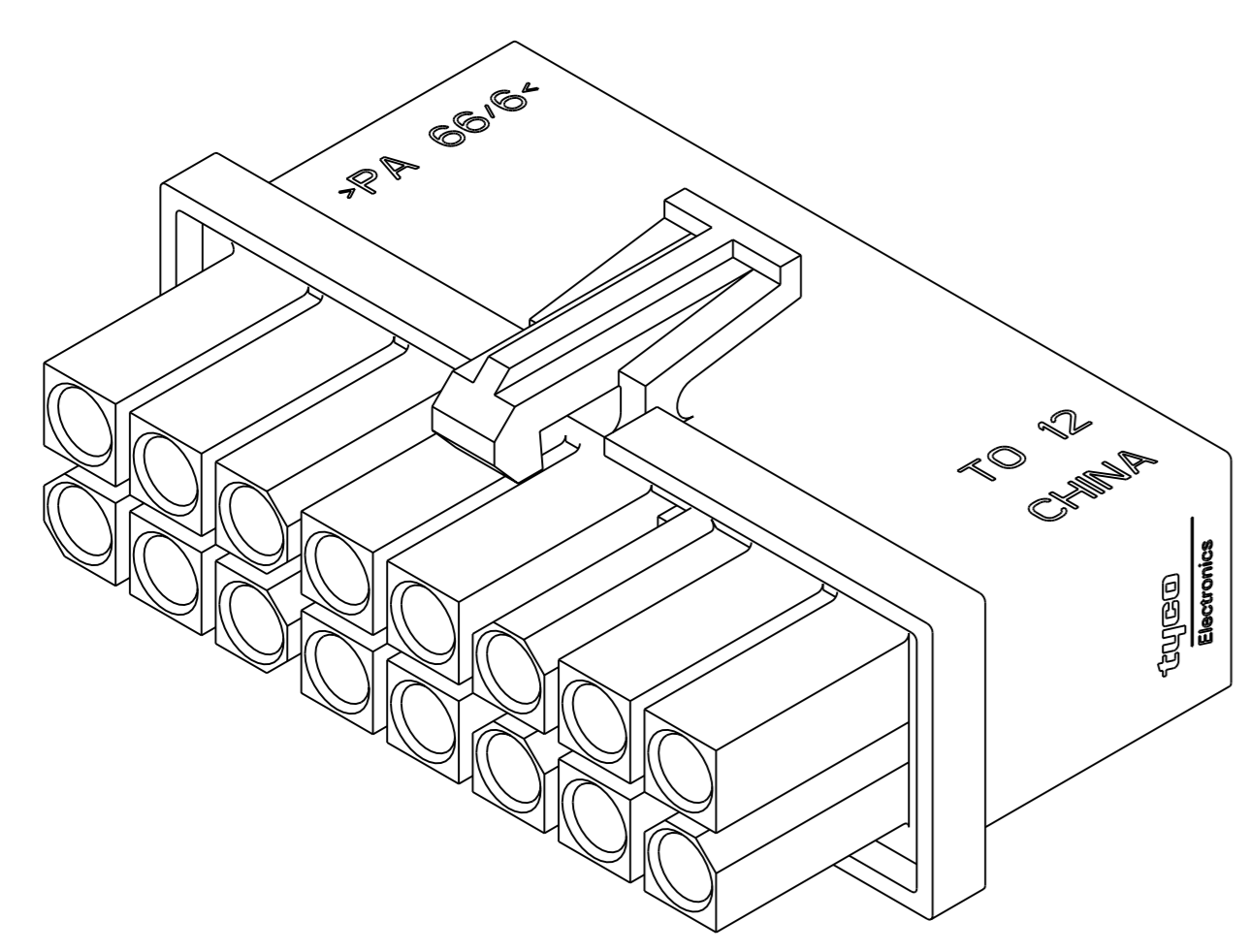
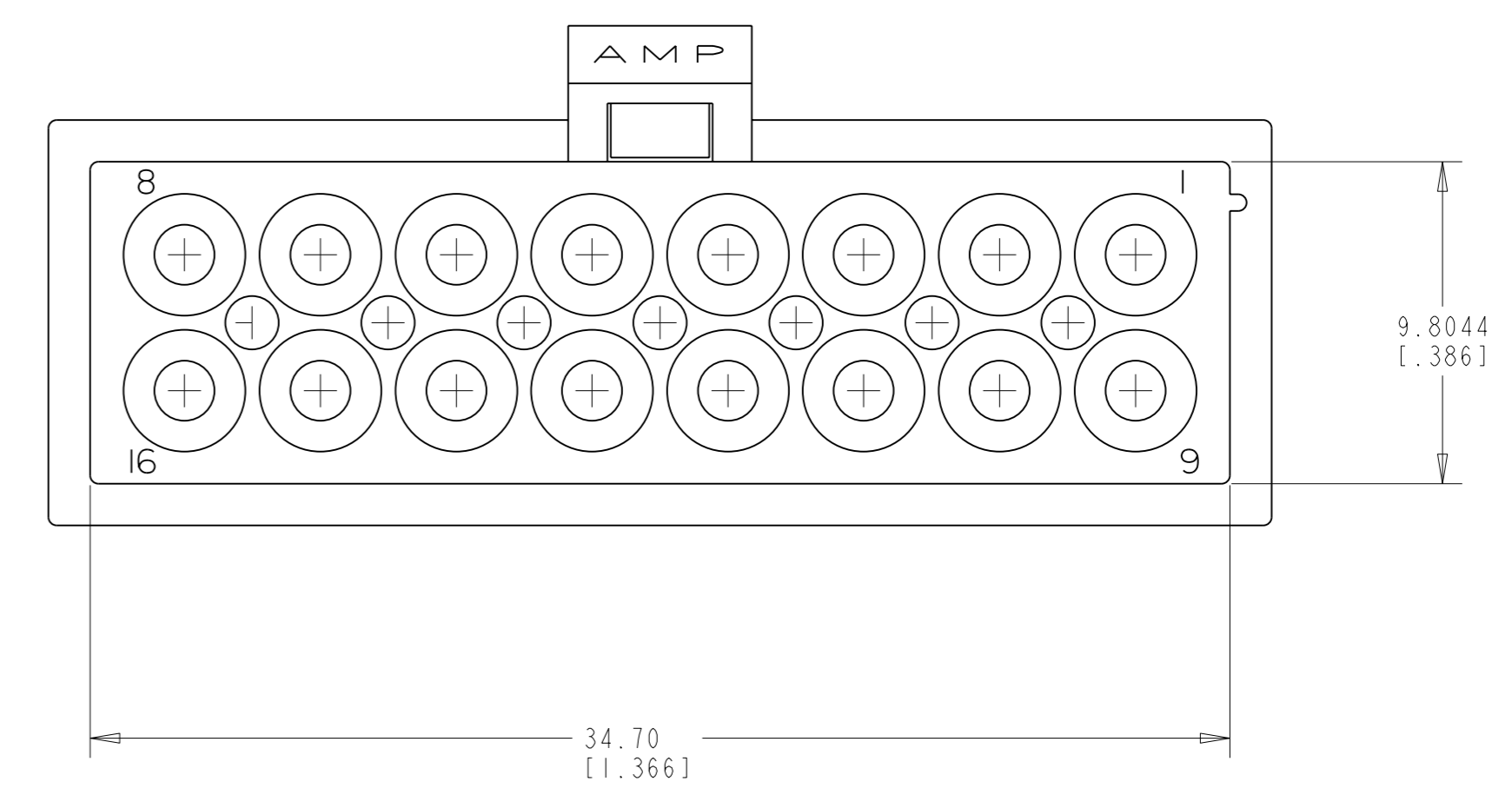
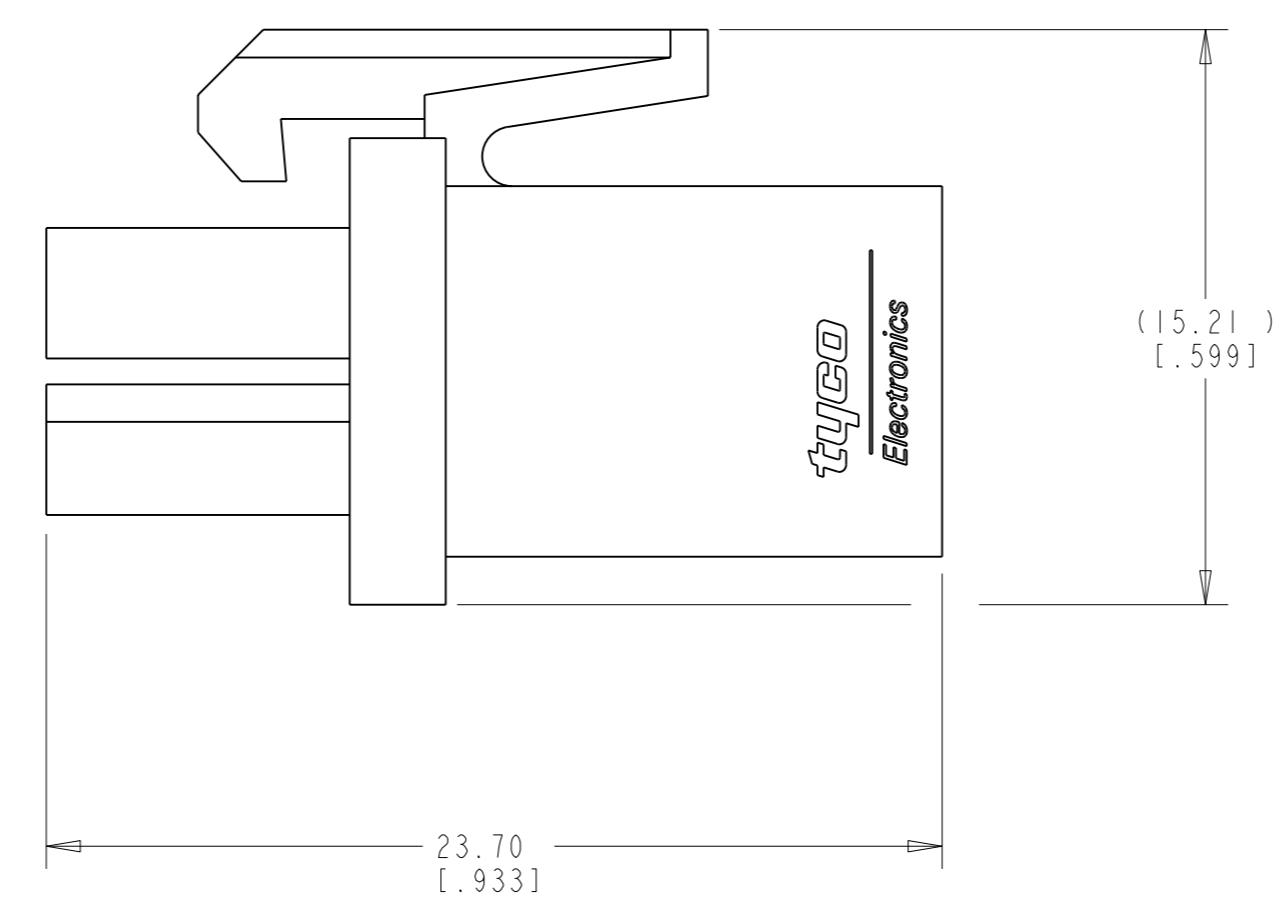
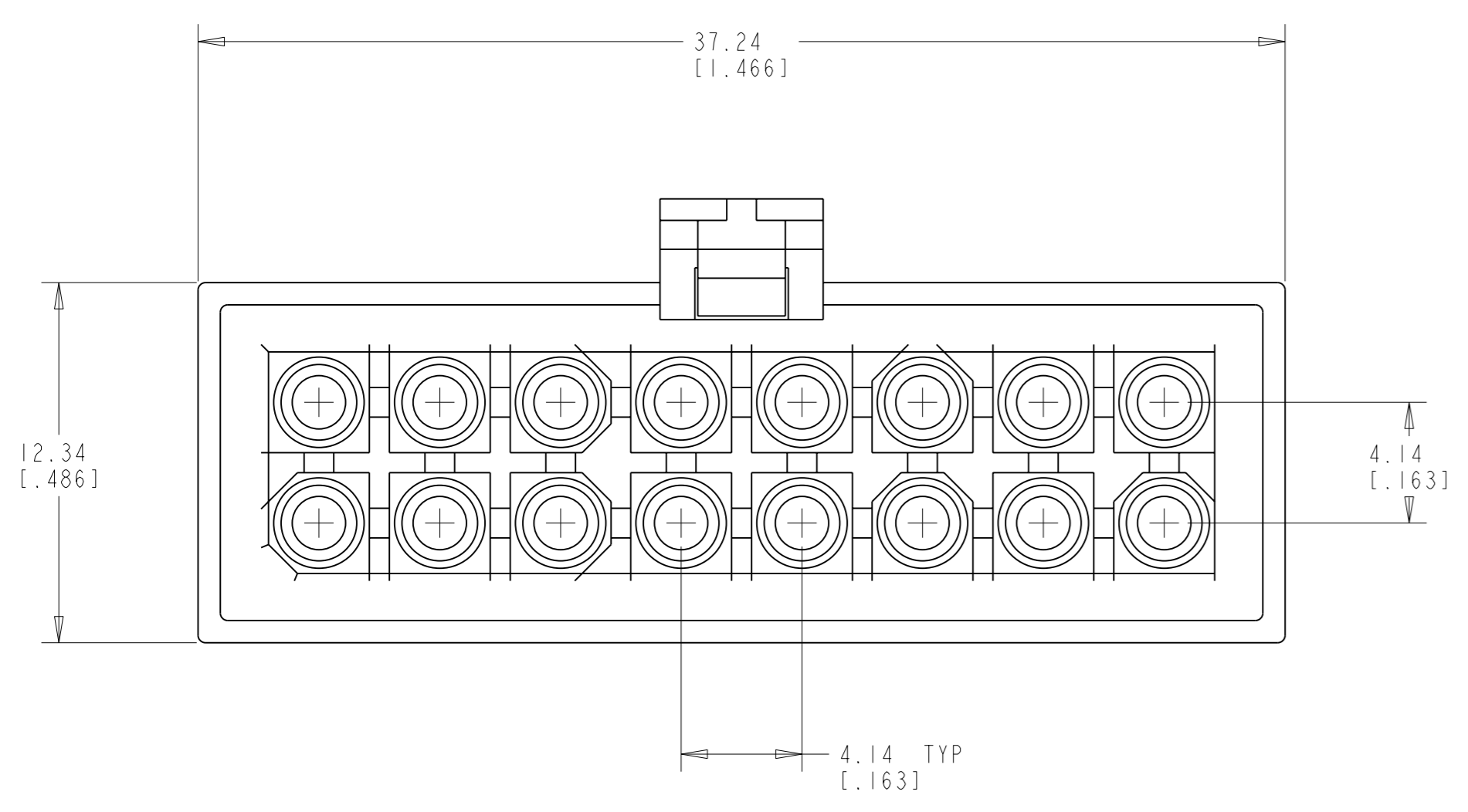


LOC	DIST	REVISIONS			
F	LYR	DESCRIPTION	DATE	DWN	APVD
2		REVISED PER 0G3B-0820-03	21-OCT-03	KW	CJ
3		REVISED PER 0G3B-0015-05	04FEB05	KW	CJ
A		REVISED PER ECO-06-006276	17MAR06	KW	CJ

1. DIMENSIONS IN BRACKETS ARE IN INCHES.



3 DIMENSIONAL MODEL  
 SCALE 4:1

METRIC

794824-1  
 PART NUMBER

<small>THIS DRAWING IS A CONTROLLED DOCUMENT FOR PROTECTIVE INFORMATION. IT IS THE PROPERTY OF TYCO ELECTRONICS CORPORATION AND IS NOT TO BE REPRODUCED OR TRANSMITTED IN ANY FORM OR BY ANY MEANS, ELECTRONIC OR MECHANICAL, INCLUDING PHOTOCOPYING, RECORDING, OR BY ANY INFORMATION STORAGE AND RETRIEVAL SYSTEM, WITHOUT PERMISSION IN WRITING FROM TYCO ELECTRONICS CORPORATION.</small>		DWN K. WHITAKER	10AUG2000	Tyco Electronics Harrisburg, PA 17105-3608
DIMENSIONS: mm [INCHES]		CHK K. COBLE	10AUG2000	
TOLERANCES UNLESS OTHERWISE SPECIFIED: 0 PLC ± 1 PLC ± 2 PLC ±0.13(.005) 3 PLC ± 4 PLC ± ANGLES 40° 30'		APVD K. COBLE	10AUG2000	NAME PLUG, 16 CIRCUIT, MINI-UNIVERSAL MATE-N-LOK(TM)
MATERIAL NYLON UL 94V-0, WHITE		APPLICATION SPEC PRODUCT SPEC		RESTRICTED TO
FINISH -		WEIGHT 0.249		SCALE 5:1
CUSTOMER DRAWING		SIZE CAGE CODE DRAWING NO A   00779 ©=794824		SHEET 1 OF 1