



Contactor, 45DP,40A,2P,Open,120 Contactor, 45DP,40A,2P,Open,120

product brand name	Class 45 DP Contactors
design of the product	Non-reversing Definite Purpose Contactor
special product feature	Enclosed body and coil with standard cover
<b>General technical data</b>	
weight [lb]	0.62 lb
Height x Width x Depth [in]	3.19 × 1.97 × 2.46 in
touch protection against electrical shock	Not finger-safe
ambient temperature [°F]	
• during storage	158 °F
• during operation	158 ... 158 °F
ambient temperature	
• during storage	75 °C
• during operation	70 ... 70 °C
country of origin	China
number of poles for main current circuit	2
<b>Contactors</b>	
size of contactor	40A
number of NO contacts for main contacts	2
operating voltage for main current circuit at AC at 60 Hz maximum	600 V
operational current at AC at 600 V rated value	160 A
mechanical service life (operating cycles) of the main contacts typical	250000
<b>Auxiliary contact</b>	
number of NC contacts for auxiliary contacts	0
number of NO contacts for auxiliary contacts	0
number of NC contacts at contactor for auxiliary contacts	0
number of NO contacts at contactor for auxiliary contacts	0
number of total auxiliary contacts maximum	0
<b>Coil</b>	
control supply voltage	
• at AC at 50 Hz rated value	110 V
• at AC at 60 Hz rated value	110 ... 120 V
<b>Enclosure</b>	
degree of protection NEMA rating of the enclosure	Open device (no enclosure)
<b>Mounting/wiring</b>	
mounting position	vertical
fastening method	Surface mounting and installation
type of electrical connection for supply voltage line-side	Box lug
tightening torque [lbf-in] for supply	25 ... 25 lbf-in

type of connectable conductor cross-sections at line-side for AWG cables single or multi-stranded	4 AWG
type of electrical connection for load-side outgoing feeder	Box lug
type of connectable conductor cross-sections for AWG cables for load-side outgoing feeder single or multi-stranded	4 AWG
type of electrical connection of magnet coil	Quick connects
type of electrical connection at contactor for auxiliary contacts	Screw-type terminals

**Certificates/ approvals**

certificate of suitability	cRUus, ARI 780 & 790, UL File E14900
----------------------------	--------------------------------------

**Further information**

Industrial Controls - Product Overview (Catalogs, Brochures,...)

[www.usa.siemens.com/iccatalog](http://www.usa.siemens.com/iccatalog)

Industry Mall (Online ordering system)

<https://mall.industry.siemens.com/mall/en/us/Catalog/product?mlfb=US2:45GG20AF>

Service&Support (Manuals, Certificates, Characteristics, FAQs,...)

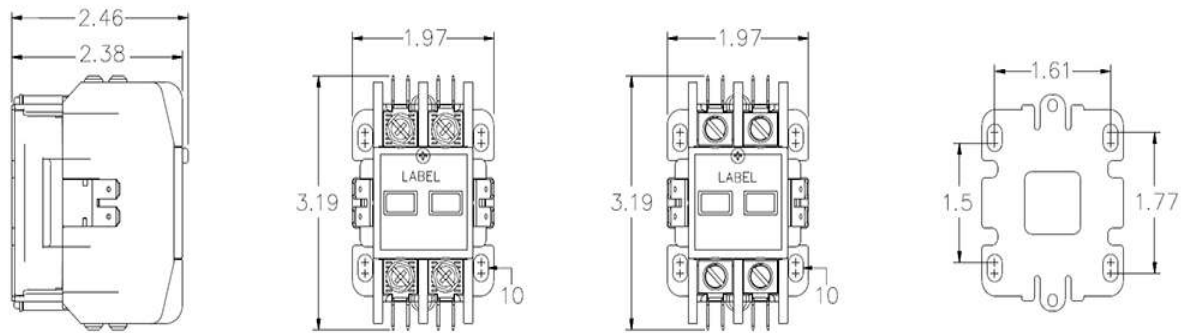
<https://support.industry.siemens.com/cs/US/en/ps/US2:45GG20AF>

Image database (product images, 2D dimension drawings, 3D models, device circuit diagrams, EPLAN macros, ...)

[http://www.automation.siemens.com/bilddb/cax\\_de.aspx?mlfb=US2:45GG20AF&lang=en](http://www.automation.siemens.com/bilddb/cax_de.aspx?mlfb=US2:45GG20AF&lang=en)

Certificates/approvals

<https://support.industry.siemens.com/cs/US/en/ps/US2:45GG20AF/certificate>



last modified:

5/25/2021