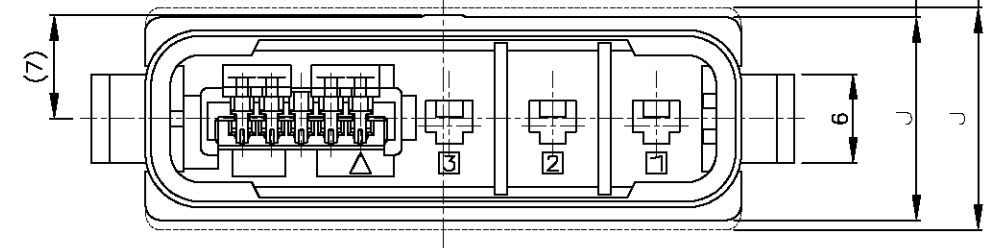
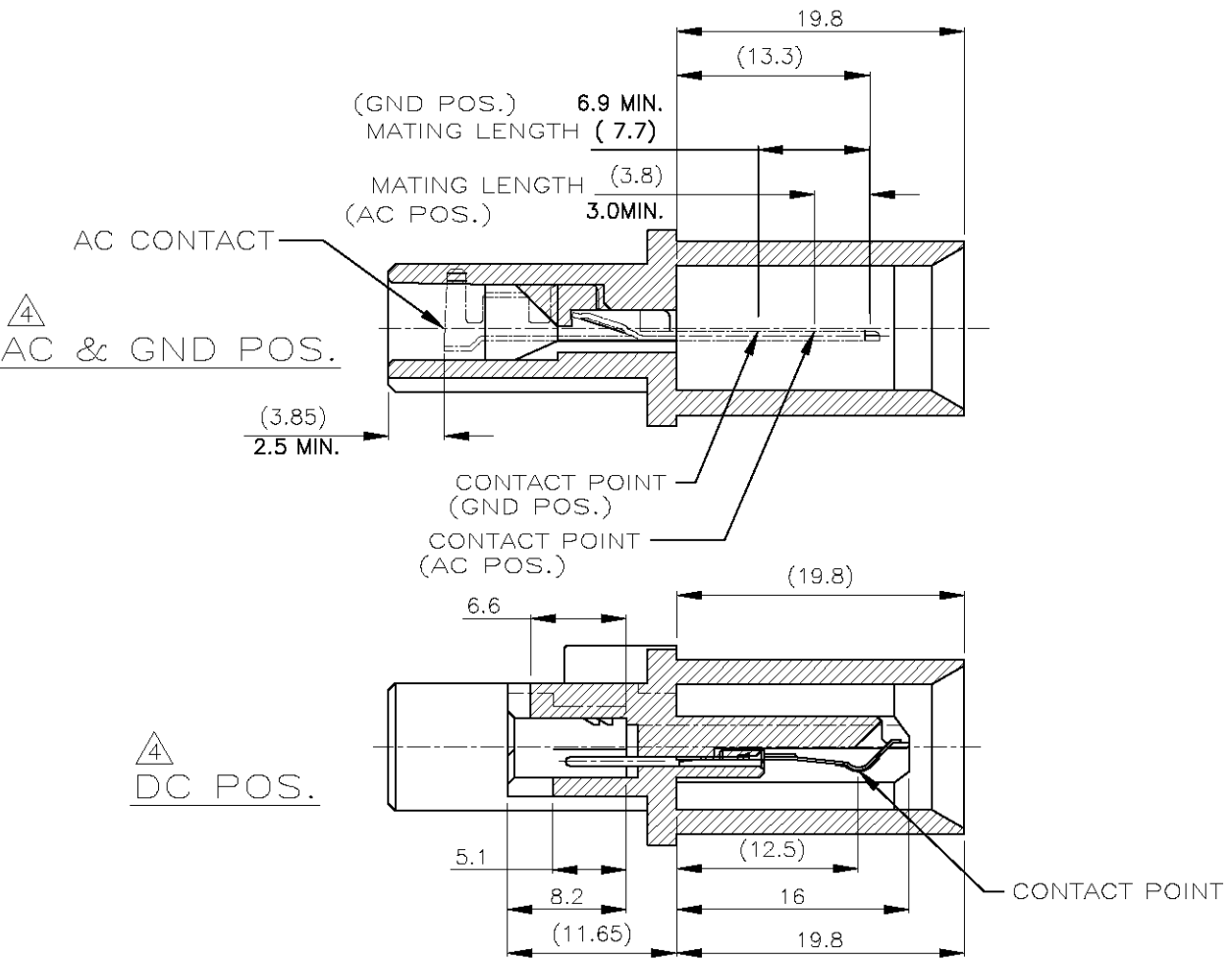
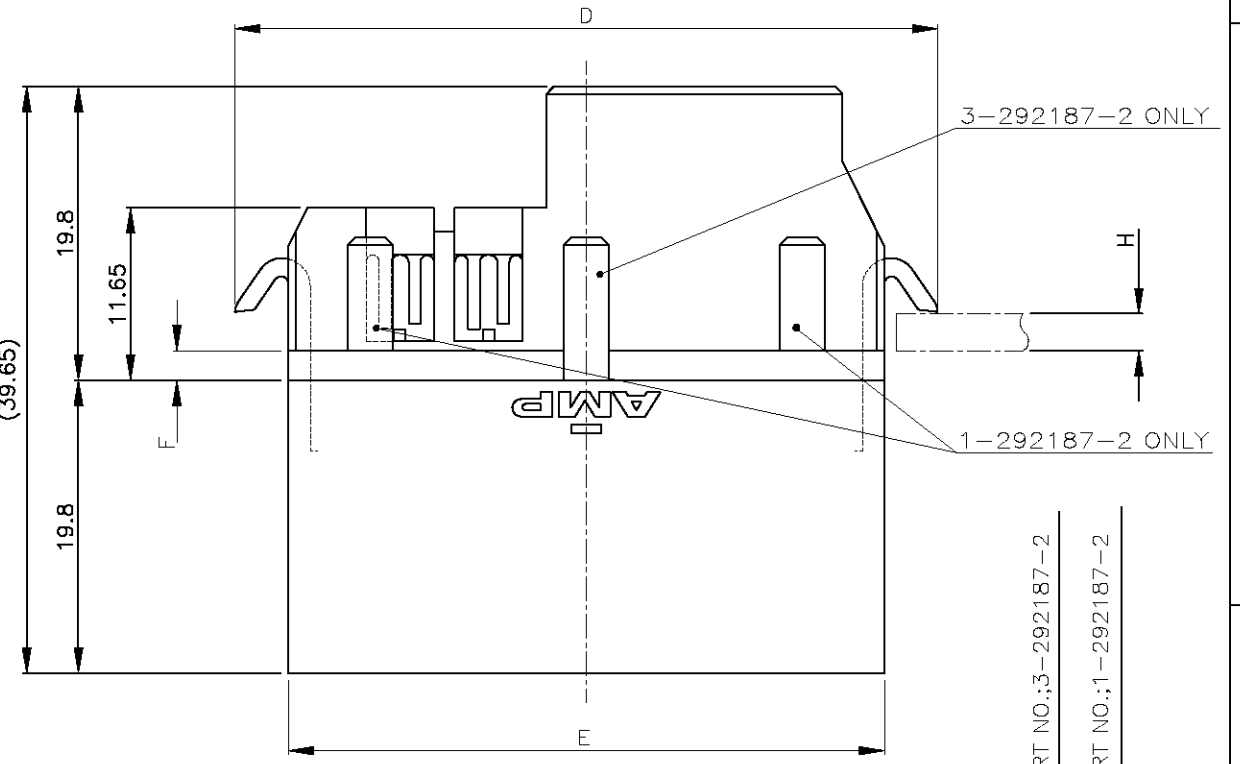
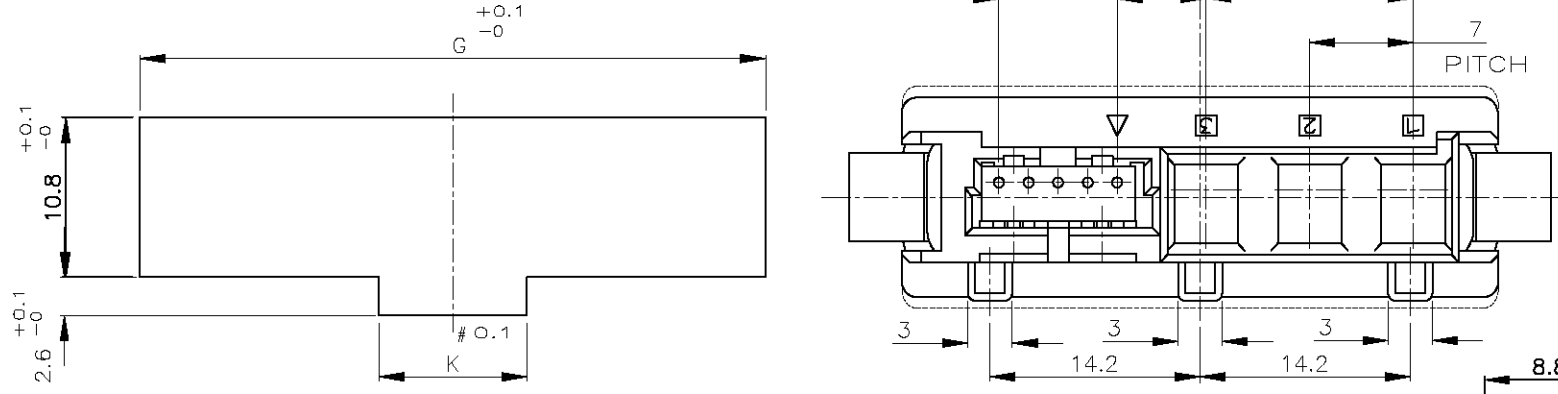


THIS DRAWING IS UNPUBLISHED. RELEASED FOR PUBLICATION  
 © COPYRIGHT BY TYCO ELECTRONICS CORPORATION. ALL RIGHTS RESERVED.

| LOC |     | DIST        |         | REVISIONS    |         |     |      |  |
|-----|-----|-------------|---------|--------------|---------|-----|------|--|
| P   | LTR | DESCRIPTION |         |              | DATE    | DWN | APVD |  |
| ES  | 00  | A           | REVISED | FB00-0217-04 | 16DEC04 | H.H | I.E  |  |

PANEL CUT DIMENSIONS



NOTES  
 1. MATERIAL  
 HOUSING:THERMO PLASTIC (BLACK)  
 CONTACT:COPPER ALLOY  
 2. CONTACT FINISH  
 MATING SIDE:NICKEL PL.ALL OVER GOLD PL.  
 CT MATING SIDE:NICKEL PL.ALL OVER MATTE TIN PL.  
 3. APPLIED AC CONTACT P/N

| FINISH  | AWG    | P/N        |
|---------|--------|------------|
| TIN PL. | #16~20 | 1-179321-2 |
| Au PL.  | #16~20 | 179321-3   |

△ AC: POWER CONTACT (UNLOADED)  
 DC: SIGNAL CONTACT (PRELOADED)

| MT TYPE:173977-5<br>CLIMPII TYPE:179228-5 | 4-292190-2         | 2.5 #0.1                  | 10 | 13.5   | 49.3 | 2   | 47.3 | 54.5 | 17.9 | 8 | 21 | 4 | 3 | DC5 AC4 | 3-292187-2 |
|---|--------------------|---------------------------|----|--------|------|-----|------|------|------|---|----|---|---|---------|------------|
| MT TYPE:173977-5<br>CLIMPII TYPE:179228-5 | 2-292190-2         | 1.2 #0.08                 | 34 | 15 MAX | 42.3 | 3.3 | 40.3 | 47.5 | 14.4 | 8 | 14 | 4 | 2 | DC5 AC3 | 1-292187-2 |
| APPLIED CT CONN P/N                       | MATING COUNTER P/N | APPLIED PANEL THICKNESS H | K  | J      | G    | F   | E    | D    | C    | B | A  | n | N | POS     | PART NO.   |

THIS DRAWING IS A CONTROLLED DOCUMENT.

|                             |  |
|-----------------------------|--|
| DWN<br>J.JIANG<br>05FEB03   | <br>Tyco Electronics Corporation<br>Shanghai, P.R.China,200233 |
| CHK<br>S.YAO<br>05FEB03     |  |
| APVD<br>T.SASAKI<br>05FEB03 |  |
| PRODUCT SPEC<br>108-60023   | NAME<br>HYBRID SF DRAWER CONN.<br>PLUG                         |
| APPLICATION SPEC            | SIZE<br>A3   |
| WEIGHT                      | CAGE CODE<br>00779   |
| CUSTOMER DRAWING            | DRAWING NO<br>C-292187   |
| SCALE<br>2:1                | SHEET<br>1 OF 1  |
| REV<br>A                    | RESTRICTED TO<br>-   |