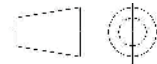
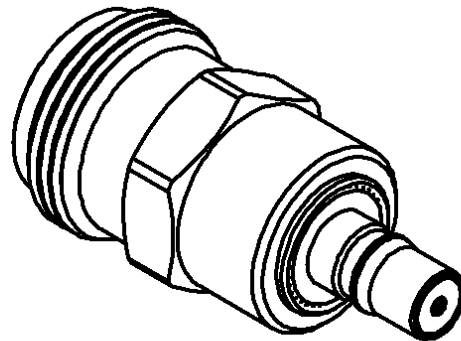
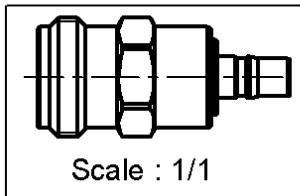
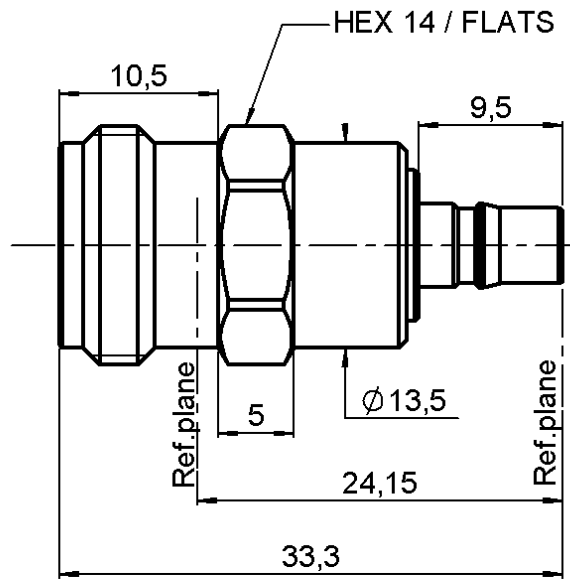


**N FEMALE - QMA FEMALE STRAIGHT ADAPTER**

**R191.764.000**

Série : ADAPT



All dimensions are in mm.

COMPONENTS	MATERIALS	PLATINGS (µm)
BODY	BRASS	BBR 2
CENTER CONTACT	BERYLLIUM COPPER	GOLD 1.3 OVER COPPER 2.5
OUTER CONTACT		
INSULATOR	PTFE	
GASKET		
OTHERS PARTS		
-	-	-
-	-	-

Issue : 0501 A

In the effort to improve our products, we reserve the rights to make changes judged to be necessary.



**N FEMALE - QMA FEMALE STRAIGHT ADAPTER**

**R191.764.000**

Série : ADAPT

**PACKAGING**

Standard	Unit	Other
<b>1</b>	-	<b>Contact us</b>

**SPECIFICATION**

**ELECTRICAL CHARACTERISTICS**

Impedance		<b>50</b> Ω
Frequency		<b>0-6</b> GHz
VSWR	<b>1.3</b> +	<b>0.000</b> x F(GHz) Maxi
Insertion loss		<b>0.06</b> √F(GHz) dB Maxi
RF leakage	- (	<b>*80</b> - F(GHz)) dB Maxi
Voltage rating		<b>500</b> Veff Maxi
Dielectric withstanding voltage		<b>1000</b> Veff mini
Insulation resistance		<b>5000</b> MΩ mini

**ENVIRONMENTAL**

Operating	<b>-40/+80</b> °C
Hermetic seal	<b>NA</b> Atm.cm3/s
Panel leakage	<b>NA</b>

**MECHANICAL CHARACTERISTICS**

Center contact retention		
Axial force – Mating end		<b>27</b> N mini
Axial force – Opposite end		<b>27</b> N mini
Torque		<b>NA</b> N.cm mini

Recommended torque

Mating	<b>N</b>	<b>0</b> N.cm
	<b>QMA</b>	<b>0</b> N.cm
		<b>0</b> N.cm
Panel nut		N.cm

Mating life	<b>100</b> Cycles mini
Weight	<b>23.815</b> g

**OTHERS CHARACTERISTICS**

\*RF leakage Interf. only: 3<F<6GHz=>70dB  
<-120dBc at 1.8GHz ( 2 x 20W )

Issue : 0501 A

In the effort to improve our products, we reserve the rights to make changes judged to be necessary.

