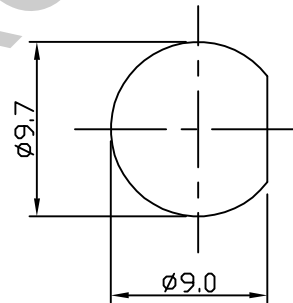
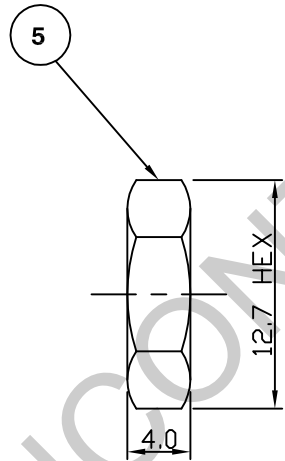
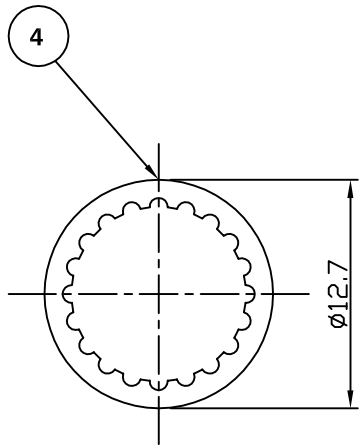
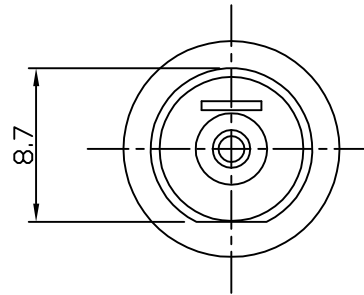
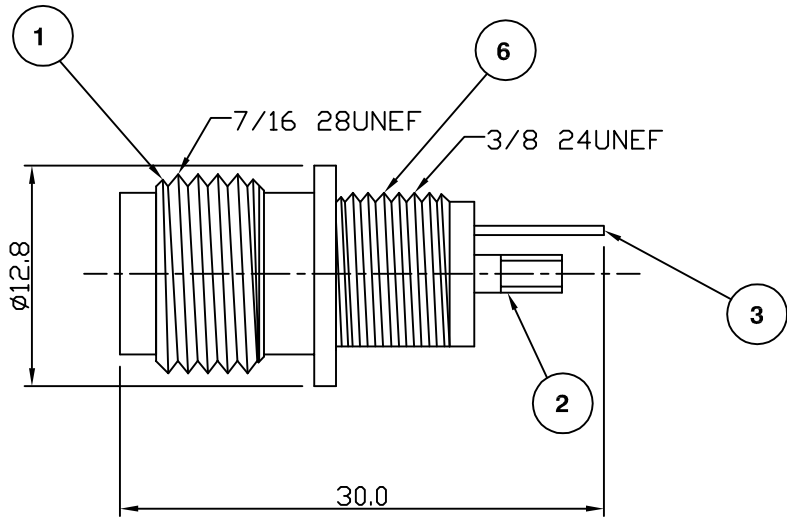


RoHS COMPLIANT



Panel Cut Out

Electrical Characteristics

Nominal Impedance:	50 ohms
Frequency Range:	DC to 11 GHz
Operating Voltage (rms):	500 V maximum at sea level
Dielectric Withstand Voltage (rms):	1500 V maximum at sea level
Contact Resistance:	1.5 milliohms maximum
Insulation Resistance:	5000 megohms minimum

Mechanical Characteristics

Mating Cycles:	500 cycles minimum
Interface Dimensions:	Conform to MIL-C-39012

Environmental Characteristics

Temperature Range:	-55 °C to +85 °C
--------------------	------------------

PART	DESCRIPTION	
1	Body	Brass, nickel plated
2	Contact	Brass, gold plated
3	Screen terminal	Brass, tin plated
4	Washer	Brass, nickel plated
5	Nut	Brass, nickel plated
6	Insulation	ABS

Part 6 added	SN	3	24 Oct 02
CAD Issue	SN	2	21 May 02
First Issue	JY	1	29 Mar 95
DESCRIPTION OF REVISION	APPVD	ISS	DATE



Cinch Connectivity Solutions
7-13 Russel Way,
Widford Industrial Estate,
Chelmsford,
Essex, CM1 3AA, UK
Tel: +44 (0) 1245 359515
Fax: +44 (0) 1245 358938

SCALE: Not To Scale

DIMENSIONS: mm

TOLERANCES:
± 0.2mm unless
otherwise stated

DRAWN BY:

S Nash

CHECKED BY:

P Couzens

APPROVED BY:

P Couzens

DATE:

24 Oct 02

TITLE:

Isolated TNC Panel Mount
Jack

PART NUMBER:

VTI1094A

PAGE: 1 of 1