

1393450-3 ✓ ACTIVE

TE Internal #: 1393450-3

Housing for Female Terminals, Wire-to-Wire / Wire-to-Board, 52  
Position, .169 in / .255 in [4.3 mm / 6.5 mm] Centerline, Sealable,  
Black, Wire & Cable

[View on TE.com >](#)



Connectors > Automotive Connectors > Automotive Housings



Connector & Housing Type: **Housing for Female Terminals**

Mating Tab Width: **1.5 mm, 2.8 mm** [ .06 in, .11 in ]

Connector System: **Wire-to-Board, Wire-to-Wire**

Number of Positions: **52**

Centerline (Pitch): **4.3 mm, 6.5 mm** [ .169 in, .255 in ]

## Features

### Product Type Features

Connector Shape	Rectangular
Connector & Housing Type	Housing for Female Terminals
Connector System	Wire-to-Board, Wire-to-Wire
Sealable	Yes
Hybrid Connector	Yes
Primary Locking Feature	On the Terminal
Connector & Contact Terminates To	Wire & Cable

### Configuration Features

Number of Positions	52
Number of Rows	4

### Electrical Characteristics

Operating Voltage	12 VDC
Nominal Voltage Architecture	12 V, 24 V

### Body Features

Cable Exit Angle	90°
Primary Product Color	Black
Connector & Keying Code	A

### Contact Features

--	--



Contact Size	1.5mm, 2.8mm
Contact Type	Receptacle
Mating Tab Width	1.5 mm, 2.8 mm [.06 in] [.11 in]
Contact Current Rating (Max)	10 A, 30 A

### Mechanical Attachment

Terminal Position Assurance	Yes
Strain Relief	With
Mating Alignment Type	Keyed
Mating Alignment	With
Connector Mounting Type	Cable Mount (Free-Hanging)

### Housing Features

Housing Material	PBT GF
Centerline (Pitch)	4.3 mm, 6.5 mm [.169 in] [.255 in]

### Dimensions

Connector Height	33.5 mm [1.319 in]
Product Width	45 mm [1.772 in]
Product Length	52 mm [2.047 in]
Row-to-Row Spacing	5.5 mm [.217 in]

### Usage Conditions

Operating Temperature (Max)	130 °C [266 °F]
Operating Temperature Range	-40 – 130 °C [-40 – 266 °F]

### Operation/Application

Circuit Application	Power & Signal
---------------------	----------------

### Industry Standards

UL Flammability Rating	UL 94HB
------------------------	---------

### Packaging Features

Packaging Method	Box
------------------	-----

### Other

Serviceable	Yes
Connector Position Assurance Capable	No

### Product Compliance

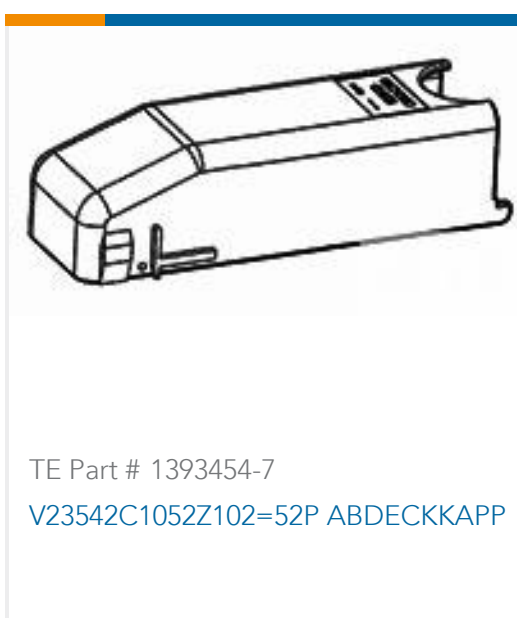
[For compliance documentation, visit the product page on TE.com>](#)

EU RoHS Directive 2011/65/EU	Compliant
EU ELV Directive 2000/53/EC	Compliant
China RoHS 2 Directive MIIT Order No 32, 2016	No Restricted Materials Above Threshold
EU REACH Regulation (EC) No. 1907/2006	Current ECHA Candidate List: JUNE 2023 (235) Candidate List Declared Against: JUNE 2022 (224) Does not contain REACH SVHC
Halogen Content	Low Halogen - Br, Cl, F, I < 900 ppm per homogenous material. Also BFR/CFR/PVC Free
Solder Process Capability	Not applicable for solder process capability

#### Product Compliance Disclaimer

This information is provided based on reasonable inquiry of our suppliers and represents our current actual knowledge based on the information they provided. This information is subject to change. The part numbers that TE has identified as EU RoHS compliant have a maximum concentration of 0.1% by weight in homogenous materials for lead, hexavalent chromium, mercury, PBB, PBDE, DBP, BBP, DEHP, DIBP, and 0.01% for cadmium, or qualify for an exemption to these limits as defined in the Annexes of Directive 2011/65/EU (RoHS2). Finished electrical and electronic equipment products will be CE marked as required by Directive 2011/65/EU. Components may not be CE marked. Additionally, the part numbers that TE has identified as EU ELV compliant have a maximum concentration of 0.1% by weight in homogenous materials for lead, hexavalent chromium, and mercury, and 0.01% for cadmium, or qualify for an exemption to these limits as defined in the Annexes of Directive 2000/53/EC (ELV). Regarding the REACH Regulation, the information TE provides on SVHC in articles for this part number is based on the latest European Chemicals Agency (ECHA) 'Guidance on requirements for substances in articles' posted at this URL: <https://echa.europa.eu/guidance-documents/guidance-on-reach>

## Compatible Parts



## Customers Also Bought



TE Part #4-1418483-1  
2POS,AMP MCP2.8,REC. HSG



TE Part #170265-2  
PL 250 REC 12-10 AWG 0.406 X 42.3



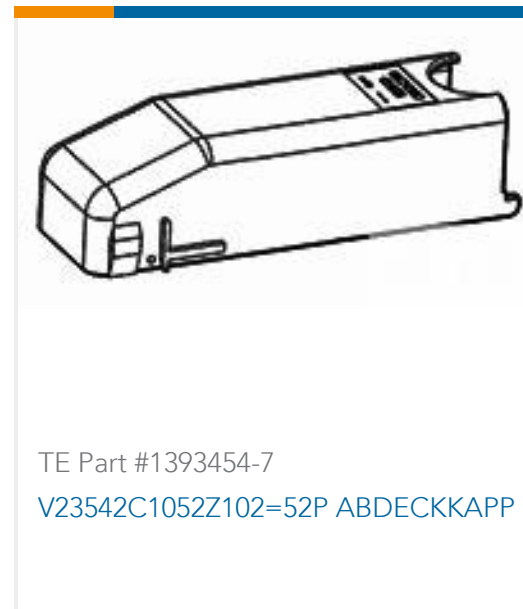
TE Part #3-1534904-4  
CONNECTOR HSG 94 POS.



TE Part #1393436-2  
V23542C1028B102=28P KABELBAUMS



TE Part #1393454-2  
V23542C1028Z102=28P ABDECKKAPP



TE Part #1393454-7  
V23542C1052Z102=52P ABDECKKAPP



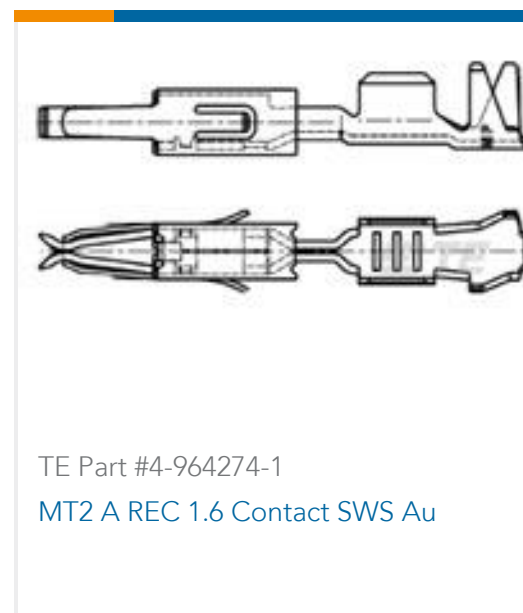
TE Part #1393454-1  
V23542C1028Z100=28P ABDECKKAPP



TE Part #2150603-2  
OCEAN\_2.0\_Applicator-E-090F130F



TE Part #2208113-2  
BLIND PLUG 1.2 X 12.9,NANOMQS,  
GN



TE Part #4-964274-1  
MT2 A REC 1.6 Contact SWS Au

## Documents

### Product Drawings

[V23542C1052B102=52P KABELBAUM-](#)

English

[V23542C1052B102=52P KABELBAUM-](#)

English

### CAD Files

[3D PDF](#)

English

[Customer View Model](#)

[ENG\\_CVM\\_1393450-3\\_A1.2d\\_dxf.zip](#)

English

[Customer View Model](#)

[ENG\\_CVM\\_1393450-3\\_A1.3d\\_igs.zip](#)

English

[Customer View Model](#)

[ENG\\_CVM\\_1393450-3\\_A1.3d\\_stp.zip](#)

English

1393450-3

Housing for Female Terminals, Wire-to-Wire / Wire-to-Board, 52 Position, .169 in / .255 in [4.3 mm / 6.5 mm] Centerline, Sealable, Black, Wire & Cable

