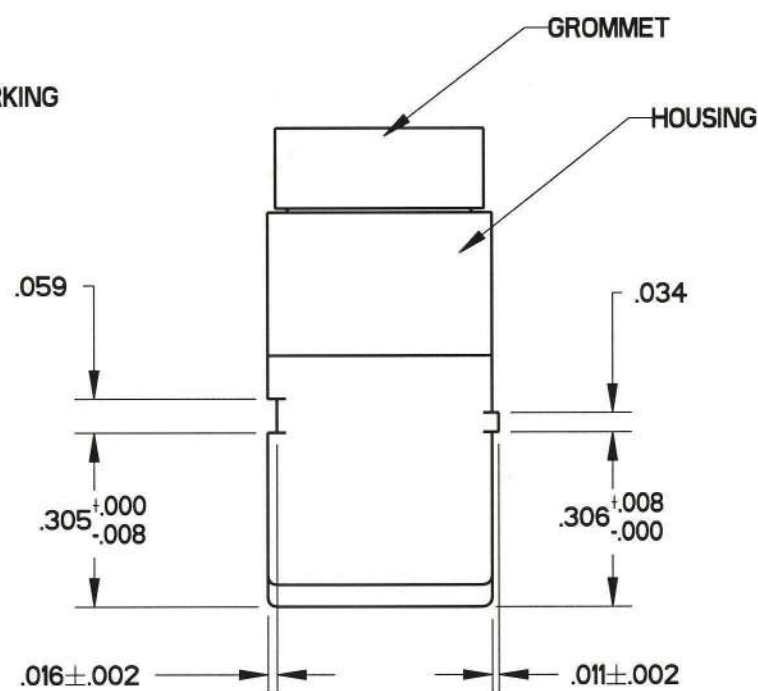
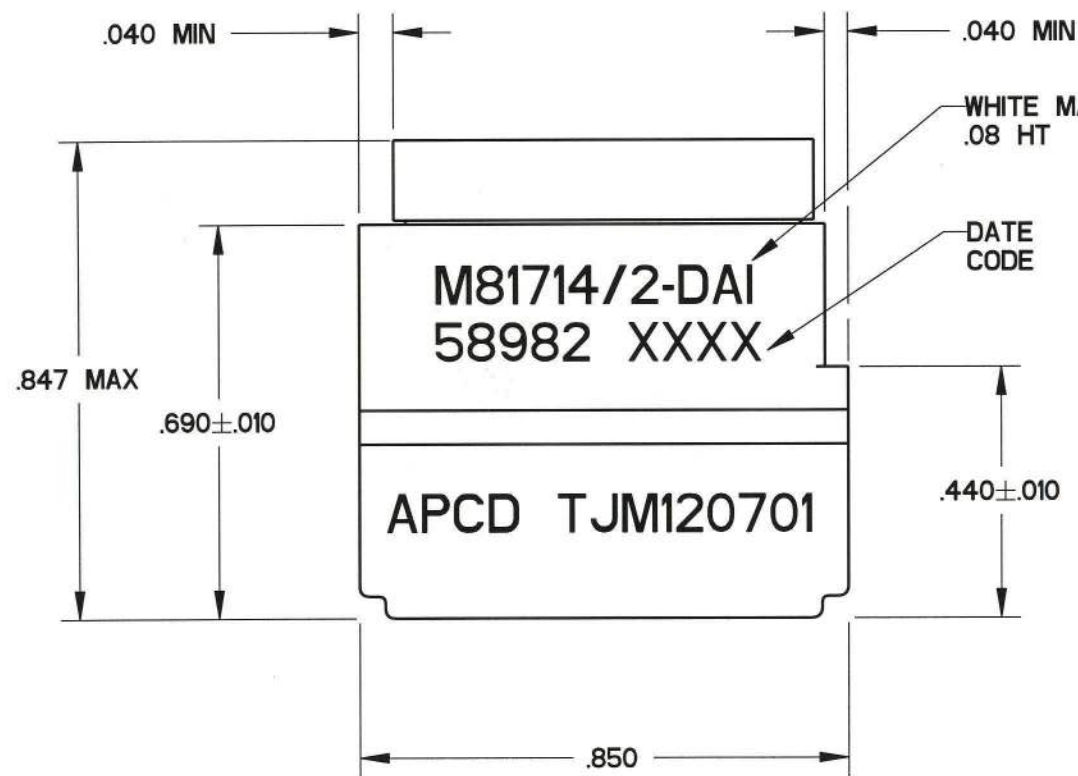
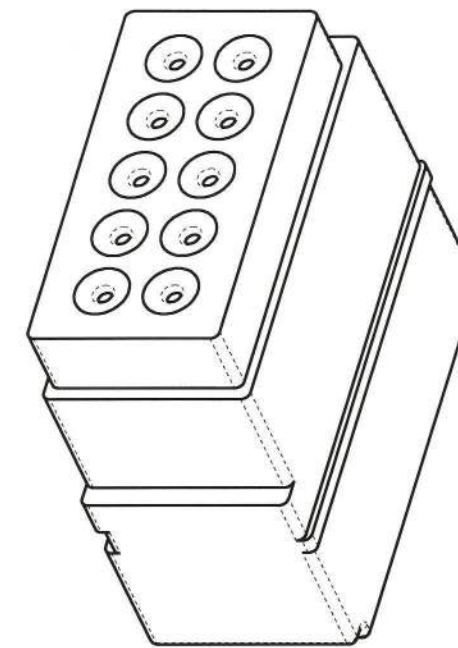
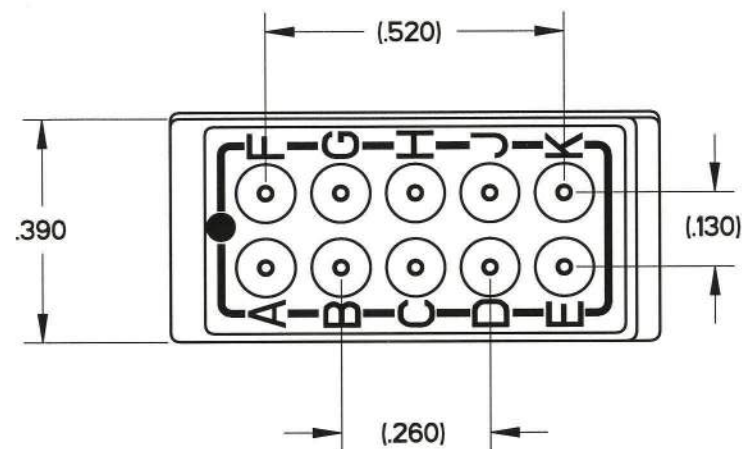


REV	ECN	APP'D
C	5814	JT 4-13-06



- NOTES:
- PERFORMANCE:
 - A) MEETS PERFORMANCE AND ENVIRONMENTAL REQUIREMENTS OF MIL-T-81714/2
 - B) MODULES ARE TO BE MOUNTED INTO RACK ASSEMBLY M81714/5 OR/16 OR COMMERCIAL EQUIVALENT.
 - C) DIELECTRIC WITHSTANDING VOLTAGE: 1500 VRMS AT SEA LEVEL, 200 VRMS AT 100,000 FEET.
 - D) OPERATING TEMPERATURE: -65 C TO 200 C.
 - E) CURRENT RATING: 7.5 AMPS
 - F) VIBRATION AND SHOCK: MIL-T-81714 PARAGRAPH 3.5.5 AND 3.5.8
 - MATERIALS:
 - A) HOUSING - POLYETHERIMIDE, COLOR: BLACK.
 - B) GROMMET - SILICONE ELASTOMER, COLOR: BLUE
 - C) INTERNAL CONTACTS - COPPER ALLOY, GOLD PLATED
 - D) CONTACT RETAINERS - STAINLESS STEEL.

APCD P/N	SUPPLIED				MARKING		CLASS
	PINS		PLUGS		APCD OPL NO.	MIL. NO	
	QTY.	MIL. P/N	APCD P/N	QTY.	APCD P/N		
TJM120601	--	--	--	--	--	TJM120701	M81714/2-DA1
TJM120701	11	M39029/H101	CNP006000	2	CNA032401		

DIMENSIONS ANSI Y14.5M UNITS: INCHES Pro/E FILE	TOLERANCES .XX ±0.01 .XXX ±0.005 ANGLES ±2.0°	PROJECTION 	Amphenol Pcd SPECIFICATION DRAWING		TITLE TERMINAL JUNCTION MODULE SZ 20 FEEDBACK DA1		
			DRWN A. SWEEZEY 03/09/06	ENGR R. SWAINE 03/01/06		SIZE B	DWG NO. TJM120601
ORIGINAL 	THIS DOCUMENT CONTAINS PROPRIETARY INFORMATION WHICH IS THE CONFIDENTIAL PROPERTY OF AMPHENOL PCD INC., PEABODY, MA			APPD <i>Jade tz 4-13-06</i>	CODE: 58982	SCALE: 3:1	SHEET 1 OF 1