

PART NAME: LEG      SCALE: 1:1      DATE: 2/21/55      DR. BY JC

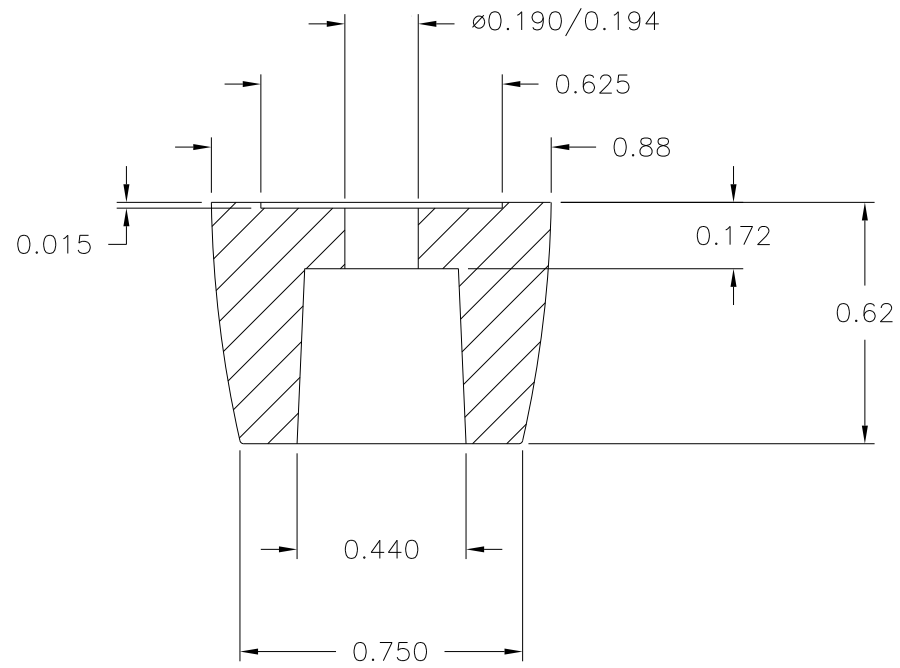
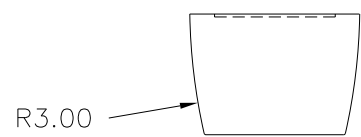
THIS DRAWING IS THE PROPERTY OF DAVIES MOLDING COMPANY, IS SUBMITTED SOLELY AS A DESIGN OR ENGINEERING PROJECT. WE ACCEPT NO RESPONSIBILITY WHATSOEVER FOR THE PRACTICAL APPLICATION OF THE PIECES MADE TO THIS DESIGN.



DESIGNERS & MANUFACTURERS OF KNOBS, HANDLES, CASES & CUSTOM PLASTIC COMPONENTS

P/N	4000-C
M <sup>NO</sup>	4000
CAVITY	4000
PLUNGER	4000
BOTTOM PIN	4000-4

SCALE 2 : 1



MATERIAL: G.P. PHENOLIC (B11)  
COLOR: BLACK

TOLERANCES: UNLESS OTHERWISE SPECIFIED	DO NOT SCALE DRAWING			
DECIMALS: X.XXX ± .005 X.XX ± .015	MM: X.XX ± 0.15MM X.X ± 0.4MM	-	CAD/REDRAWN	HD 8/11/97
FRACTIONS ± 1/64	ANG. ± 1°	CHANGES		