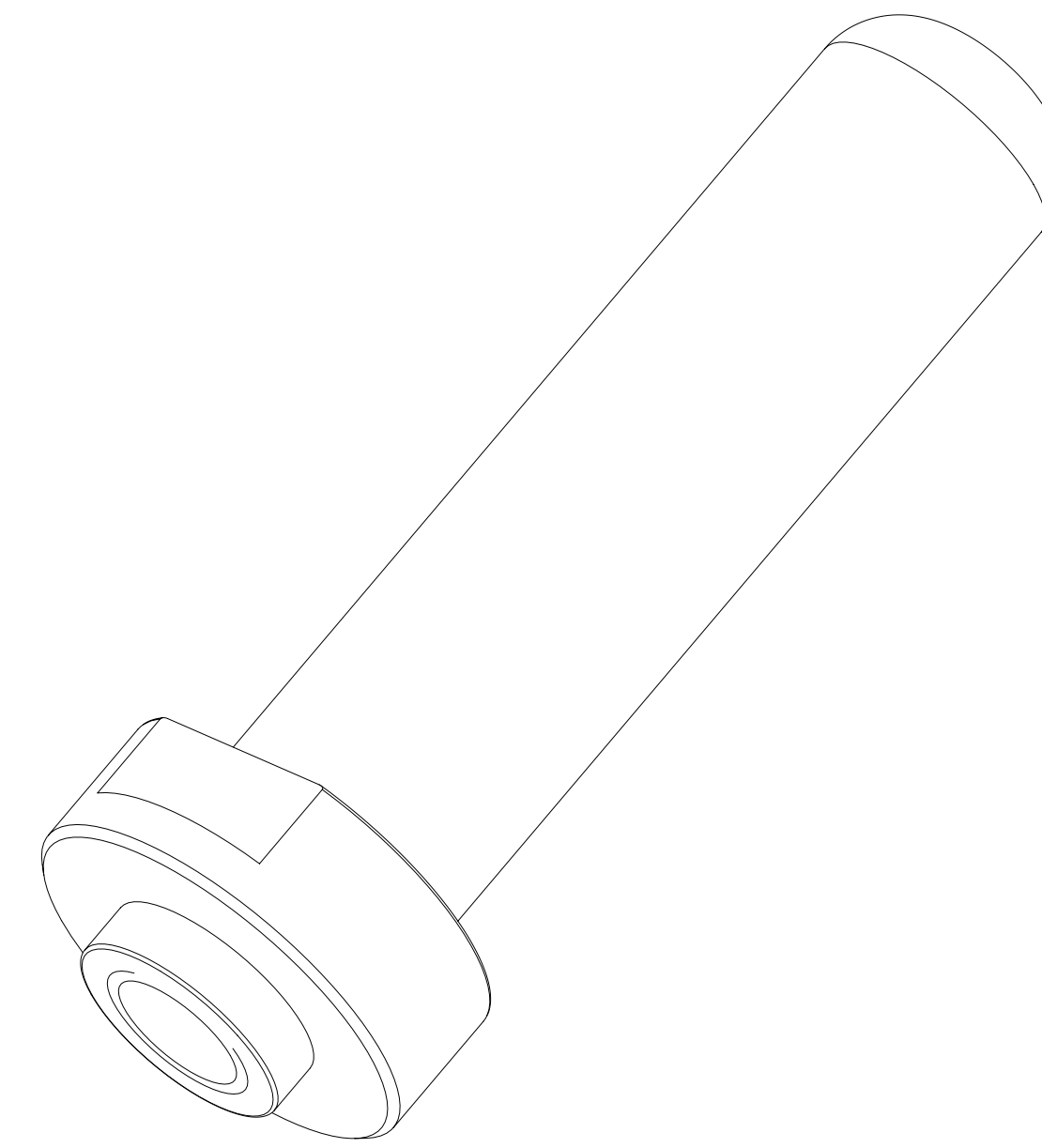
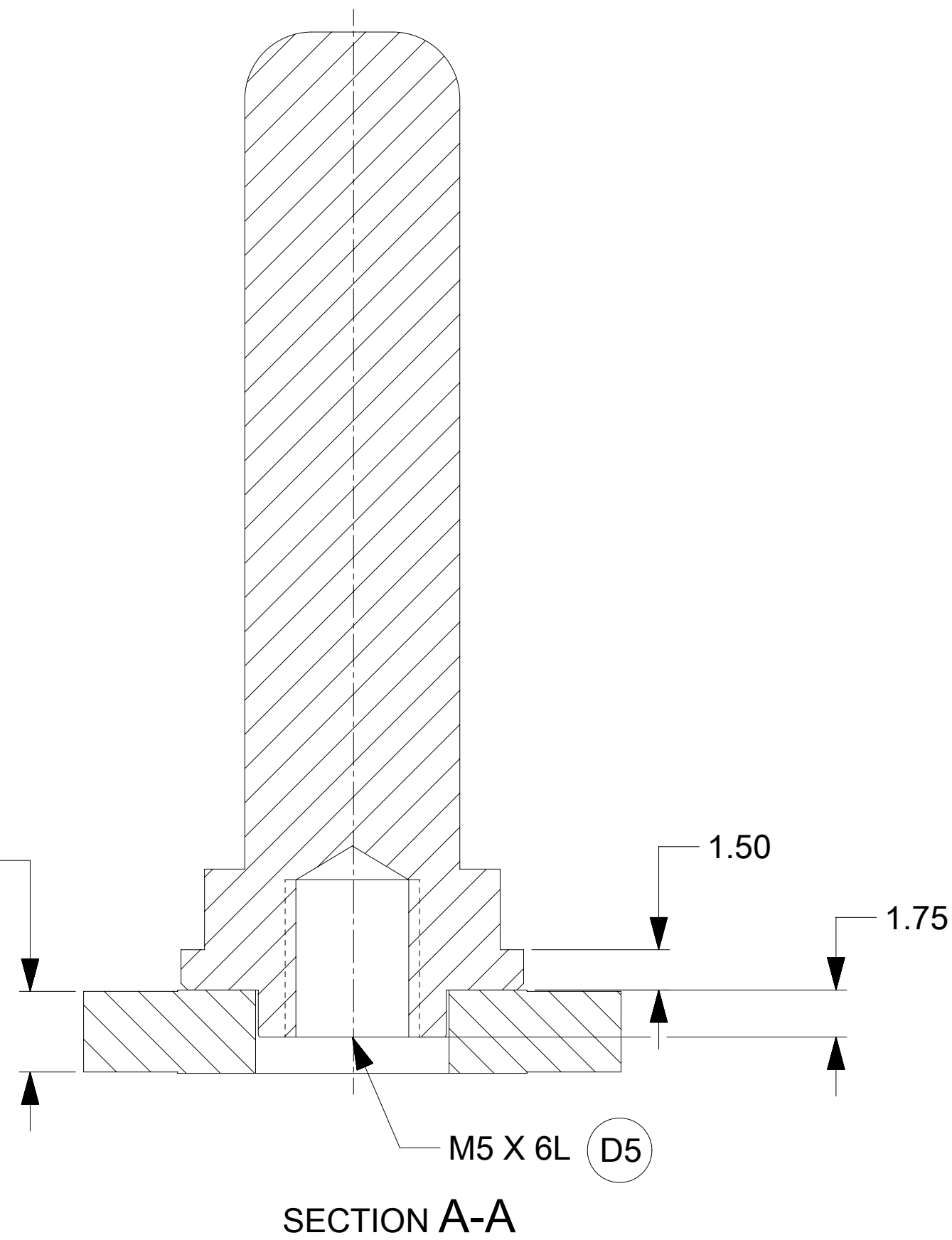
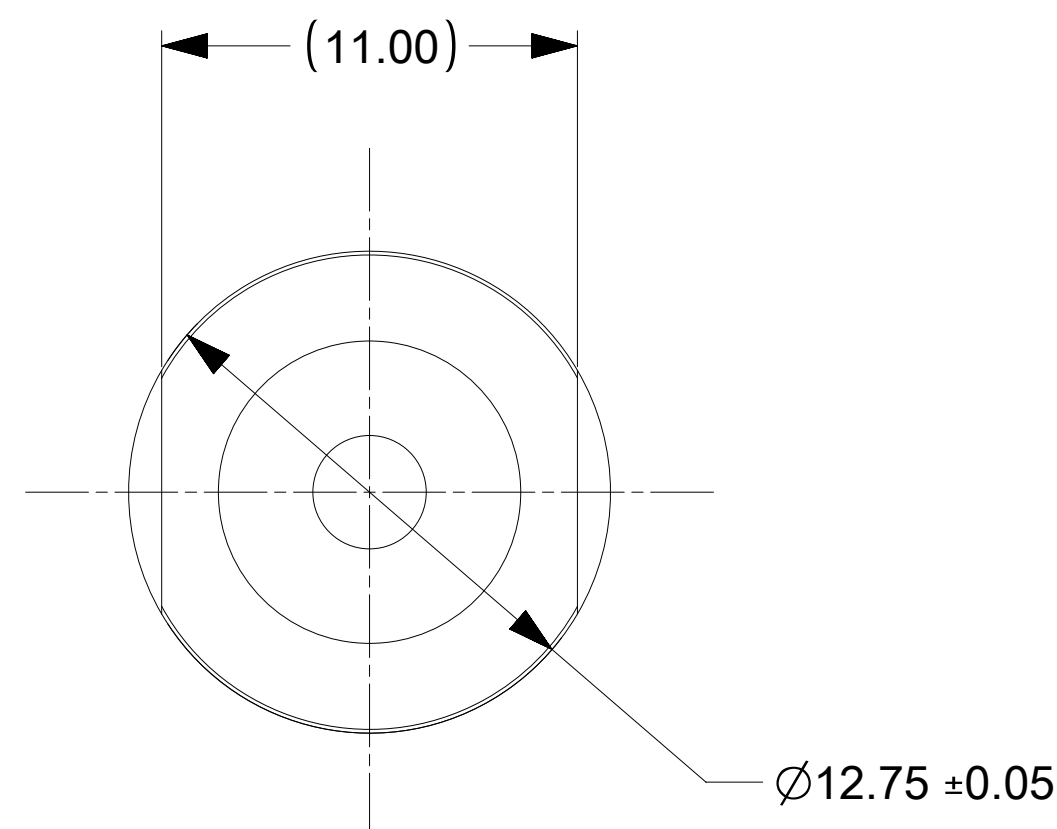
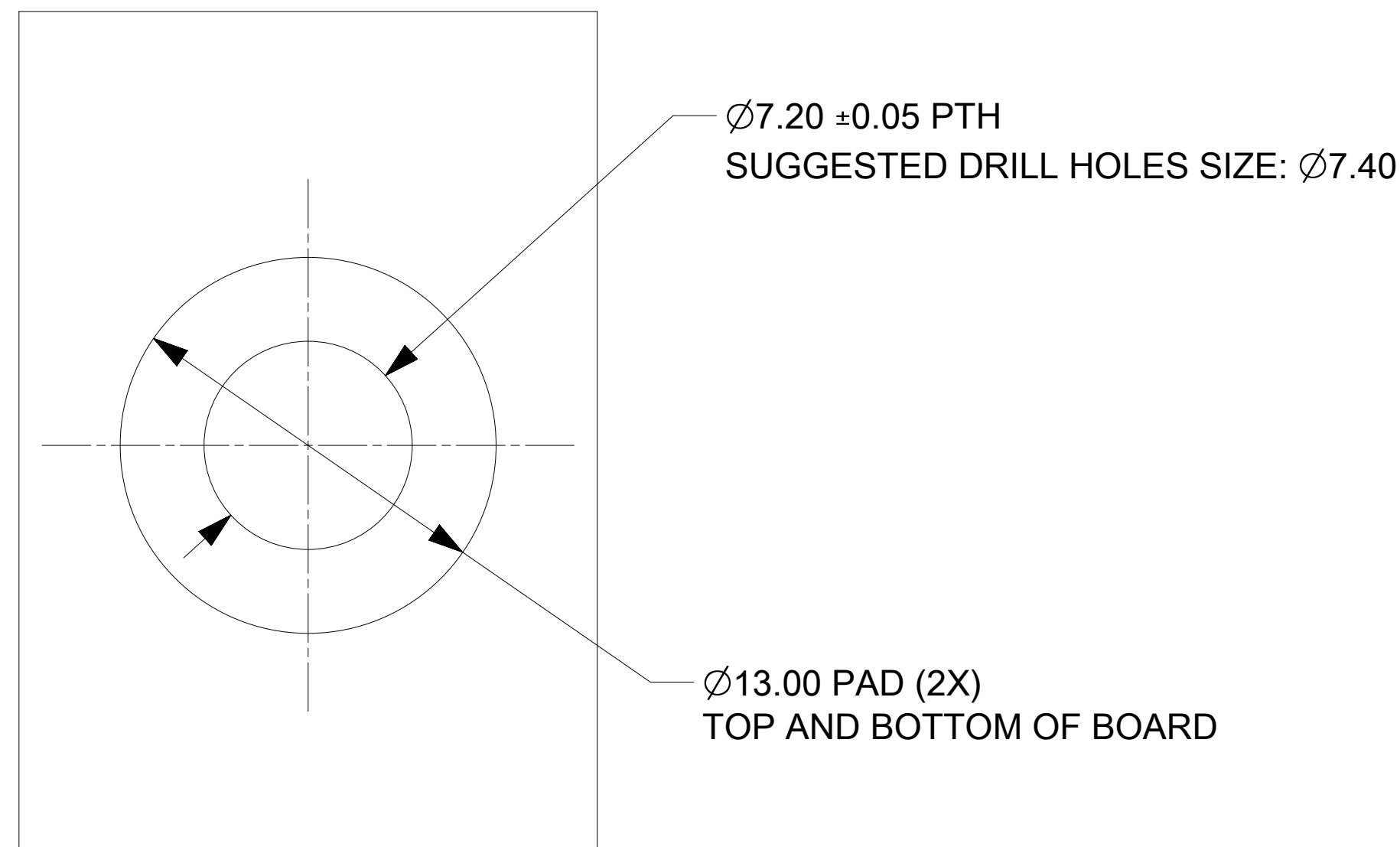


MINIMUM PCB/BUSBAR THICKNESS IS 2.00MM



| PART NUMBER | DIMENSION "L" |
|-------------|---------------|
| 2032634085 | 45.65 |
| 2032634185 | 35.65 |
| 2032634285 | 20.65 |
| 2032634385 | 30.65 |
| 2032634485 | 29.15 |
| 2032634585 | 25.50 |
| 2032634685 | 43.65 |
| 2032634785 | 40.35 |
| 2032634885 | 16.65 |
| 2032634985 | 66.50 |
| 2032637085 | 85.65 |
| 2032637185 | 55.00 |
| 2032637285 | 15.00 |
| 2032637385 | 13.75 |
| 2032637485 | 65.80 |
| 2032637585 | 16.00 |
| 2032637685 | 20.00 |
| 2032637785 | 26.00 |
| 2032637885 | 36.00 |
| 2032637985 | 48.00 |



NOTES :

- MATERIALS:
 BASE METAL: HIGH CONDUCTIVE COPPER ALLOY
 PLATING ON BODY: 3.18 MICRON MIN SILVER OVER 1.27 MICRON MIN NICKEL
- PRODUCT SPECIFICATION: 2043130001-PS
- APPLICATION SPECIFICATION: 2043130001-AS
- PARTS TO BE PACKAGED AS PER PACKAGING SPECIFICATION: 2032630006-PK
- SILVER COMPONENTS WILL BE SUPPLIED TARNISH FREE BUT MAY TARNISH OVER TIME.
- PART TO BE MOUNTED WITH CONDUCTIVE M5 SCREW AND CONDUCTIVE BELLEVILLE WASHER FOR OPTIMAL PERFORMANCE
- SCREW LENGTH TO BE DETERMINED BY CUSTOMER, SCREWS AND WASHERS ARE NOT SUPPLIED BY MOLEX.

| | | | | | | | | | | | |
|---|--------|--|------------|--------|-----------------|----------------|--------------|--|------------|--|--|
| THIS DRAWING CONTAINS INFORMATION THAT IS PROPRIETARY TO MOLEX ELECTRONIC TECHNOLOGIES, LLC AND SHOULD NOT BE USED WITHOUT WRITTEN PERMISSION | | | | | | | | | | | |
| DIMENSION UNITS | SCALE | CURRENT REV DESC: UPDATED NOTES AND THREAD DIMENSION | | | | | | | | | |
| mm | 5:1 | <p>SENTRALITY 8.00MM MALE TERMINAL SCREW MOUNT</p> <p>PRODUCT CUSTOMER DRAWING</p> | | | | | | | | | |
| GENERAL TOLERANCES (UNLESS SPECIFIED) | | | | | | | | | | | |
| ANGULAR TOL | ± 0.5° | | | | | | | | | | |
| 4 PLACES | ± | | | | | | | | | | |
| 3 PLACES | ± | | | | | | | | | | |
| 2 PLACES | ± 0.2 | | | | | | | | | | |
| 1 PLACE | ± 0.25 | EC NO: 748054 | 2023/02/07 | | | 2023/05/08 | | | 2023/05/22 | | |
| 0 PLACES | ± | DRWN: JJONIAK | 2018/10/10 | | | 2019/03/22 | | | 2019/03/22 | | |
| DRAFT WHERE APPLICABLE MUST REMAIN WITHIN DIMENSIONS | | THIRD ANGLE PROJECTION | DRAWING | SERIES | MATERIAL NUMBER | CUSTOMER | SHEET NUMBER | | | | |
| | | | D-SIZE | 203263 | SEE TABLE | GENERAL MARKET | 1 OF 1 | | | | |

RECOMMENDED PCB OR BUSBAR LAYOUT