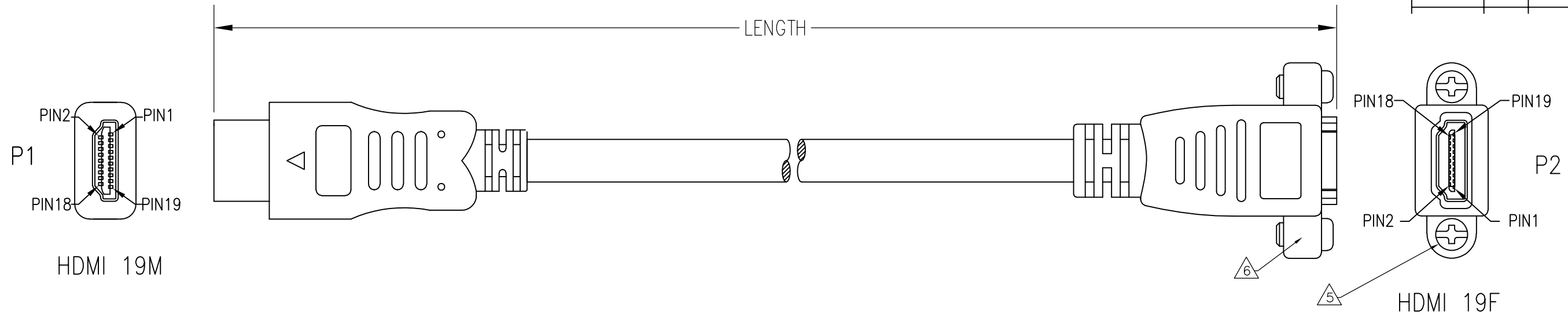


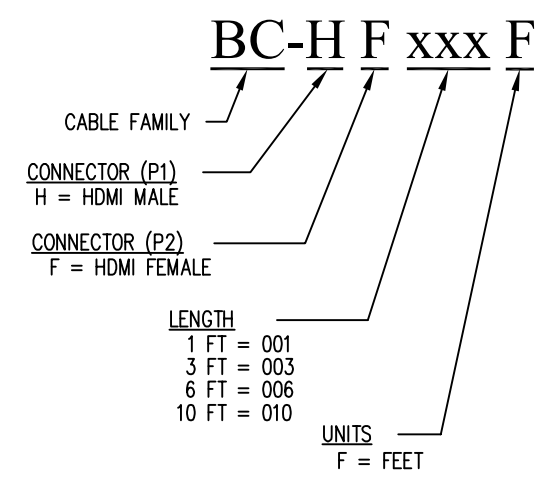
DATE	REV	ECN	APP'D. BY
08/31/21	A0	11827	JME
-	-	-	-



WIRING MAP

P1 (HDMI 19M)		P2 (HDMI 19F)	
1	RED	1	RED
3	WHITE SHIELD	3	WHITE SHIELD
2	PURPLE AL/MY	2	SHIELD
4	RED	4	RED
6	WHITE SHIELD	6	WHITE SHIELD
5	GREEN AL/MY	5	SHIELD
7	RED	7	RED
9	WHITE SHIELD	9	WHITE SHIELD
8	BLUE AL/MY	8	SHIELD
10	RED	10	RED
12	WHITE SHIELD	12	WHITE SHIELD
11	BROWN AL/MY	11	SHIELD
14	RED	14	RED
19	WHITE SHIELD	19	WHITE SHIELD
17	SILVER AL/MY	17	SHIELD
13	RED	13	RED
15	ORANGE	15	ORANGE
16	WHITE	16	WHITE
18	YELLOW	18	YELLOW
SHIELD	SHIELD		

PART NUMBER KEY



TYPICAL PART NUMBERS	
PART NUMBER	LENGTH FEET [METERS]
BC-HF001F	1 [0.30]
BC-HF003F	3 [0.91]
BC-HF006F	6 [1.82]
BC-HF010F	10 [3.05]
FOR PART NUMBERS NOT SHOWN FOLLOW PART NUMBER KEY FORMAT	

NOTES:

- EACH CABLE ASSEMBLY INDIVIDUALLY BAGGED
- CONNECTOR (P1): HDMI 19 MALE, GOLD FLASH ON CONTACTS, GOLD CONNECTOR, BLACK INSULATOR
- CONNECTOR (P2): HDMI 19 FEMALE, GOLD FLASH ON CONTACTS, GOLD CONNECTOR, BLACK INSULATOR, WITH PCB
- WIRE CONSTRUCTION: UL20276; 28 AWG, BLACK JACKET, OD 0.287" [7.3 mm]
- SCREW: 5.5 X 8MM, 4-40# (INCLUDED)
- HEX-NUT: 5 X 7.7MM, 4-40#



THIRD ANGLE PROJECTION		206 Van Vorst Street Jersey City, NJ 07302 +1 201 432 0463 http://www.belfuse.com	
DO NOT SCALE DRAWING DRAWING IS SUBJECT TO CHANGE WITHOUT NOTICE		TITLE: HDMI 1.4 CABLE, MALE TO FEMALE	
DIMENSIONS: INCHES [METRIC]	THIS DRAWING AND THE SUBJECT MATTER SHOWN THEREON ARE CONFIDENTIAL AND THE PROPRIETARY PROPERTY OF BEL FUSE, INC. AND SHALL NOT BE REPRODUCED, COPIED, OR USED IN ANY MANNER WITHOUT PRIOR WRITTEN CONSENT OF BEL FUSE, INC.	DRN BY: BTS	DATE 08/16/21
UNLESS OTHERWISE SPECIFIED TOLERANCES ARE ±.005 [0.13] ANGLES ARE ± 1°		APPD BY: JME	DATE 08/31/21
SHEET NO. 1 OF 1		DWG NO. CT999264	REV. A0