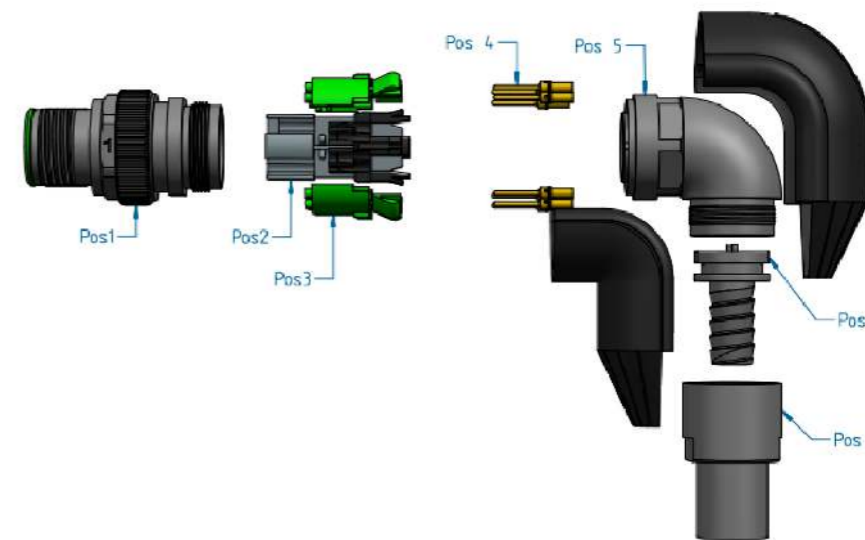
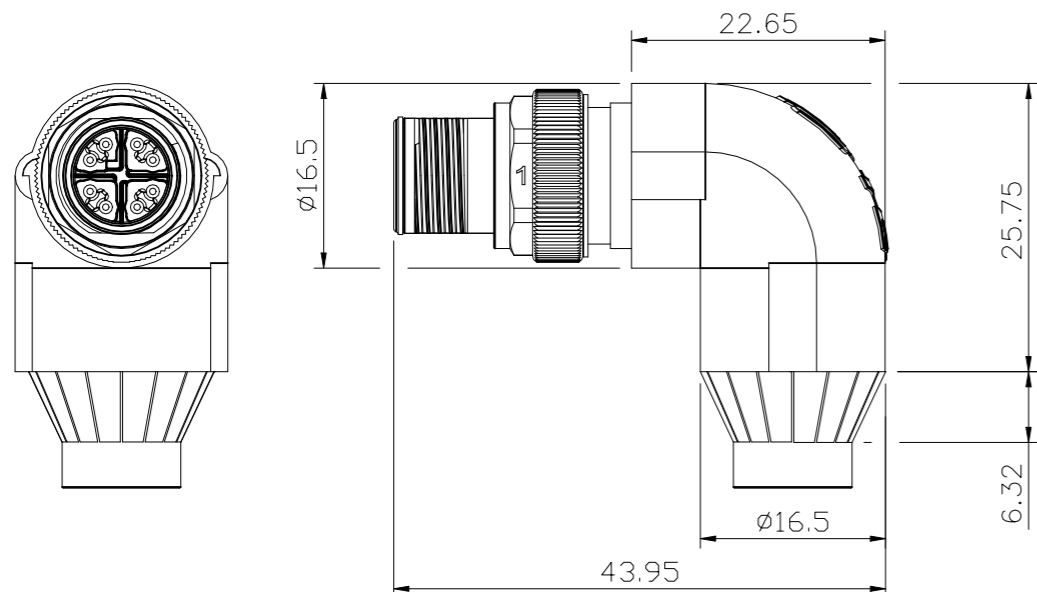


© 2021 TE Connectivity. All Rights Reserved.	
PROJECT	PRJ-14-000004825
PART NO	2350791-X
HV DESC	M12, 90 PIN, X8/8 H+S 84124806
CUSTOMER	GENERAL MARKET

REVISIONS					
P	LTR	DESCRIPTION	DATE	DWN	APVD
	A2	CRIMP TOOL INFORMATION UPDATE	18JAN2021	GK	SE



SHOWN: MALE CONNECTOR WITH COVER

Cable preparation		Recommended Contact crimping tools			Recommended Jacket Crimping Tools		Crimp Flange insertion		

TE PN	Description	Coding	Number of positions	Gender	Number of contacts included	Connector type	Applicable on cable	Manufacturer PN	Category	Color	Conductor size	Conductor stripping	Jacket cutting	Hand tool	Contact positioner	Crimp Selection number*	Crimp tTool	Tool Setting	Handle	Insert for handle	Connector assembly tool
2350791-1	M12 X-M-8,90,CRIMP,CAT7,H&S 84124806	X	8	Male	8	Right Angle	Radox 8.2mm	H&S 84124806	Cat 7	Black	8 x AWG24	734185-1	2119000-1	601966-1	2-2823582-0	5	2380757-2	BLUE	1-2823560-1	1-2823561-1	1-2823564-1
2350791-2	M12 X-M-8,90,CRIMP,CAT7,TE 2297799-1					Right Angle	TE Cat 7 cable TECC0011C7	TE 2297799-1	Cat 7	Blue	8 x AWG24										

\*TOOL SETTING MUST BE VALIDATED ON CABLE USED



ISO VIEW  
M12 X-8 MALE CONNECTOR

NOTES:

- ALL DIMENSIONS ARE FOR NOMINAL REFERENCE ONLY.
- PACKAGING: 1 PIECE IN A BOX, CONTACTS INCLUDED.
- THE CONNECTOR IS AS PER IEC 61076-2-109.
- TEMPERATURE RANGE: WITH CABLE BOOT -40°C TO +70°C. WITHOUT CABLE BOOT -40°C TO +85°C.
- VIBRATION & SHOCK TEST CONDUCTED AS PER IEC 61373:61373 CAT 1 CLASS B & CAT 2.
- FIRE PERFORMANCE CONDUCTED AS PER EN45545-2 HL3 R22/R23, NFF16-101 AND NFF16-102.
- SPECIAL CRIMP FLANGE SYSTEM WITH CRIMP INSERT AND CRIMP SLEEVE SECURES THE EFFECTIVE SHIELDING OVER THE LIFETIME WITH EXTREMELY HARD CONDITIONS.
- VIBRATION AND TORSION-PROOF CABLE STRAIN RELIEF FOR ROUGH ENVIRONMENT ACHIEVED BY HEXAGONAL CRIMP OF THE CRIMP SLEEVE OF THE CRIMP FLANGE SYSTEM.
- DEGREE OF PROTECTION: IP 67 (ONLY SCREW-LOCKED).
- DATA TRANSMISSION RATE: UP TO 10Gbit/SEC ACC. TO IEC 802.3an CATEGORY 6A.
- CURRENT RATING: 0.5A, NOMINAL VOLTAGE: 48V, CONTACT RESISTANCE: ≤ 5 mΩ, INSULATION RESISTANCE: ≥ 100 mΩ.
- DURABILITY: ≥ 250 MATING CYCLES

Pos.	DESCRIPTION	MATERIAL	QTY	UNIT
9	BAG 60x100 mm		1	PC
8	BOOT	THERMO PLASTIC	1+1	PC
7	BACKNUT & CRIMP SLEEVE	BRASS, NICKEL PLATED	1	PC
6	CRIMP INSERT	BRASS, NICKEL PLATED	1	PC
5	90° KNEE	ZINC	1	PC
4	CRIMP CONTACT	BRASS, Au PLATED	8	PC
3	CONTACT HOLDER	THERMO PLASTIC	3+1	PC
2	CONTACT CARRIER	THERMO PLASTIC	1	PC
1	FRONT HOUSING	BRASS, NICKEL PLATED	1+1	PC

THIS DRAWING IS A CONTROLLED DOCUMENT.		DWN 16APR2019 GOPALAKRISHNA HV	TE Connectivity	
		CHK 16APR2019 S EGBERT		
		APVD 16APR2019 S EGBERT	NAME M12, X-CODED RAIL MALE 8 CRIMP CONNECTORS	
DIMENSIONS: mm		TOLERANCES UNLESS OTHERWISE SPECIFIED:		
		0 PLC ± - 1 PLC ± - 2 PLC ± - 3 PLC ± - 4 PLC ± - ANGLES ± -		
MATERIAL		FINISH		
		DWN 16APR2019 GOPALAKRISHNA HV CHK 16APR2019 S EGBERT APVD 16APR2019 S EGBERT PRODUCT SPEC APPLICATION SPEC WEIGHT		SIZE A3 CAGE CODE 00779 DRAWING NO C-2350791 RESTRICTED TO -
CUSTOMER DRAWING		SCALE -	SHEET 1 OF 1	REV A2