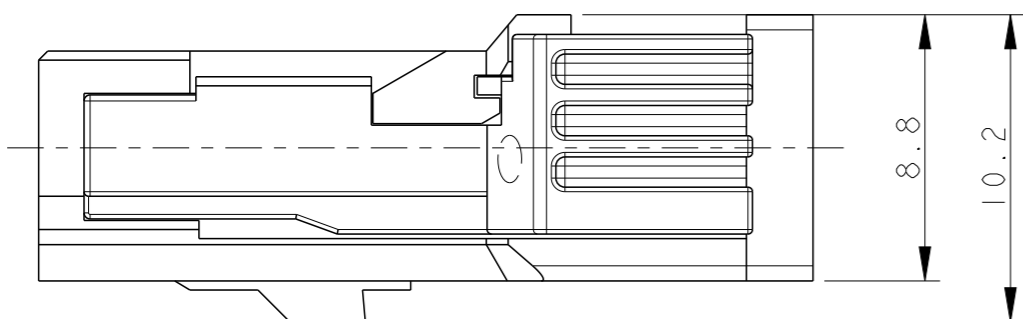


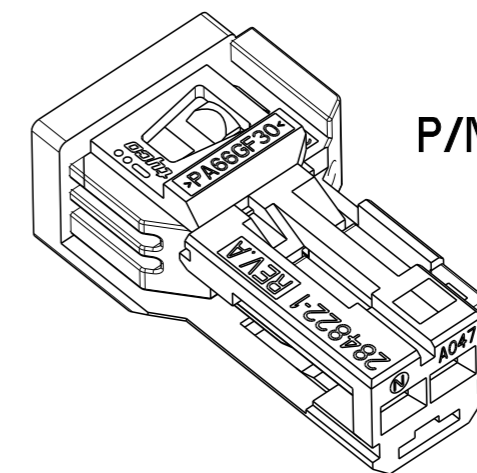
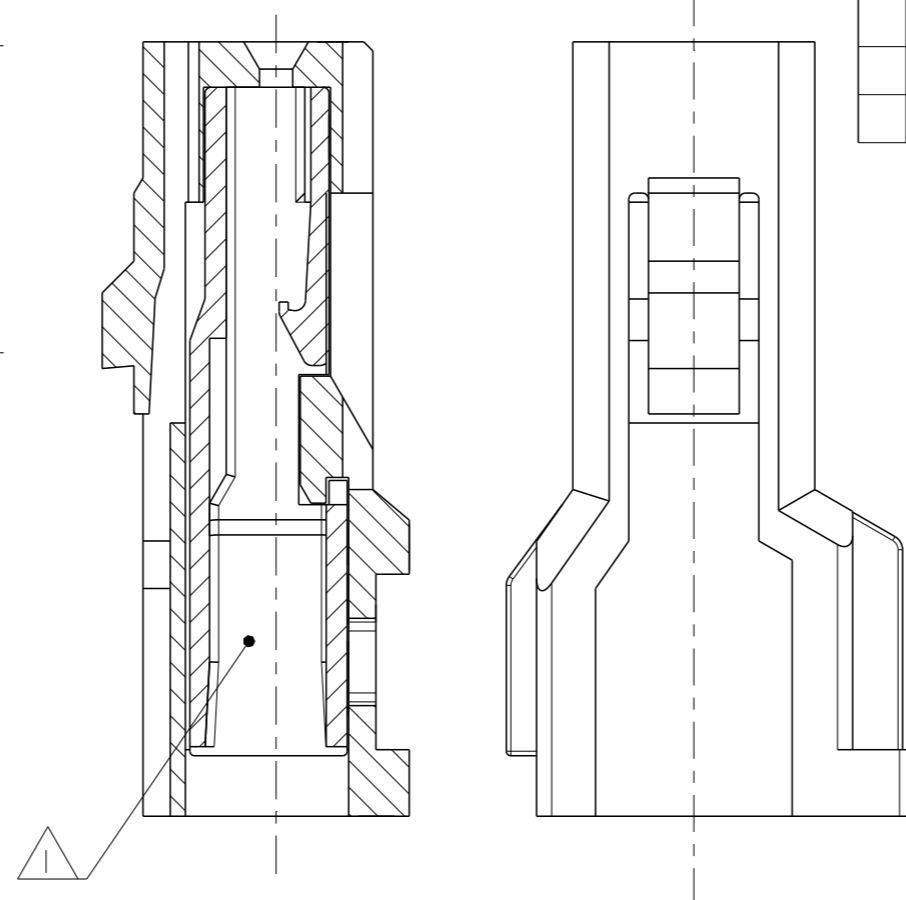
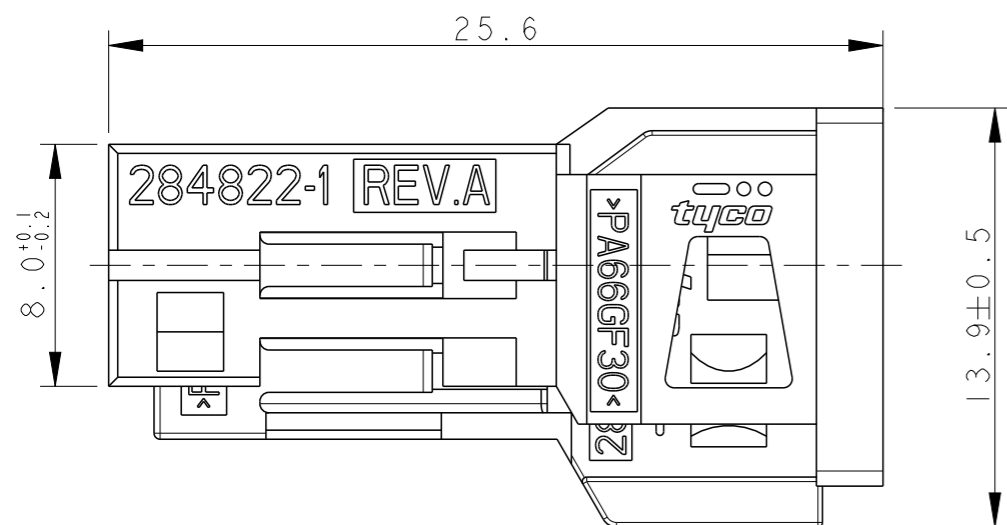
REVISIONS

P	LTR	DESCRIPTION	DATE	DWN	APVD
A3		RELEASE -2 VERS.(ECR-15-012020)	24AUG2015	M.G.	M.G.

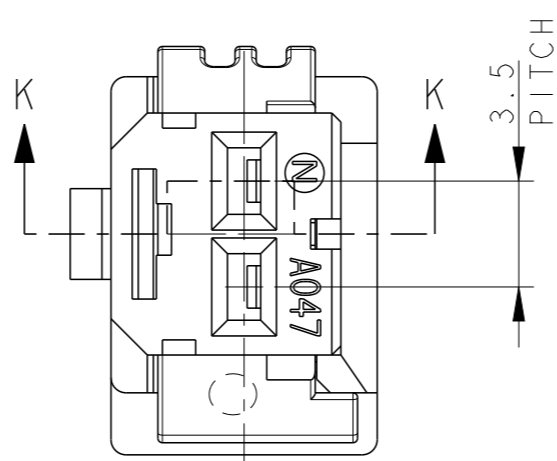
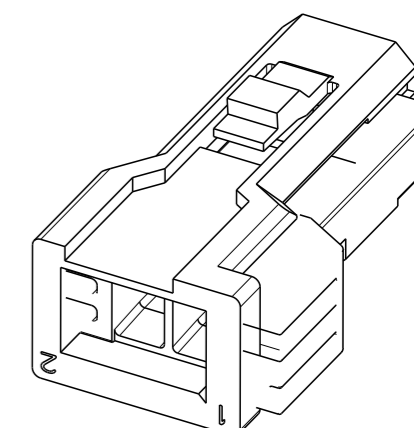
SECTION K-K



PRE-ASSEMBLED POSITION

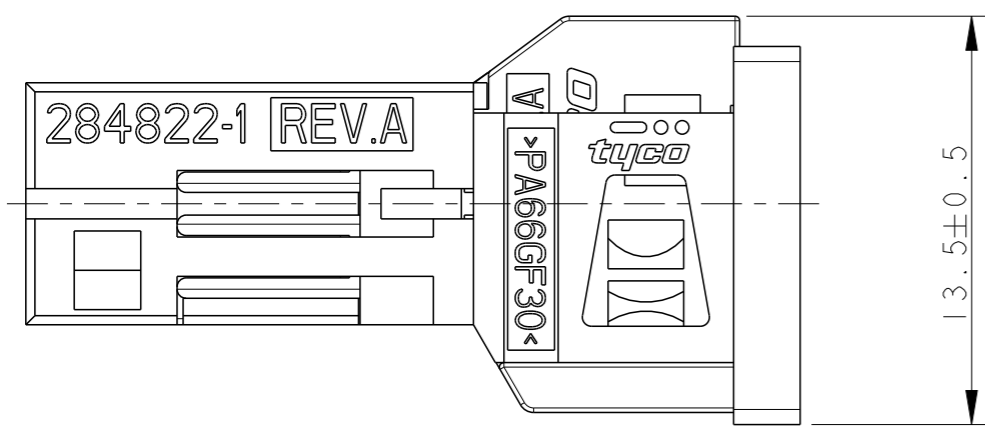


P/N 284820-1 AS SHOWN



- 1) CAVITIES SUITABLE FOR .070 FEMALE MULTILOCK NEW GEN. CONTACT P/N 284087-1, 284088-1, 284166-1
- 2) CONNECTOR SUPPLIED IN PRE-ASSEMBLED POSITION
- 3) SUITABLE TO BE MATED WITH MALE CONNECTOR P/N 174460-1 FOR COUNTERPART DRAWING SEE SHEET 2

SECONDARY LOCK CLOSED



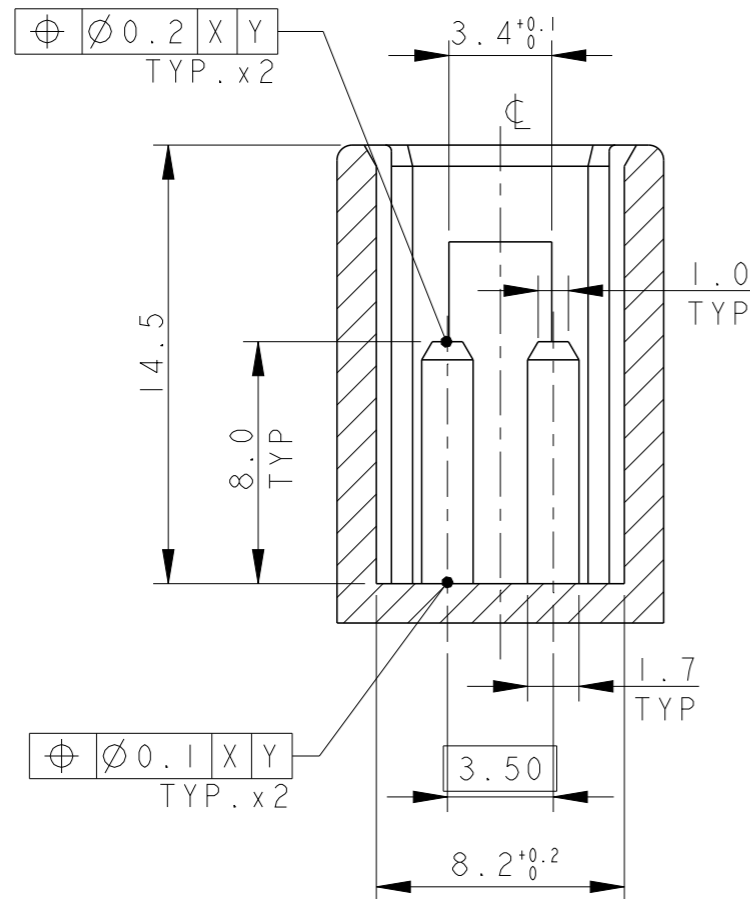
-	BLACK	PA66-GF	284820-2
-	WHITE	PA66-GF	284820-1
NOTE	COLOR	MATERIAL	P/N

THIS DRAWING IS A CONTROLLED DOCUMENT.		DWN P. ZAMPIROLO 20MAR2001			
DIMENSIONS: mm		CHK O. CANUTO 20MAR2001			
TOLERANCES UNLESS OTHERWISE SPECIFIED:		APVD O. CANUTO 20MAR2001		NAME -	
0 PLC ±0.5		PRODUCT SPEC 108-20175		2W CONNECTOR FOR .070 N.G. MULTILOCK CONTACTS	
1 PLC ±0.3		APPLICATION SPEC -		RESTRICTED TO -	
2 PLC ±0.1		WEIGHT 1,4gr		SIZE A3	CAGE CODE -
3 PLC ±-		Customer Drawing		DRAWING NO C-284820	SCALE 4:1
4 PLC ±-		FINISH -		SHEET 1 OF 2	REV A3
ANGLES ±°					
MATERIAL -					
SEE TABLE					

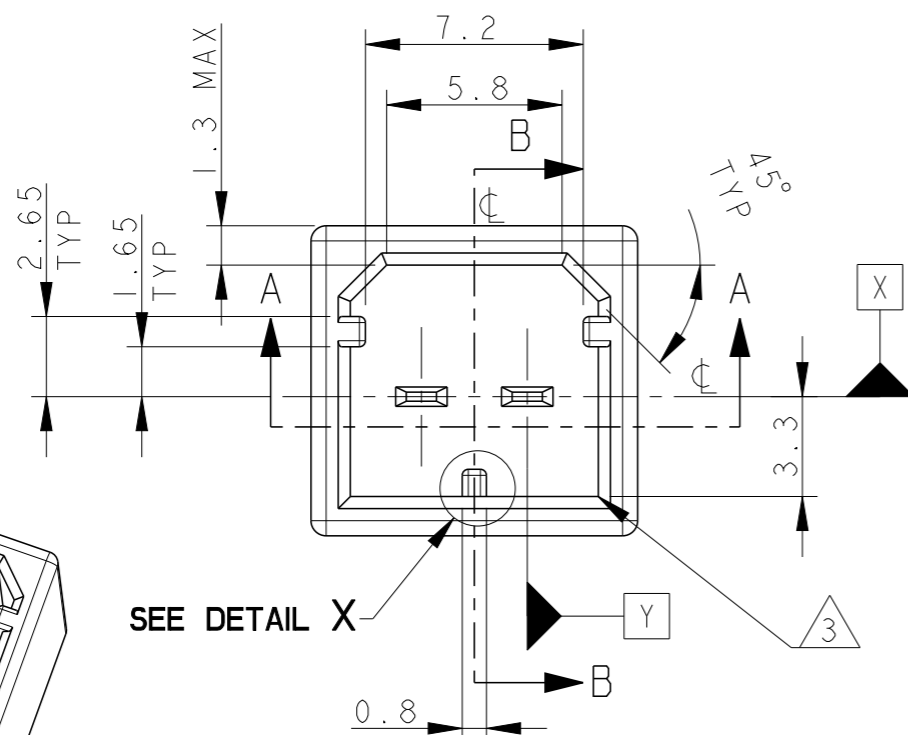
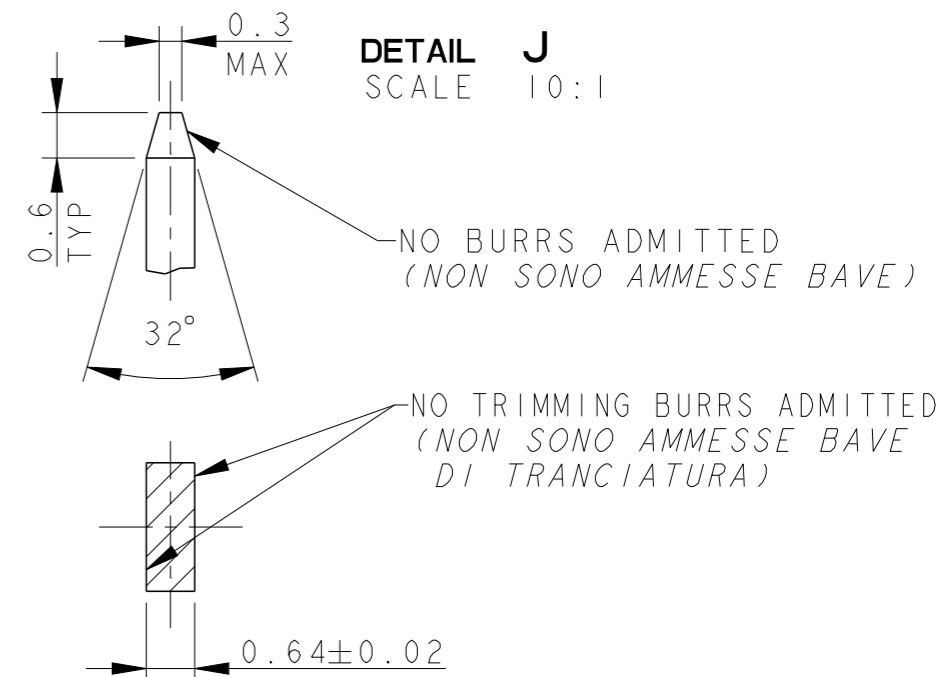
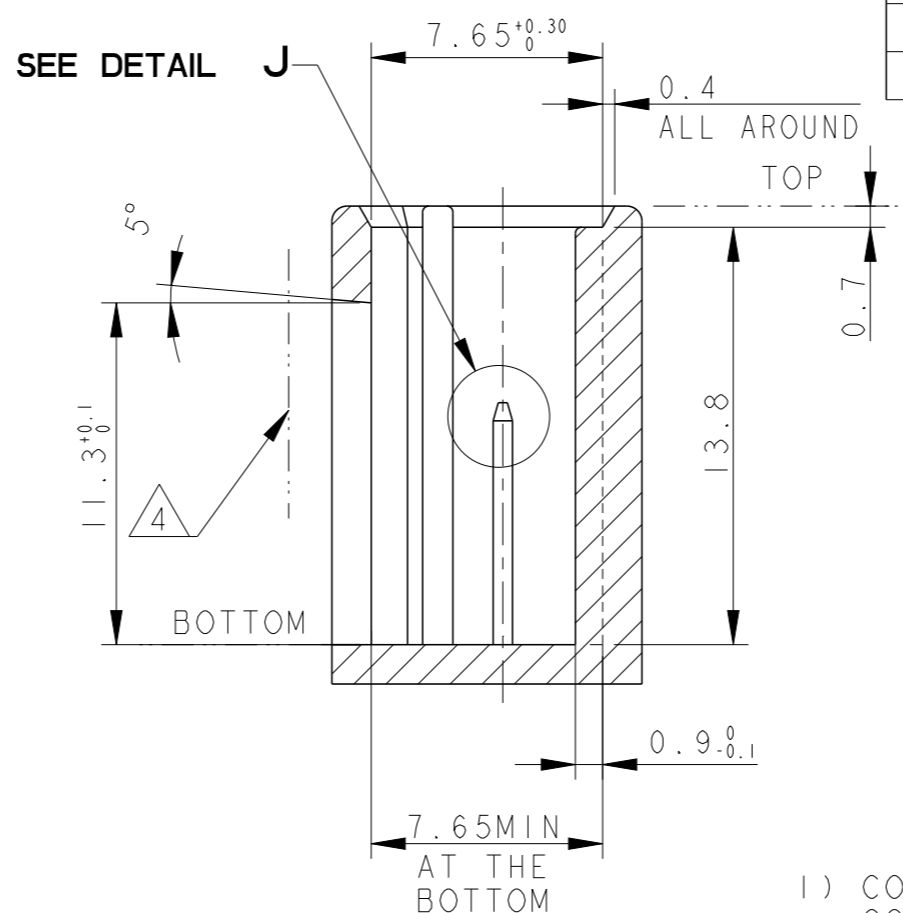
REVISIONS

P	LTR	DESCRIPTION	DATE	DWN	APVD
-	-	SEE SHEET 1	-	-	-

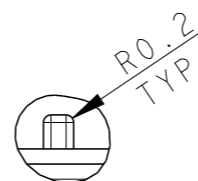
SECTION A-A



SECTION B-B



DETAIL X
SCALE 5:1



1) COUNTERPART SUITABLE FOR 2W RECEPTACLE CONNECTOR FOR .070 NEW GEN. CONTACT
(DIMA ADATTA PER CONNETTORE 2 VIE PER CONTATTI 070 NEW GENERATION)

2) MATERIALS (MATERIALI):
BODY: PA66 GLASS FIBER FILLED
TABS: BRASS TIN PLATED TEMPER 4
(CORPO: POLIAMMIDE CARICATA VETRO
CONTATTI: OTTONE TEMPRA 4 STAGNATO)

3) UNLESS OTHERWISE SPECIFIED R0.3 MAX
(SPIGOLI INTERNI R0.3 MAX SE NON DIVERSAMENTE SPECIFICATO)

4) THIS SIDE MUST BE FREE TO ALLOW PUSHING THE LOCKING LANCE ON THE PLUG CONNECTOR
(LATO DA LASCIARE LIBERO PER ACCEDERE ALLA LANCIA D'AGGANCIO DEL CONNETTORE)

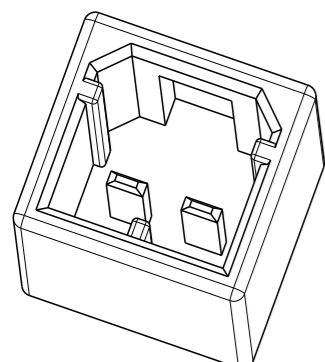
THIS DRAWING IS A CONTROLLED DOCUMENT.

DIMENSIONS:	TOLERANCES UNLESS OTHERWISE SPECIFIED:
mm	
0 PLC	± 0.3
1 PLC	± 0.1
2 PLC	± 0.05
3 PLC	\pm
4 PLC	\pm
ANGLES	$\pm 1^\circ$
MATERIAL	FINISH

DWN	20MAR2001
P.	ZAMPIROLO
CHK	20MAR2001
O.	CANUTO
APVD	20MAR2001
O.	CANUTO
PRODUCT SPEC	108-20175
APPLICATION SPEC	-
WEIGHT	-



NAME		-	
PRODUCT SPEC		2W CONNECTOR FOR .070 N.G. MULTILOCK CONTACTS	
SIZE	CAGE CODE	DRAWING NO	RESTRICTED TO
A3	-	C=284820	-
Customer Drawing		SCALE	SHEET
		4:1	2 OF 2
		REV	A3



SEE DETAIL X