


SIGN	DATE	DESCRIPTION	APPROVER
		<i>THIS IS CAD DRAWING, DO NOT REVISE MANUALLY!!!</i>	

Dimension

Poles	DIM A	DIM B
2	30.00±0.30	15.00±0.20
3	45.00±0.30	30.00±0.30
4	60.00±0.50	45.00±0.30
5	75.00±0.50	60.00±0.50
6	90.00±0.80	75.00±0.50
7	105.00±0.80	90.00±0.80
8	120.00±0.80	105.00±0.80
9	135.00±0.80	120.00±0.80
10	150.00±0.80	135.00±0.80

N=Number of poles

Material

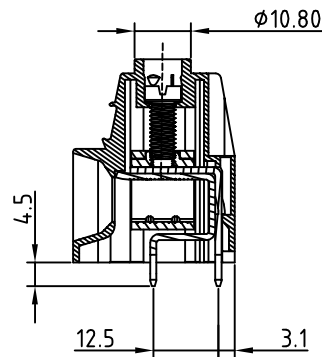
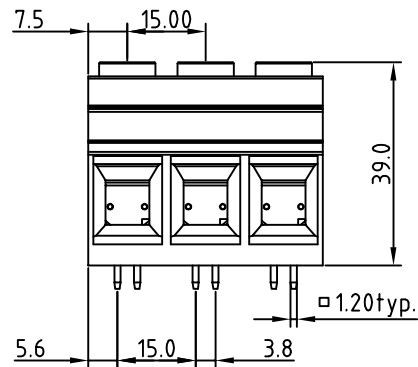
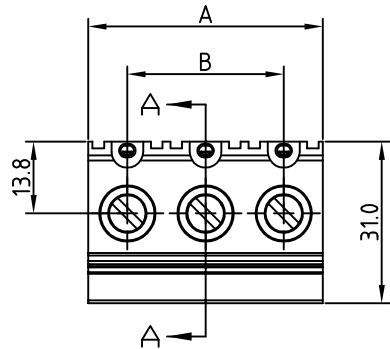
- Terminal body
  - (metal housing): Steel Stamping
  - Terminal screw: Cr3+Zn plated "-" slot type
  - Contacts: Brass
  - Surface of solder tail: Tin plated
  - Insulator (housing): Thermoplastic (UL94V-0)
- Electrical
- Voltage rating: 600V
  - Current rating: 125A
  - Wire range:
    - Solid wire(AWG): 2-20
    - Stranded wire(AWG): 2-20
  - Torque(Lb-In): 36.5
  - Screw: M5
  - Wire strip length: 12-15mm
  - Withstanding Voltage: 2.2KV
  - Operating temperature: -30° C to +105° C
  - Soldering temperature: 250° C±10° C/5 Sec
  - Safety Approval:  US

RoHS Compliant

PART NUMBER:

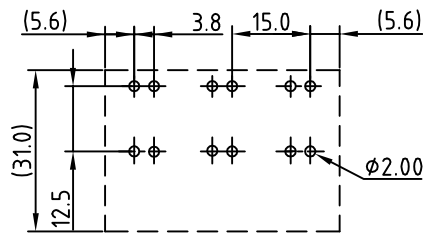
**OSTEIXXC1530**

No. of Poles	COLOR
02 02 Poles	0: Black
03 03 Poles	5: Green (Standard)
.....	6: Blue
10 10 Poles	8: Grey



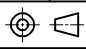
SECTION A-A

P.C.B. Layout



THESE DRAWINGS AND SPECIFICATIONS ARE THE PROPERTY OF ON-SHORE TECHNOLOGY, INC. AND SHALL NOT BE REPRODUCED, COPIED OR USED IN ANY MANNER WITHOUT THE PRIOR WRITTEN CONSENT OF ON-SHORE TECHNOLOGY, INC.



TITLE		OSTEI 15.0mm Series Double-contacts(front and back) 2p-10p, "-" slot type					
PART NO.		OSTEIXXC1530		DWG NO.		OSTEIXXC1530.DWG	
APPROVED	CHECKED	DESIGNED	DRAWN	CUST NO.		Tolerance	
Shi Jun 2006.10.23	Shi Jun 2006.10.23	Aaron 2006.10.23	Aaron 2006.10.23			X. ±0.50	
						UNIT: mm	X.X ±0.30
						SCALE: NONE	X.XX ±0.10
				SHEET: 01/01		REV.: B	X* ±1*