

THIS DRAWING IS UNPUBLISHED.

RELEASED FOR PUBLICATION

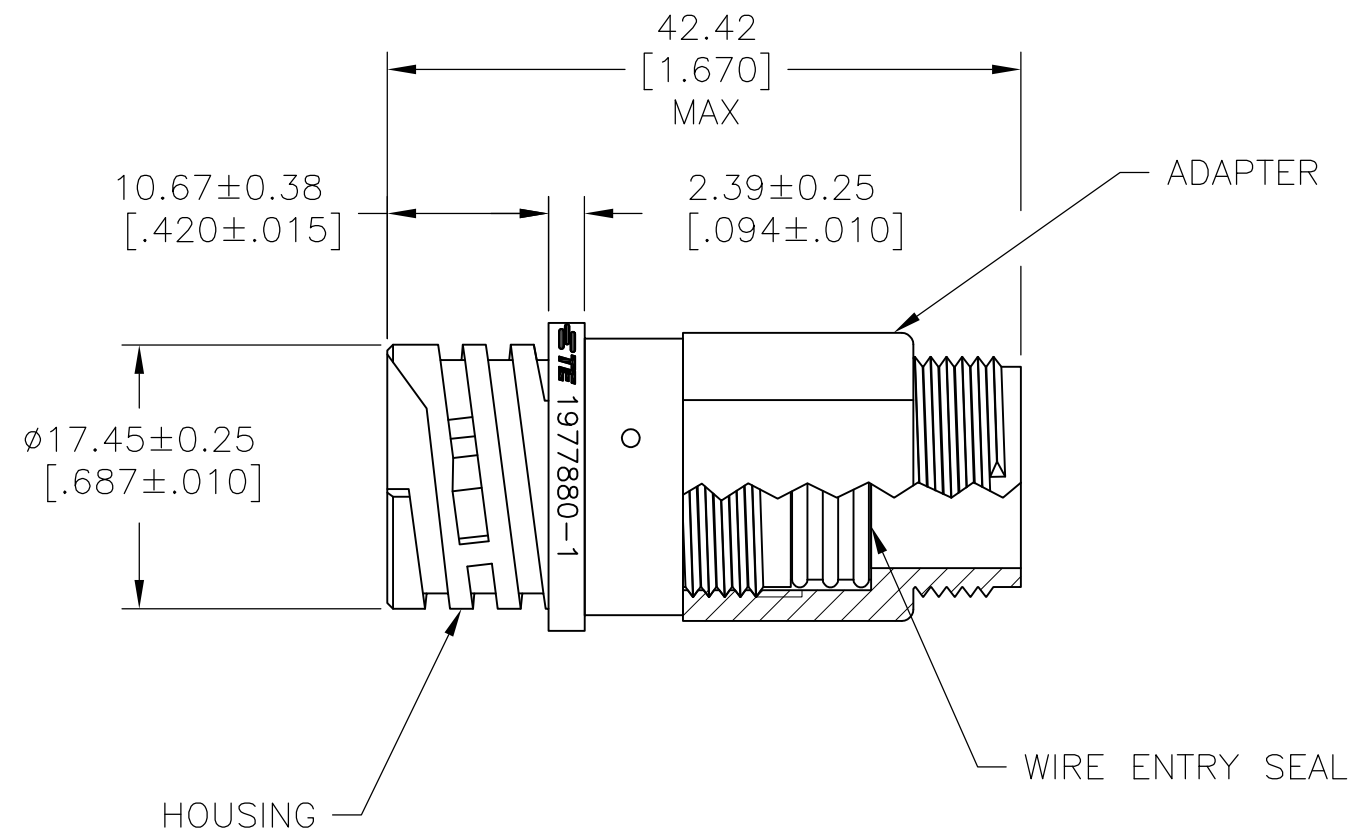
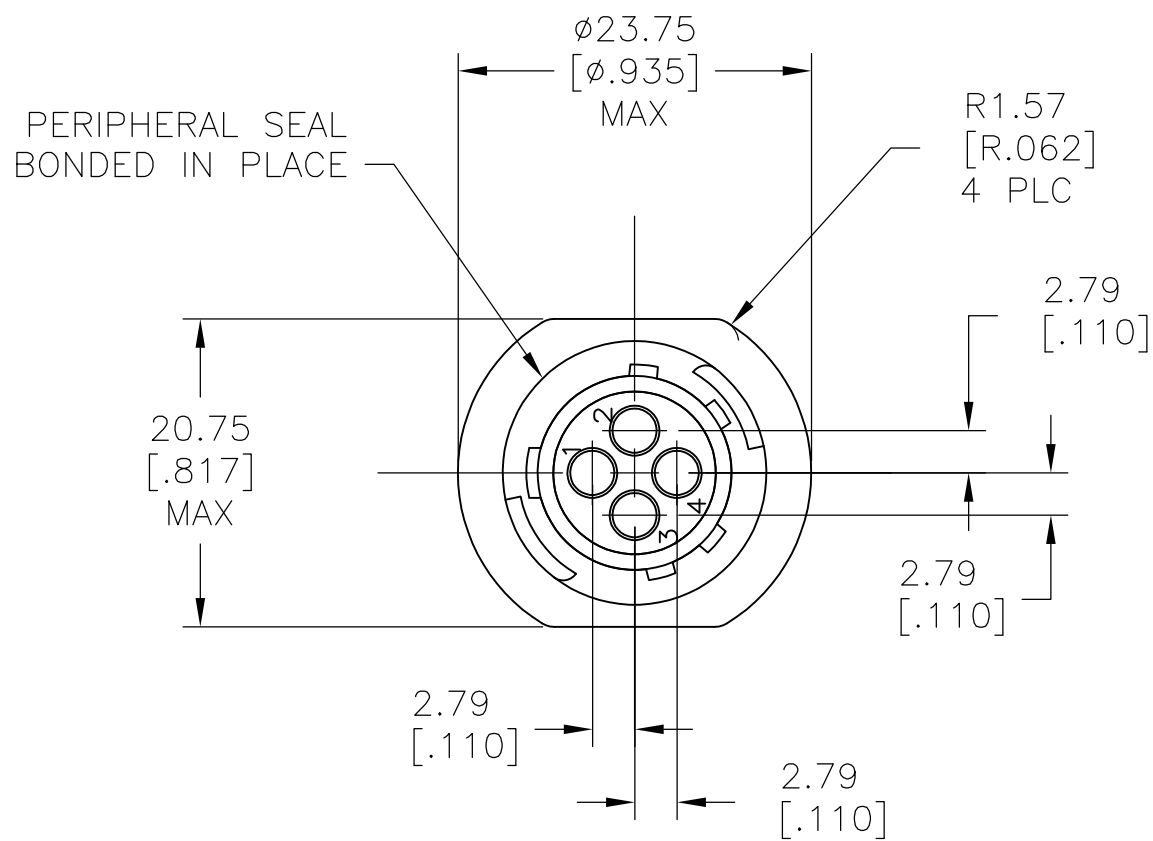
---

© COPYRIGHT - By -

ALL RIGHTS RESERVED.

LOC	DIST	REVISIONS			
P	LTR	DESCRIPTION	DATE	DWN	APVD
FT	0	A	NEW DRAWING PER ECO-12-018480	08NOV12	KH MZ

- 1 HOUSING & ADAPTER: NYLON 6/6, BLACK.  
WIRE ENTRY SEAL: ELASTOMER, RED.
- 2 THIS CONNECTOR WILL ACCEPT  
FOUR (4) MULTIMATE SOCKET CONTACTS.



1977880-1  
PART NUMBER

THIS DRAWING IS A CONTROLLED DOCUMENT.		DWN KIRAN HOLAL 08NOV12	TE Connectivity		
DIMENSIONS: MM [INCHES]		CHK M ZITTO 08NOV12			
TOLERANCES UNLESS OTHERWISE SPECIFIED:		APVD M ZITTO 08NOV12	NAME CPC FREE HANGING RECEPTACLE ASSEMBLY, SERIES 1, SEALED, 11-4, REVERSE SEX, UV RESISTANT		
0 PLC $\pm -$ 1 PLC $\pm -$ 2 PLC $\pm 0.13$ [.005] 3 PLC $\pm -$ 4 PLC $\pm -$ ANGLES $\pm -$		PRODUCT SPEC 108-1579	DRAWING NO A3 00779 C-1977880		
MATERIAL		APPLICATION SPEC 114-10038	SIZE	CAGE CODE	RESTRICTED TO
FINISH		WEIGHT -	A3	00779	-
		CUSTOMER DRAWING		SCALE 2:1	SHEET 1 OF 1
				REV A	