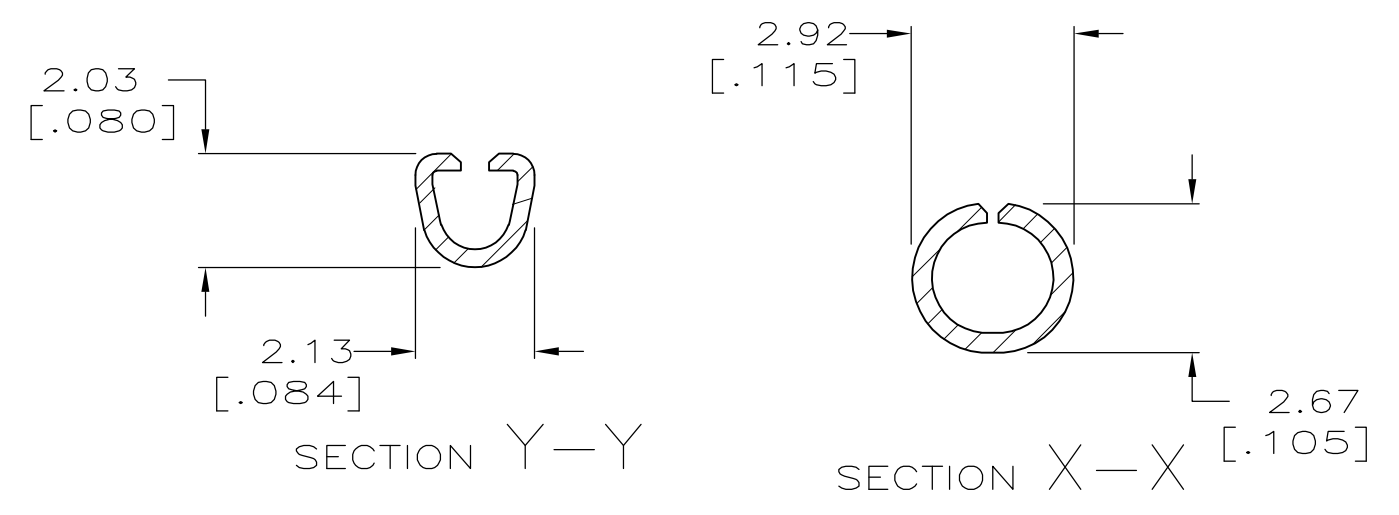
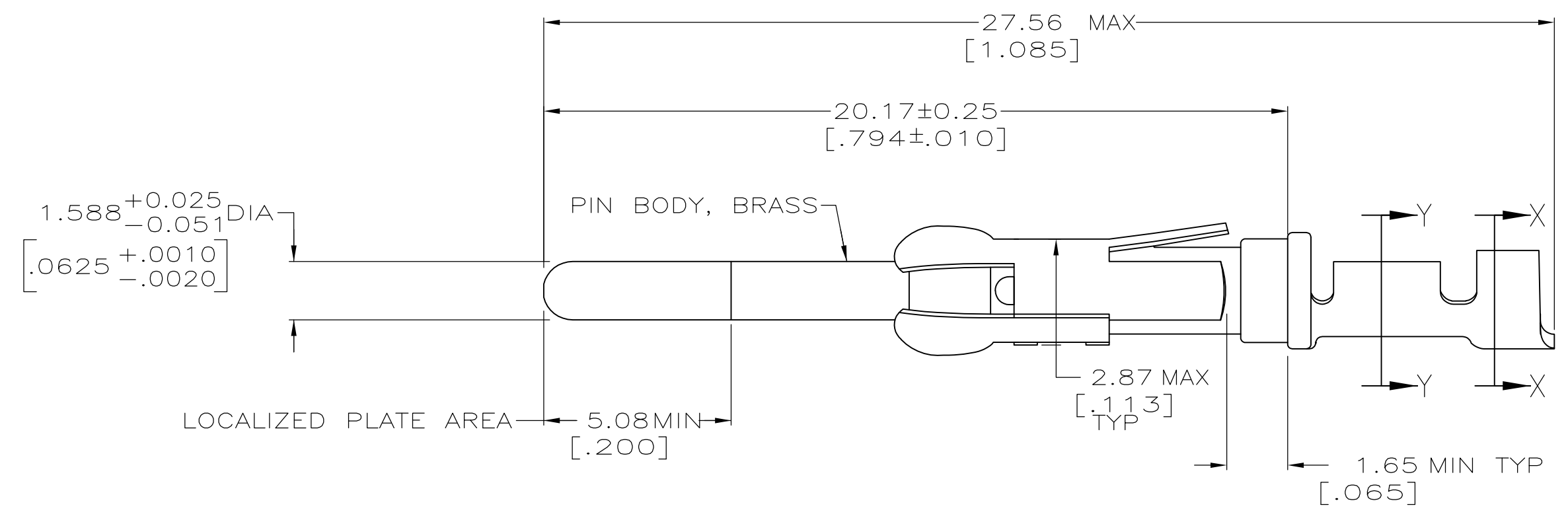
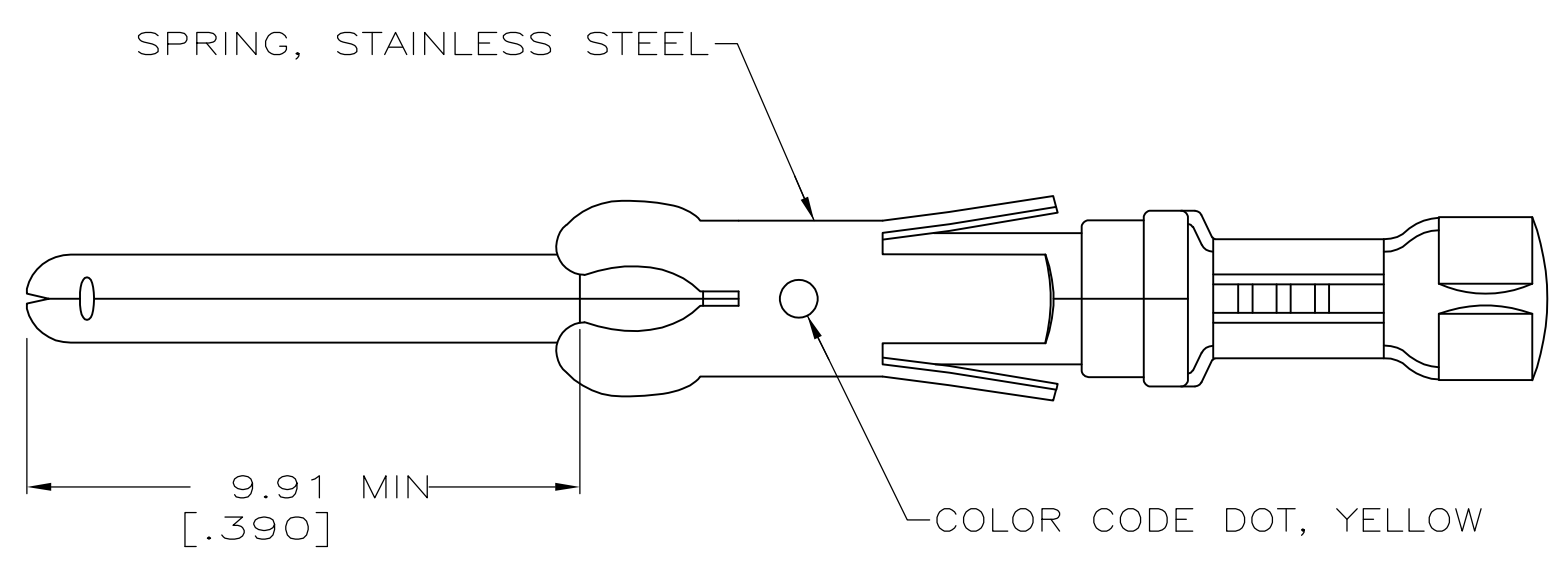


THIS DRAWING IS UNPUBLISHED. RELEASED FOR PUBLICATION  
 © COPYRIGHT - By - ALL RIGHTS RESERVED.

LOC	DIST	REVISIONS			
P	LTR	DESCRIPTION	DATE	OWN	APVD
FT	47	L2	REVISED PER ECO-11-005027	11MAR11	RK HMR



- 1. WIRE RANGE 26-20 AWG.
- 2. OBSOLETE PARTS: OBSOLETE CIS STREAMLINING PER D.RENAUD/D.SINISI

2	OBsolete	SMALL PACK	66182-2
		STANDARD	66182-1
		PACKAGING TYPE	PART NO

THIS DRAWING IS A CONTROLLED DOCUMENT.		DWN	H MOLL	9-27-90	<b>STE</b> TE Connectivity
DIMENSIONS: MM[INCHES]		CHK	J.McCLINTON	12-15-90	
TOLERANCES UNLESS OTHERWISE SPECIFIED:		APVD	A.ROULLIANNE	12-10-90	NAME
0 PLC ± -	1 PLC ± -	PRODUCT SPEC		PIN ASSEMBLY, LOOSE PIECE, TYPE III+	
2 PLC ± 0.13[.005]	3 PLC ± -	APPLICATION SPEC		SIZE	CAGE CODE
4 PLC ± -	ANGLES ± -	WEIGHT		A2	00779
MATERIAL SEE CALL OUT		FINISH PIN BODY: 0.76µm [.00003] MIN GOLD IN LOCALIZE PLATE AREA, 0.25µm [.00001] MIN GOLD ON THE REMAINDER OVER 1.27µm [.00005] MIN NICKEL		DRAWING NO	
		CUSTOMER DRAWING		RESTRICTED TO	
		SCALE 8:1		SHEET 1 OF 1	REV L2

66182