

CAT IV 4mm Sheathed Banana Jack, Press Fit, 2mm Pin, 1kV

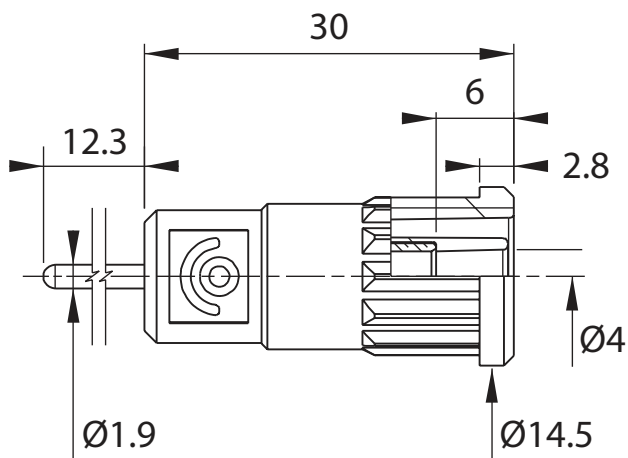
CT3887-#



Features:

- 1,000 V CAT IV
- Meets IEC 61010-031 safety standard
- Accepts sheathed or standard banana plugs
- Press fit into panel mounts
- $\varnothing 2$ mm x 12 mm Short pin termination
- 36 A Max
- CE listed
- RoHS 2 compliant

Measurement Drawing: (dimensions in mm, not to scale)



Description:

The CT3887 extends the rating of our 4mm Sheathed Banana Jacks from 1,000 V CAT III to 1,000 V CAT IV.^a

Accepting sheathed 4 mm banana plugs, the jack offers a $\varnothing 2$ mm x 12 mm short pin termination for soldering to a wire or onto a PCB. The jack press fits into both plastic and metal panels.

The CT3887 is available in 9 colors.

^a Must be used in conjunction with other similarly rated products.

Order Information:

CT3887-#

CAT IV 4mm Sheathed Banana Jack, Press Fit, 2mm Pin, 1kV

- Color: replace ‘#’ with dash number:
-0 Black,, -1 Brown, -2 Red, -4 Yellow, -5 Green, -6 Blue, -7 Violet, -8 Grey,
-9 White

Contact Info:

Toll Free: 800-572-1028 (US Only)

Phone: 714-221-9330

Fax: 714-921-9849

22820 Savi Ranch Parkway

Yorba Linda, CA 92887-4610 USA

www.caltestelectronics.com



Copyright © 2020, Cal Test Electronics, Inc. All rights reserved. Information in this publication supersedes that in all previously published material. Trade names referenced are the service marks, trademarks or registered trademarks of their respective companies.