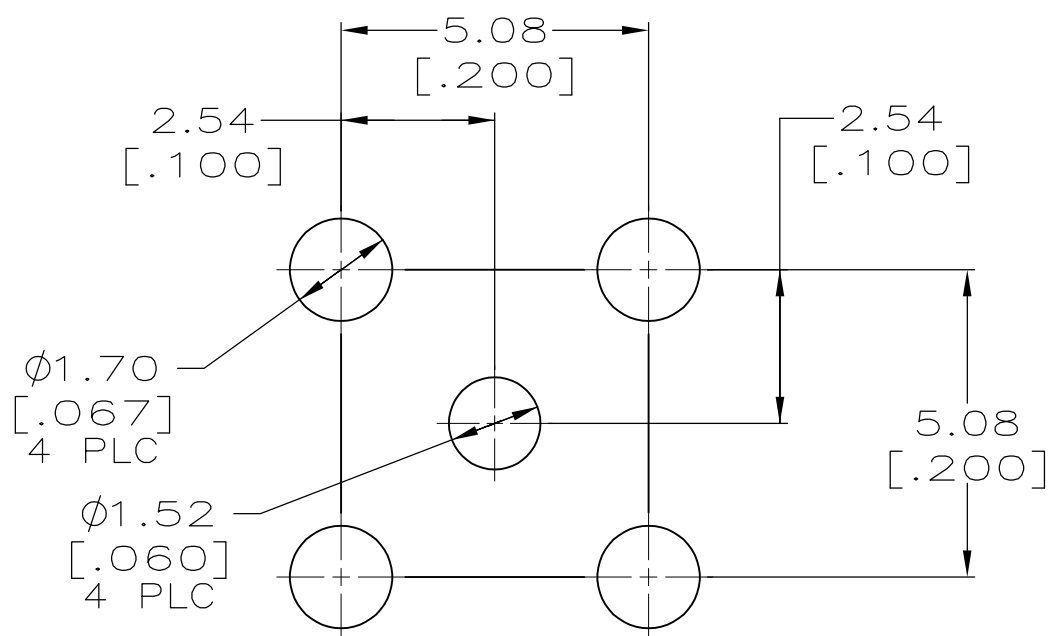
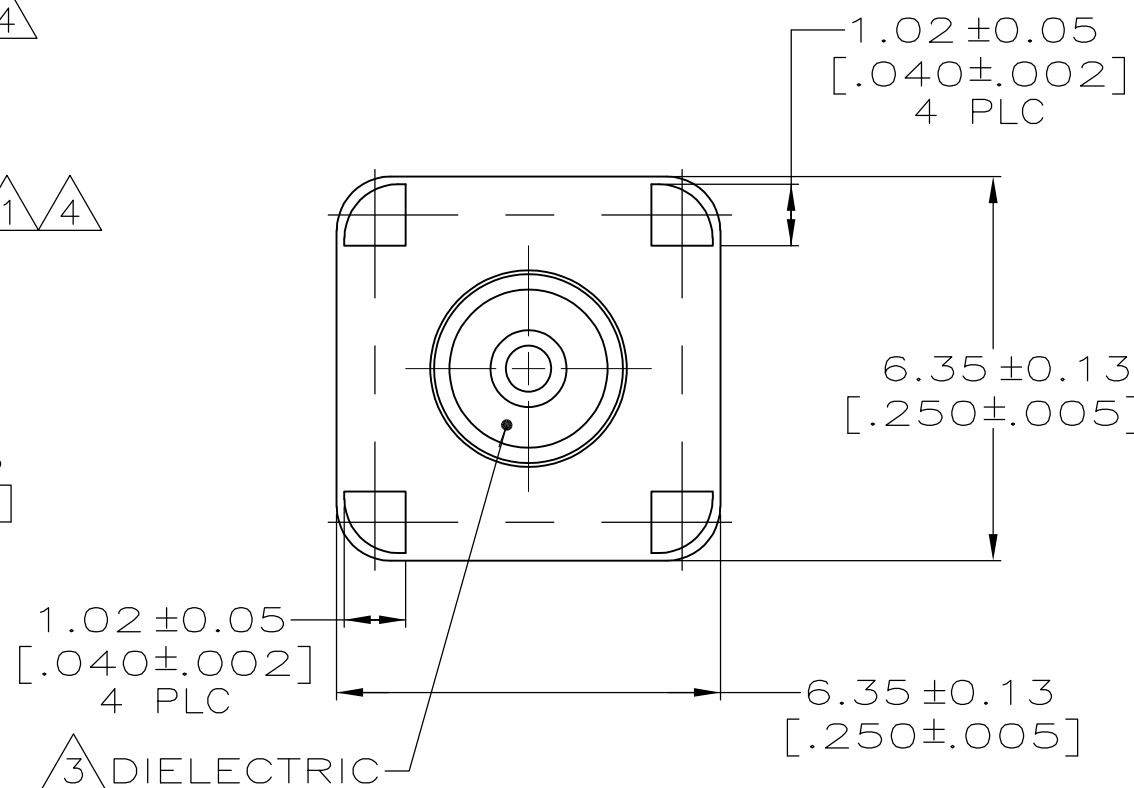
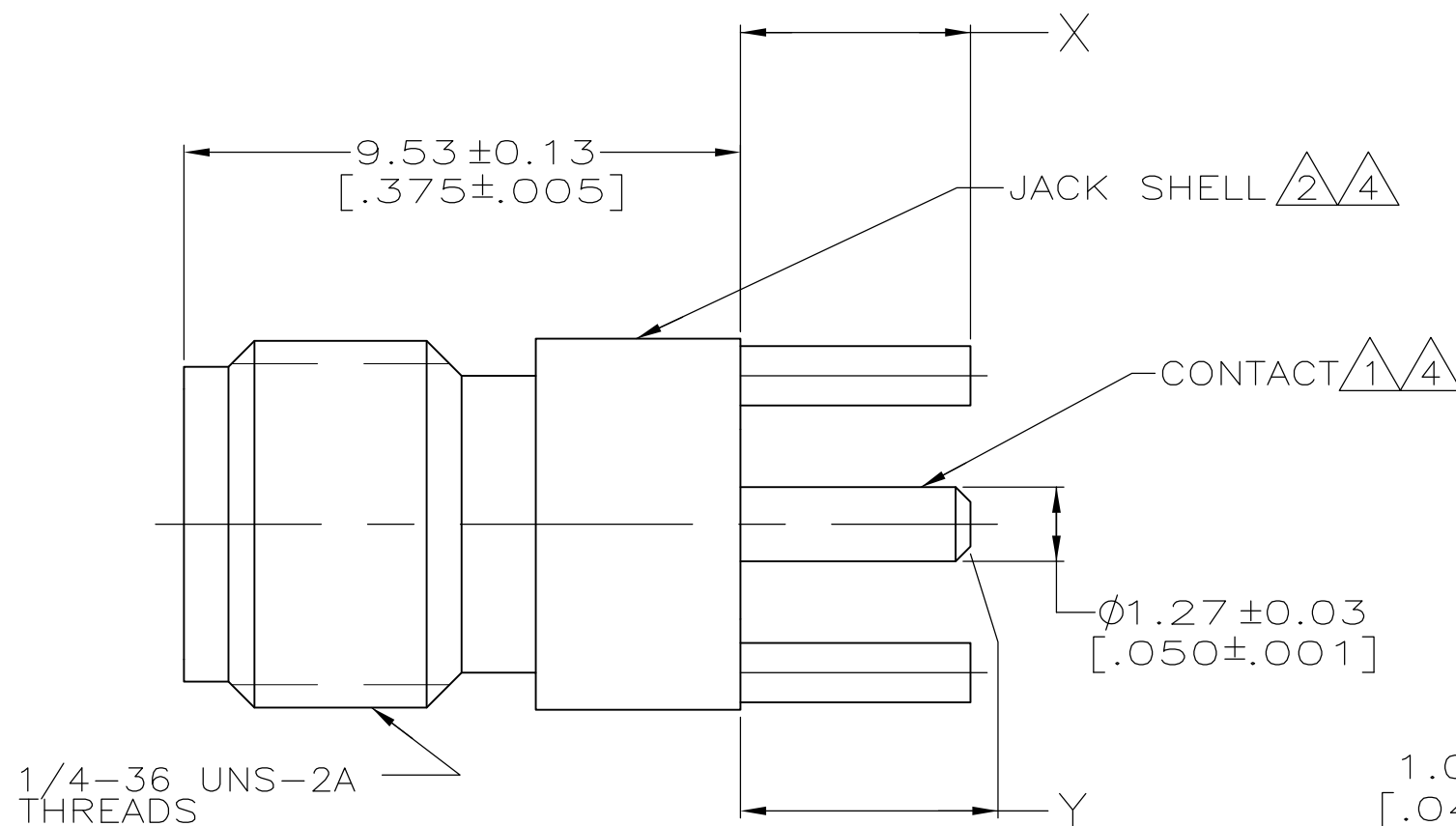


THIS DRAWING IS UNPUBLISHED. RELEASED FOR PUBLICATION
 © COPYRIGHT - By - ALL RIGHTS RESERVED.

LOC	DIST	REVISIONS			
P	LTR	DESCRIPTION	DATE	DWN	APVD
AJ	16	F	ECR-12-017548	07JUN13	AM MY

- ① BERYLLIUM COPPER PER ASTM-B-197.
- ② BRASS PER ASTM-B-16.
- ③ PTFE, PER ASTM-D-1710.
- ④ GOLD PLATE PER MIL-G-45204.
- ⑤ PACKAGED ON TAPE & REEL PER EIA-STD481 WITH SOLDER LEGS DOWN.



RECOMMENDED PCB CONFIGURATION

OBSOLETE	⑤	Y		X		PART NUMBER
		2.67 ^{+0.25} / _{-0.15} [.105 ^{+0.010} / _{-.006}]	2.67 ± 0.13 [.105 ± 0.005]	2.67 ^{+0.25} / _{-0.15} [.105 ^{+0.010} / _{-.006}]	2.67 ± 0.13 [.105 ± 0.005]	
		3.94 [.155]	3.94 ± 0.25 [.155 ± 0.010]			221789-3
						221789-1

THIS DRAWING IS A CONTROLLED DOCUMENT.		DWN B. MOYER 25NOV97	TE Connectivity			
DIMENSIONS: mm [INCHES]		CHK J. CABARLO 25NOV97				
TOLERANCES UNLESS OTHERWISE SPECIFIED:		APVD J. CABARLO 25NOV97	NAME JACK, VERTICAL, PCB, SMA SERIES			
0 PLC ± - 1 PLC ± - 2 PLC ± 0.08 [.003] 3 PLC ± - 4 PLC ± - ANGLES ± -		PRODUCT SPEC -	APPLICATION SPEC -			
MATERIAL ① ② ③		FINISH ④	SIZE A3	CAGE CODE 00779	DRAWING NO C-221789	RESTRICTED TO -
CUSTOMER DRAWING			SCALE 8:1	SHEET 1 OF 1	REV F	