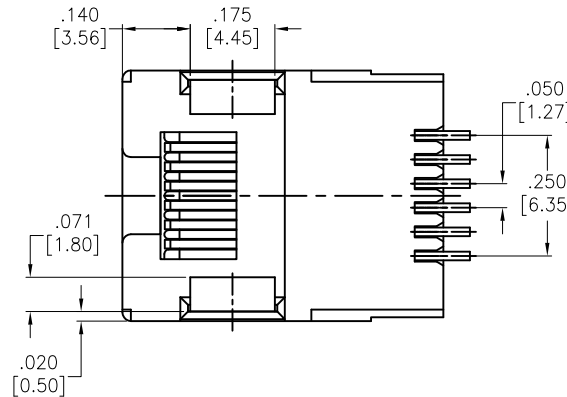
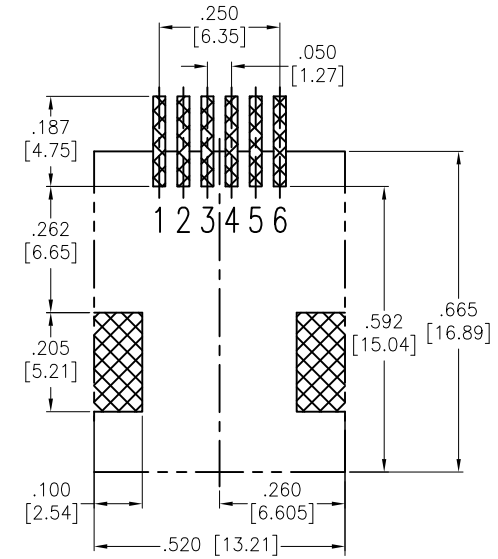
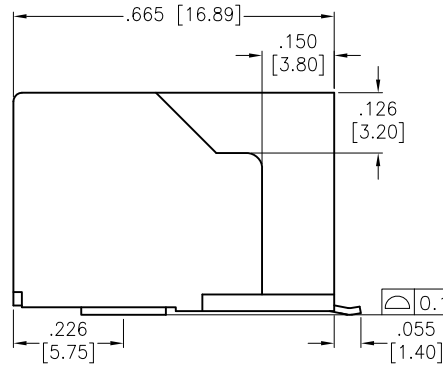
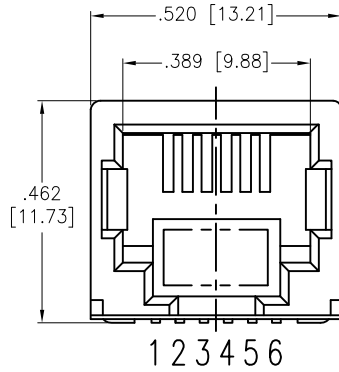


APPROVED: _____
 DATE: _____ TITLE: _____

Rev	AWO #	Description	Date	Appr
-		RELEASED	6/26/06	
A		REDRAWN	06/20/13	
B		UPDATE SPEC.	6/20/19	LH/TW
C		UPDATE DRAWING	5/4/20	AY/KL



RECOMMENDED PCB LAYOUT

SPECIFICATIONS:

Material:
 Insulator: Hi-temp thermoplastic, rated UL 94V-0
 Insulator color: Black
 Contacts: Phosphor Bronze
 Hold Down: Copper Alloy, Tin plated
 Plating:

Gold over Nickel underplate on contact area
 Gold flash over Nickel underplate on solder tails
 Electrical:

Voltage Rating: 150 VAC max
 Current rating: 1.5 Amps max
 Contact Resistance: 20 mohms max.
 Insulation resistance: 500 Mohms min @500 VDC
 Dielectric withstanding voltage: 1000 Vrms for 1 minute
 Temperature Rating:
 Operating temperature: -40°C to +85°C
 Environmental:
 Lead free, RoHS compliant.



UNLESS OTHERWISE SPECIFIED ALL DIMENSIONS ARE INCHES TOLERANCES: EXCEPT AS NOTED			
INCHES		HOLES	
.X	± .10	Ø.X	± .10
.XX	± .020	Ø.XX	± .015
.XXX	± .015	Ø.XXX	± .010
APPROVALS		DATE	
DRAWN	SS	6/26/06	
CHECKED			
APPROVED			

ADAM TECH INTERCONNECTS
 909 Rahway Avenue,
 Union, NJ 07083
 Phone: 908-687-5000
 Fax: 908-687-5710

TITLE MODULAR TELEPHONE JACK, 6P6C SMT, COLOR BLACK, X GOLD			
SIZE X	PART NO. MTJ-66WAX1	REV. C	
REF: S00065T	SCALE: NTS	SHEET 1 OF 1	